

FLOS

KTRIBE S3

Aiming	Fixed
Mounting	Pendant
Type of ceiling pendant	Suspension cable
Lamps description	1 x MAX 205W E27 HSGS or 1 LED 21W E27 2450lm 3000K
Environment	Indoor
Finish	Aluminized bronze, Aluminized silver, Fumée, Transparent
Technical description	Suspension lamp providing diffused light. PC (polycarbonate) inner diffuser, with opal white finish. Outer diffusers in transparent or fumée PMMA (polymethylmethacrylate), and silver or bronze on the inner surface, by vacuum aluminum coating. Three stainless steel cables, length 4000 mm for suspension of the diffuser assembly. White ceiling rose.

ELECTRICAL

Emergency	Without
Voltage (V)	230

PHYSICAL

Supply	Terminal block
Cord length (mm)	4000
Construction material	PMMA, Polycarbonate
Weight (kg)	4.5



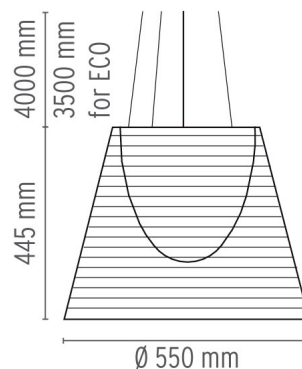
Ktribe S3

designed by Philippe Starck

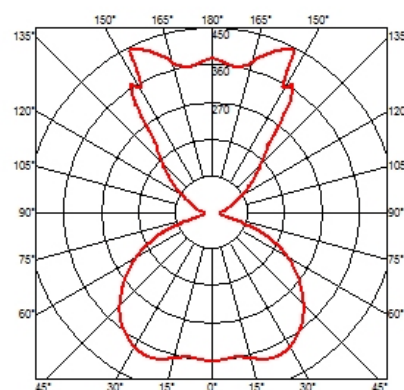
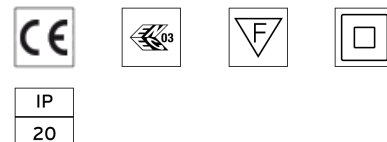
Suspension lamp providing diffused light

● F6258000	Aluminized silver
● F6258046	Aluminized bronze
● F6258000A	Transparent
● F6258030	Fumée

DIMENSIONS



CERTIFICATIONS



Ktribe S3 . Lamps



HSGS 205W E27

Lamp wattage:
205 W

Lamp category:
Halogen mains

Socket:
E27

Lamp type:
HSGS

LED 21W E27 2450lm

Lamp wattage:
21 W

Lamp category:
LED

Socket:
E27

Color temperature (K):
2450 °K

Lamp type:
LED



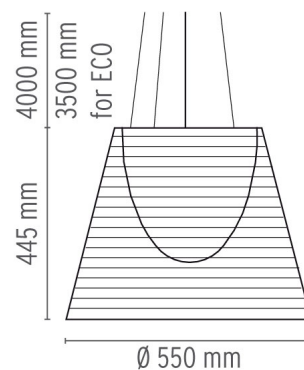
Ktribe S3

designed by Philippe Starck

Suspension lamp providing diffused light

- F6258000 Aluminized silver
- F6258046 Aluminized bronze
- F6258000A Transparent
- F6258030 Fumée

DIMENSIONS



CERTIFICATIONS

