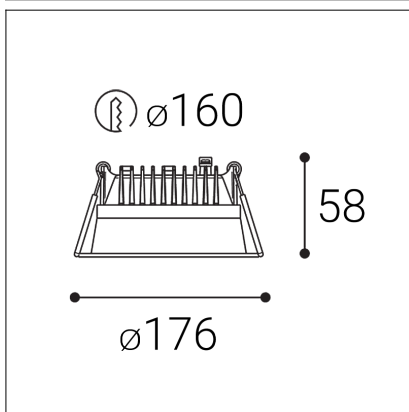


ZETA II M, W



Code:	2550371D
Color:	WHITE / 9003
Material:	ALUMINIUM/PMMA
Power:	23W
Color temperature:	2700K/3000K/4000K
Lumen output:	2530lm
Efficacy:	110lm/W
Color rendering index:	90+
SDCM:	< 3
Light beam angle:	90°
Unified Glare Rating:	< 19
Light Source:	LED
Dimmable:	DALI/PUSH
LED lifetime:	L80B20 50.000h
Driver:	600 mA
Voltage / Frequency:	220-240V AC, 50-60Hz
Max. units per circuit output:	B10:22, B13:29, B16:35, B20:44, C10:31, C13:41, C16:50, C20:63
Dimensions luminaire:	d176x58 mm
Product weight kg:	0.75
Packing carton:	1
Package dimensions:	255x200x80 mm
Remark:	loop-in/loop-out

