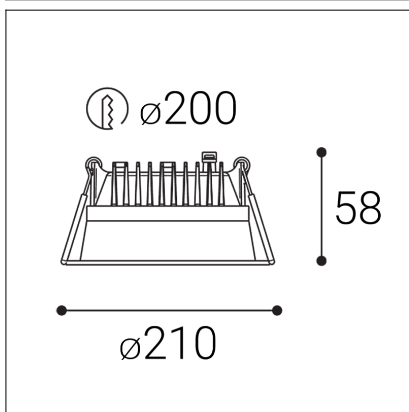


ZETA II L, B



Code:	2550473D
Color:	BLACK / 9005
Material:	ALUMINIUM/PMMA
Power:	27W
Color temperature:	2700K/3000K/4000K
Lumen output:	2970lm
Efficacy:	110lm/W
Color rendering index:	90+
SDCM:	< 3
Light beam angle:	90°
Unified Glare Rating:	< 19
Light Source:	LED
Dimmable:	DALI/PUSH
LED lifetime:	L80B20 50.000h
Driver:	700 mA
Voltage / Frequency:	220-240V AC, 50-60Hz
Max. units per circuit output:	B10:22, B13:29, B16:35, B20:44, C10:31, C13:41, C16:50, C20:63
Dimensions luminaire:	d210x58 mm
Product weight kg:	1
Packing carton:	1
Package dimensions:	295x230x90 mm
Remark:	loop-in/loop-out

