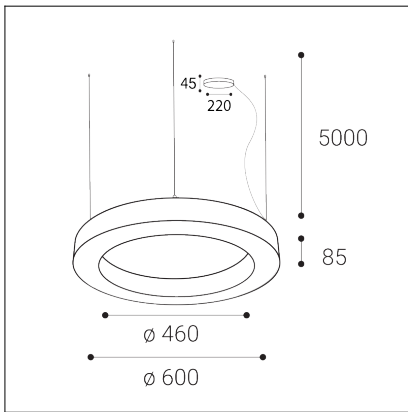


SATURN SLIM II 60 P/N-Z, W



Code:	3276371D
Color:	WHITE / 9003
Material:	ALUMINIUM/PMMA
Power:	60W (40+20)
Color temperature:	2700K/3000K/4000K
Lumen output:	2800+1400lm
Efficacy:	70lm/W
Color rendering index:	90+
SDCM:	< 3
Light beam angle:	90°
Unified Glare Rating:	< 19
Light Source:	LED
Dimmable:	DALI/PUSH
LED lifetime:	L80B20 50.000h
Driver:	1050 + 500 mA
Voltage / Frequency:	220-240V AC, 50-60Hz
Dimensions luminaire:	d600x85 mm
Product weight kg:	5.3
Length suspension:	5000 mm
Package dimensions:	650x650x120 mm

