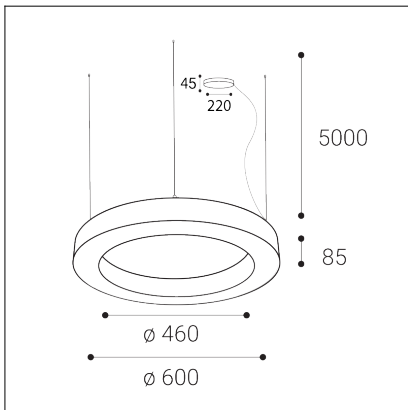


# SATURN SLIM II 60 P/N-Z, B



<b>Code:</b>	3276373D
<b>Color:</b>	BLACK / 9017
<b>Material:</b>	ALUMINIUM/PMMA
<b>Power:</b>	60W (40+20)
<b>Color temperature:</b>	2700K/3000K/4000K
<b>Lumen output:</b>	2800+1400lm
<b>Efficacy:</b>	70lm/W
<b>Color rendering index:</b>	90+
<b>SDCM:</b>	< 3
<b>Light beam angle:</b>	90°
<b>Unified Glare Rating:</b>	< 19
<b>Light Source:</b>	LED
<b>Dimmable:</b>	DALI/PUSH
<b>LED lifetime:</b>	L80B20 50.000h
<b>Driver:</b>	1050 + 500 mA
<b>Voltage / Frequency:</b>	220-240V AC, 50-60Hz
<b>Dimensions luminaire:</b>	d600x85 mm
<b>Product weight kg:</b>	5.3
<b>Length suspension:</b>	5000 mm
<b>Package dimensions:</b>	650x650x120 mm

