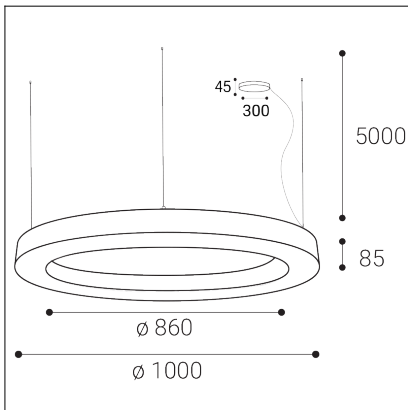


SATURN SLIM II 100 P/N-Z, W



Code:	3276571D
Color:	WHITE / 9003
Material:	ALUMINIUM/PMMA
Power:	120W (80+40)
Color temperature:	2700K/3000K/4000K
Lumen output:	8800+4400lm
Efficacy:	110lm/W
Color rendering index:	90+
SDCM:	< 3
Light beam angle:	90°
Unified Glare Rating:	< 19
Light Source:	LED
Dimmable:	DALI/PUSH
LED lifetime:	L80B20 50.000h
Driver:	2x 1050 + 1050 mA
Voltage / Frequency:	220-240V AC, 50-60Hz
Dimensions luminaire:	d1000x85 mm
Product weight kg:	9.5
Length suspension:	5000 mm
Package dimensions:	1060x1060x120 mm

