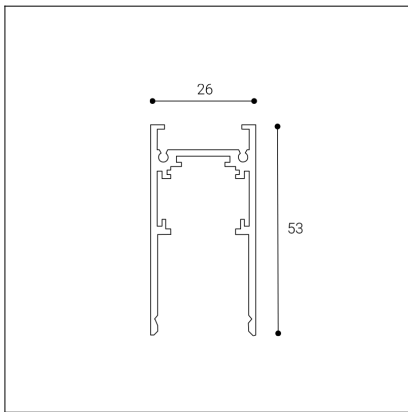


MAG II TRACK 2M, B



Code: 6522903

Color: BLACK / 9005

Material: ALUMINIUM

Dimmable: DALI

Voltage / Frequency: 48V DC

Dimensions luminaire: 2000x26x53 mm

Product weight kg: 2 kg

Packing carton: 10

Package dimensions: 2003x28x53 mm

