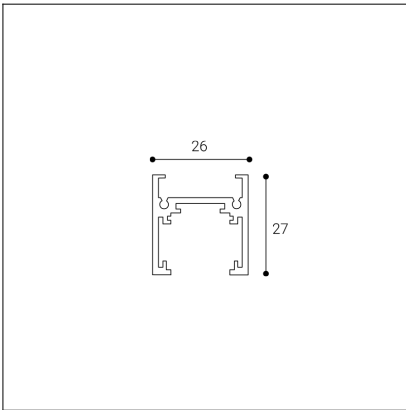
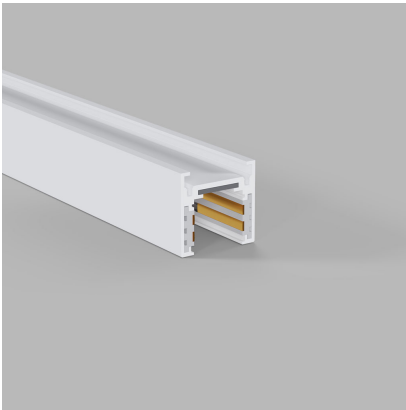


MAG II LOW TRACK 2M, W



Code: 6529901
Color: WHITE / 9003
Material: ALUMINIUM
Dimmable: DALI
Voltage / Frequency: 48V DC
Dimensions luminaire: 2000x26x27 mm
Product weight kg: 0,7 kg
Packing carton: 12
Package dimensions: 2003x28x28 mm

