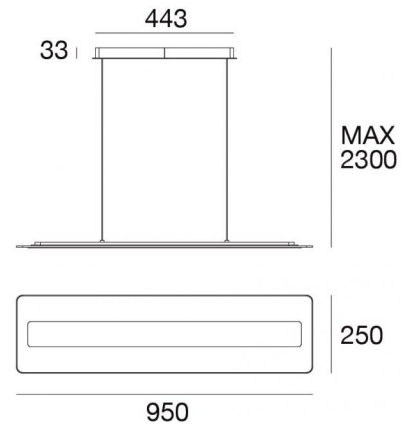




Pendant Luminaires | 220-240 V
272 stripLED 44 W DC - 45 W AC | CRI 90
8937



Technical data	
Construction year	2019
Type	Pendant Luminaires
Installation position	Ceiling
Installation environment	Indoor
Light Source	LED
Total Power	45 W
Source lumens	5174 lm
Voltage	220 - 240 V AC
Frequency	60 - 50 Hz
CCT / Tone	3000 K
Colour rendering index	90 Ra
C.C. / C.V.	AC
Safety class	1
IP	IP20
Glow wire test	650°
Direct mounting on normally flammable surfaces	Yes
CE	Yes
Driver included	Driver
Dimmable article	No
Directional	No
Tilting	No
Walk-over	No
Drive-over	No
Cable included	Yes
Cable length	2.3 m
Resin potting	No
Type of light emission	Double emission
Net weight	5,5 Kg
Electrostatic discharge protection	No
Surge protection	No

Finishing casing

Material	Iron
Colour	chrome
Processing	Electroplating

Finishing diffuser

Material	Glass
Colour	transparent
Processing	Sandblasting

Finishing mounting frame

Material	Iron
Colour	Embossed white RAL 9003
Processing	Powder coating



Pendant Luminaires | 220-240 V | 272 stripLED 44 W DC - 45 W AC | CRI 90 | Base 8937

Double emission pendant luminaires for indoor application. The warm white LED light source with a diffused light distribution is composed of 272 striped LEDs with CCT of 3000 K and a CRI 90; the source luminous flux is 5174 lm, with a 117.6 lm/W nominal luminous efficacy.

The device body is made of iron and features a chrome finish, processed by means of electroplating; the diffuser is made of glass with a sandblasting treatment; the mounting frame is made of iron, with an embossed white ral 9003 finish, processed by means of powder coating. The ingress protection degree is IP20; the total weight is of 5,5 kg.

The total absorbed power is 45 W. The power supply cable is included and features a 2.3 m length.

The device features protection class I and can be ceiling-mounted.

Compliant with the EN 60598-1 standard and its specific provisions.

Energy efficiency class

This product contains 2 light sources of energy efficiency class D.

Illuminotechnical Features

Light Output Ratio (LOR)	82 %
Source lumens	5174 lm
Delivered lumens	4278 lm
Consumption	45 W
Luminaire efficacy	95 lm/W
Colour temperature	3000 K
Standard Deviation of Colour Matching	3 Step MacAdam
Colour rendering index	90 Ra
Junction temperature (lighting fixture)	80

Standard Operating Ambient Temperature 25°C

LED Life / Failure Ratio

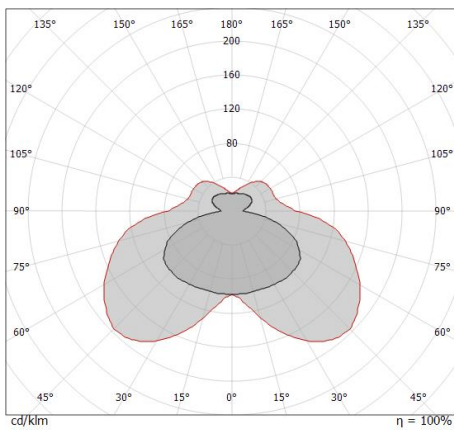
L70 B20 C0 72500h

UGR

UGR axial	21.3
UGR transversal	26.2
X=4H Y=8H	S=0.25H
Reflection factor	70/50/20

OPTICAL

C90/C270 optics	154°
C0/C180 optics	172°
Light distribution symmetry	Symmetrical 2 axis



Distance [m]	Cone diameter [m]	illuminance [lx]	E(0°)	E(C90)	E(C0)
0.5	4.26 13.95	1675 10 1	76.8°	85.9°	85.9°
1.0	8.53 27.90	419 3 0	76.8°	85.9°	85.9°
1.5	12.79 41.85	186 1 0	76.8°	85.9°	85.9°
2.0	17.05 55.80	105 1 0	76.8°	85.9°	85.9°
2.5	21.32 69.75	67 0 0	76.8°	85.9°	85.9°
3.0	25.58 83.70	47 0 0	76.8°	85.9°	85.9°

Distance [m] Cone diameter [m] illuminance [lx]

— C0/C180 (Half-peak divergence: 171.8°)
— C90/C270 (Half-peak divergence: 153.6°)