



### Safety Instructions

1, 2, 3, 4, 5, 6, 7, 10, 12, 13, 15, 16,  
19, 20, 21, 22, 24, 28, 33, 34



Info

[www.paulmann.com](http://www.paulmann.com)

Paulmann Licht GmbH  
Quezinger Feld 2  
31832 Springe  
Germany

[www.paulmann.com](http://www.paulmann.com)

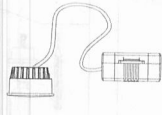
Art.-Nr.: 934.82/83  
934.84/85  
934.88/89  
934.90/86  
934.87/91  
934.92  
(+MA326) PSU 07/18



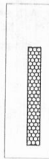
934.82/934.84



1x



1x

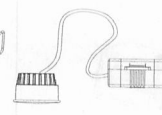


Incl.

934.83/934.85/934.88



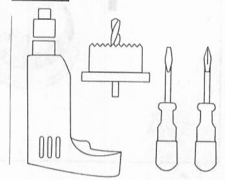
3x



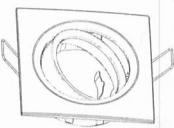
3x



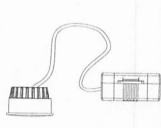
Incl.



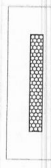
934.89



1x

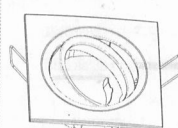


1x

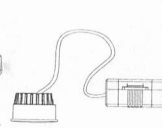


Incl.

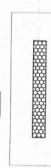
934.90



3x

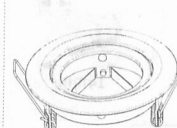


3x

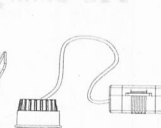


Incl.

934.86



1x

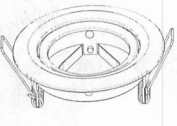


1x

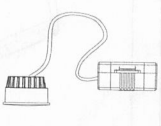


Incl.

934.87



3x

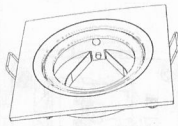


3x

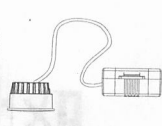


Incl.

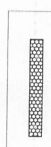
934.91



1x

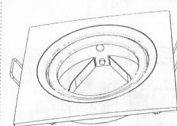


1x

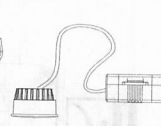


Incl.

934.92



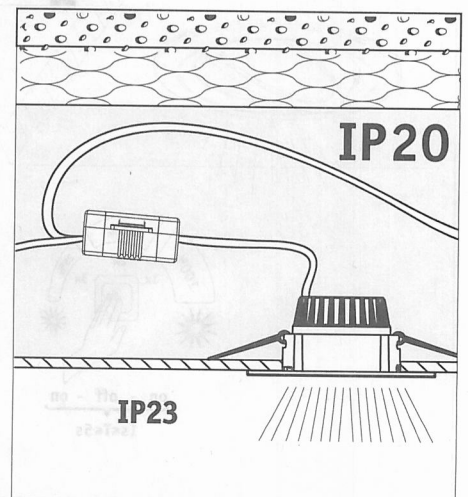
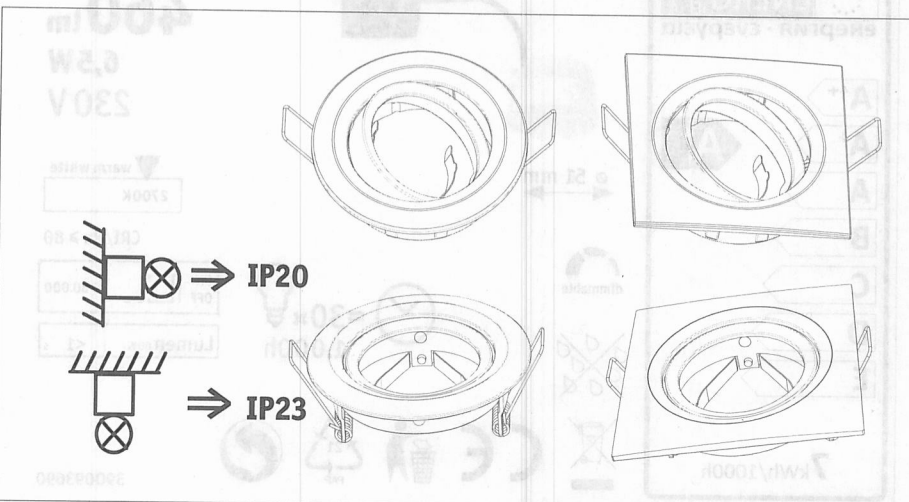
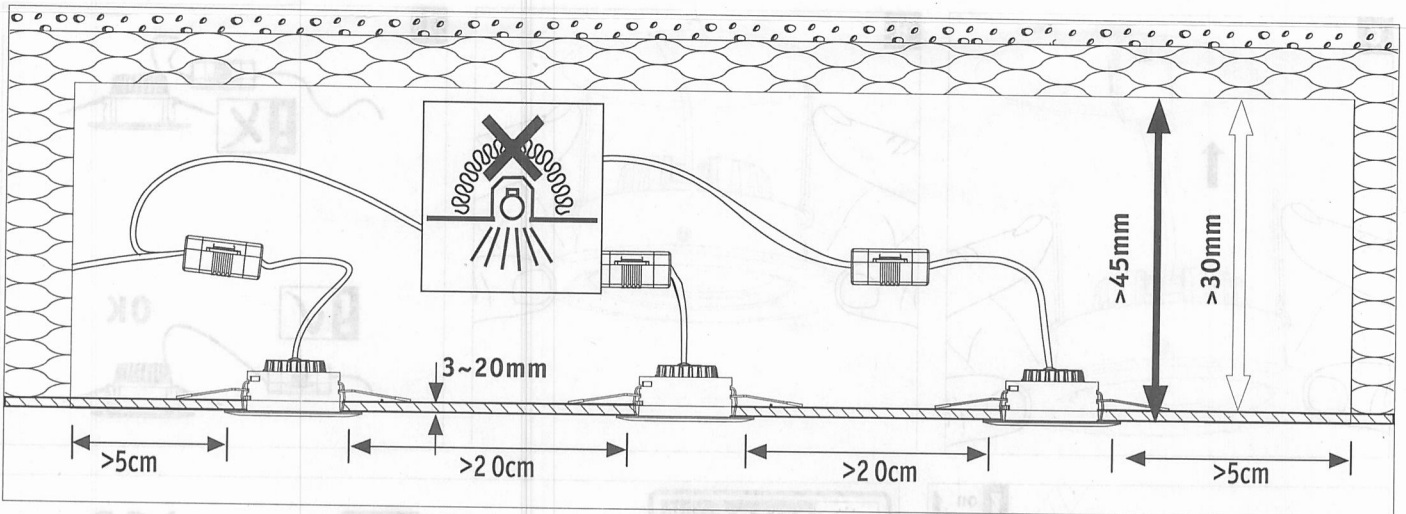
3x

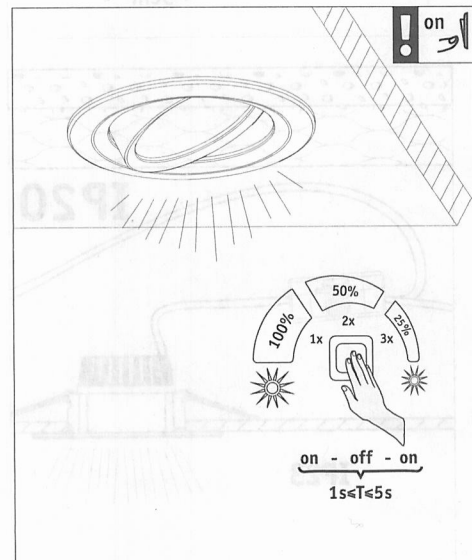
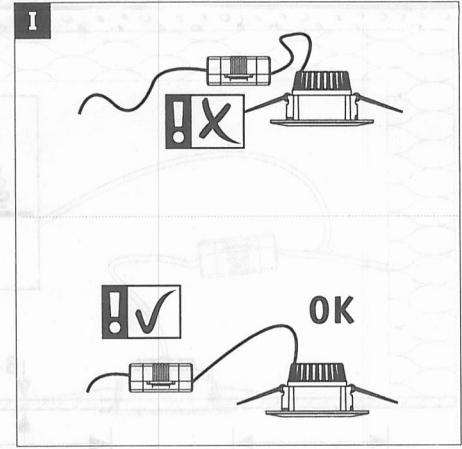
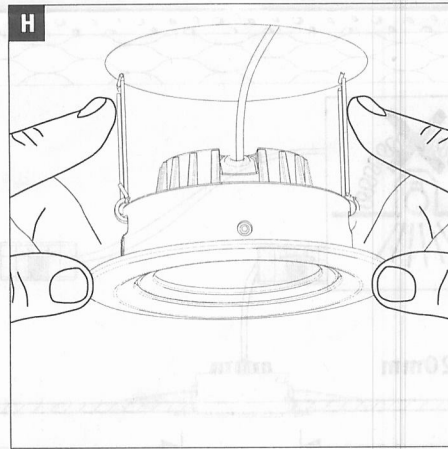
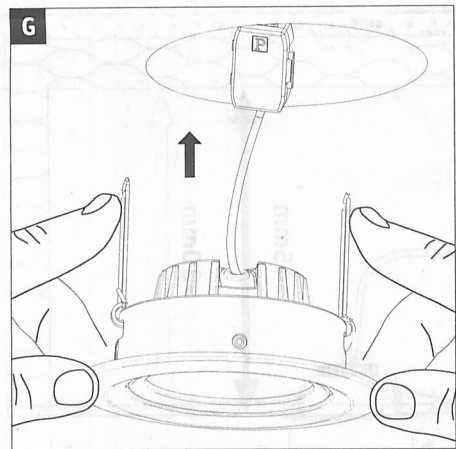
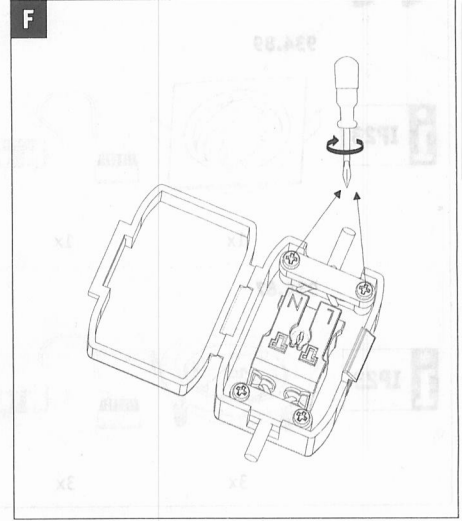
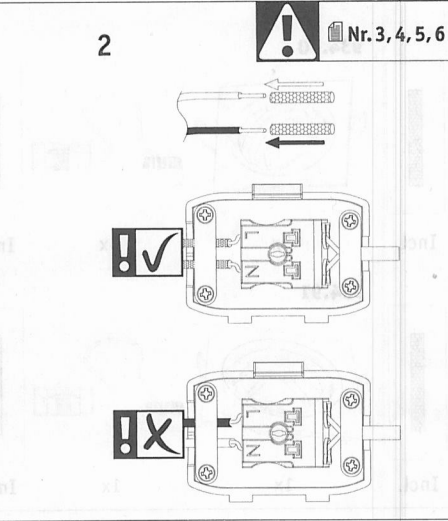
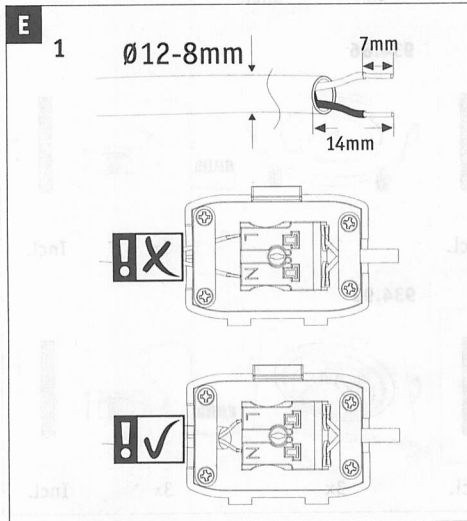
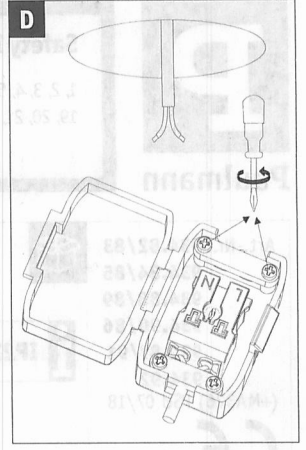
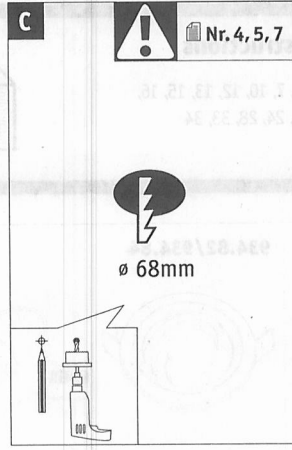
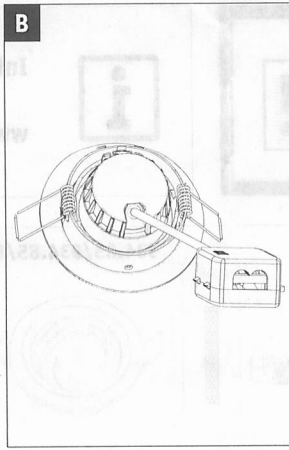
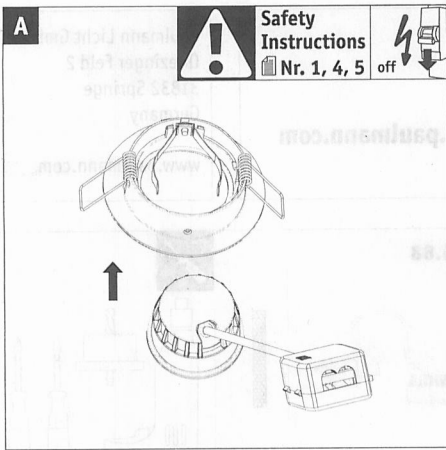


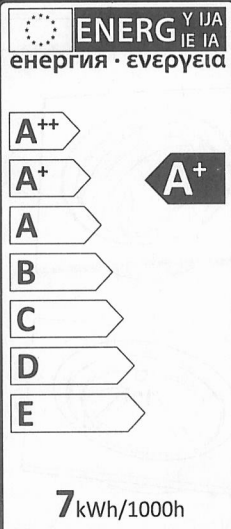
3x



Incl.







**ENERGY LABEL**  
 Y IJA  
 IE IA  
 енергия · ενεργεια

A++  
 A+ **A+**  
 A  
 B  
 C  
 D  
 E

7 kWh/1000h



$\varnothing 51\text{ mm}$

dimmable

$\approx 30 \times$   
1.000h

**460 lm**  
 6,5W  
 230V

warm white  
 2700K

CRI/Ra  $\geq 80$

ON OFF   $\geq 50.000$

Lumen 60%  $< 1\text{ s}$

CE  

390093690