



Safety Instructions

1, 2, 3, 4, 5, 6, 7, 10, 12, 13, 15, 16,
19, 20, 21, 22, 24, 28, 33, 34



Info

www.paulmann.com

Paulmann Licht GmbH
Quezinger Feld 2
31832 Springe
Germany

www.paulmann.com

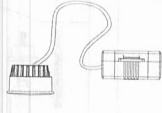
Art.-Nr.: 934.82/83
934.84/85
934.88/89
934.90/86
934.87/91
934.92
(+MA326) PSU 07/18



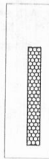
934.82/934.84



1x



1x

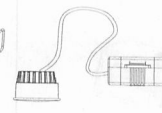


Incl.

934.83/934.85/934.88



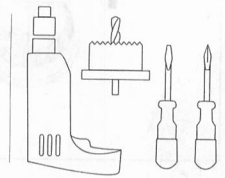
3x



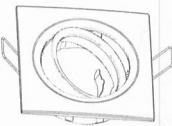
3x



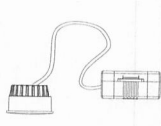
Incl.



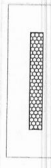
934.89



1x

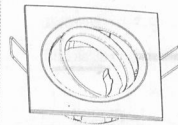


1x

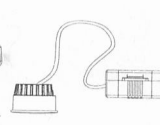


Incl.

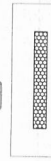
934.90



3x

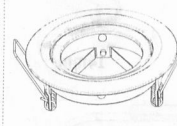


3x

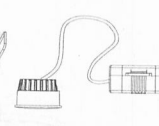


Incl.

934.86



1x

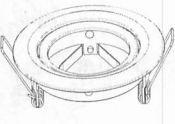


1x

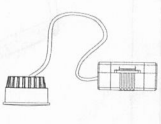


Incl.

934.87



3x

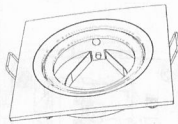


3x

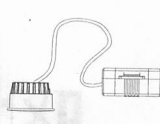


Incl.

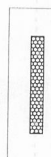
934.91



1x

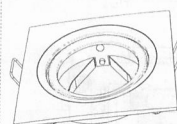


1x

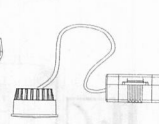


Incl.

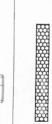
934.92



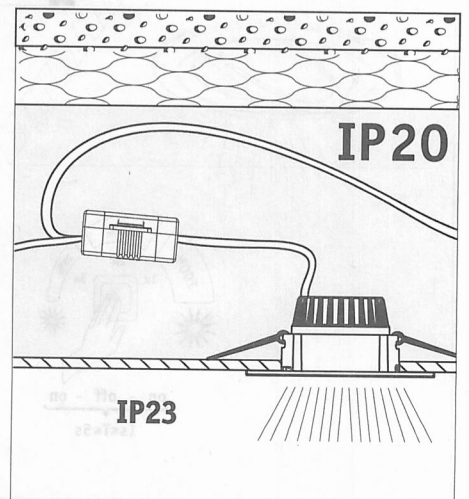
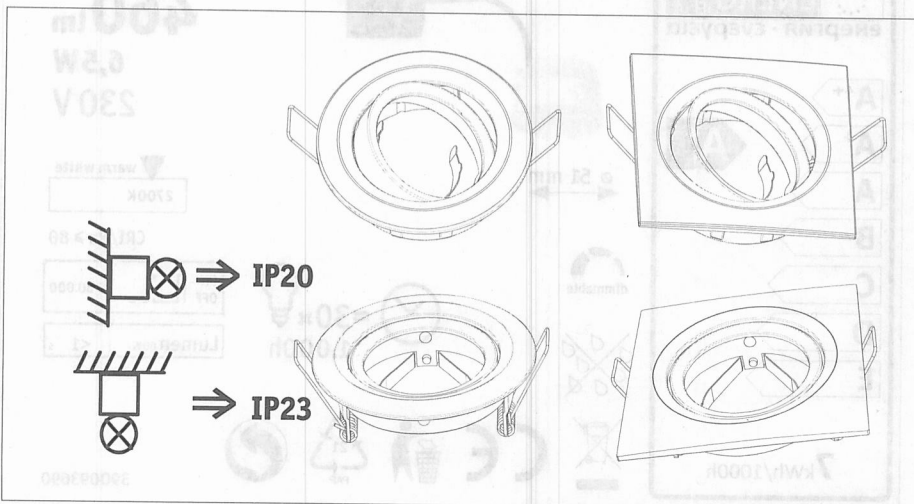
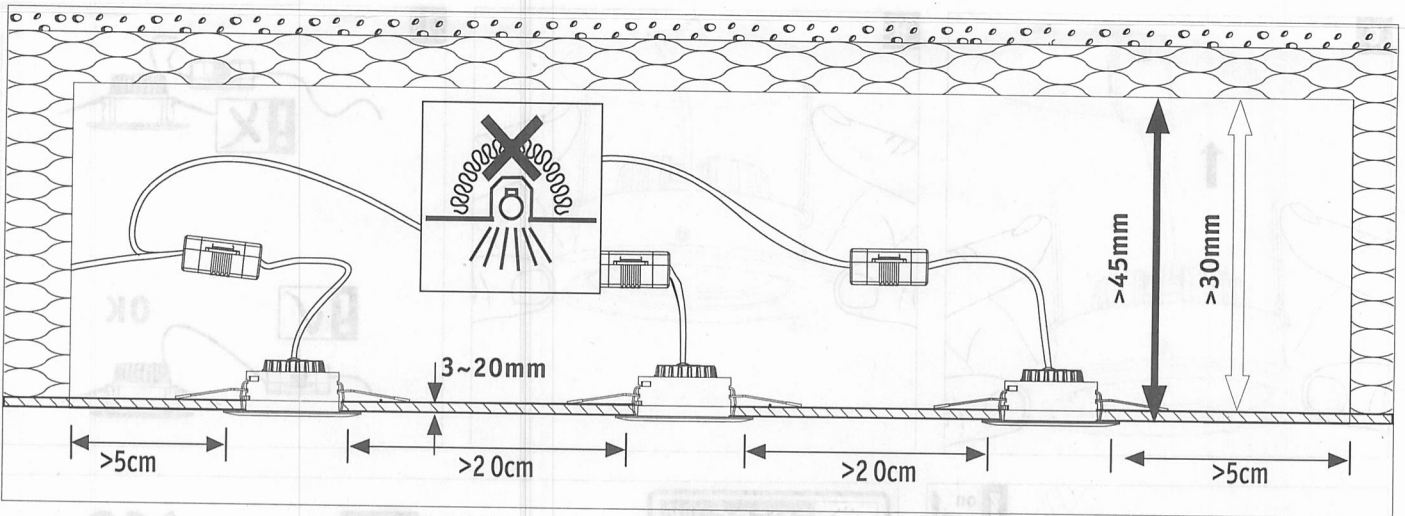
3x

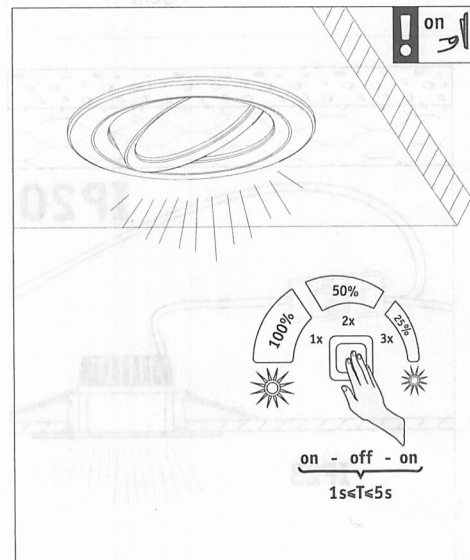
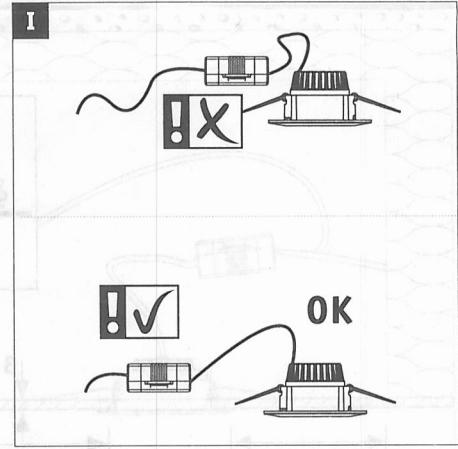
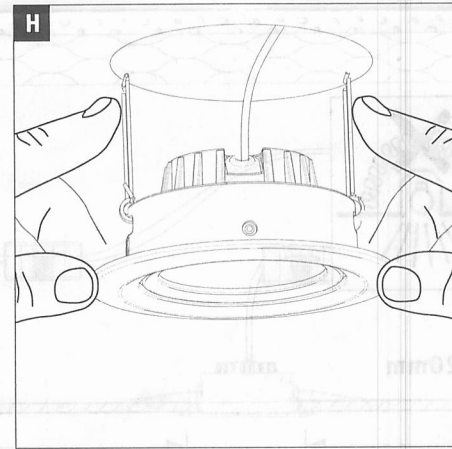
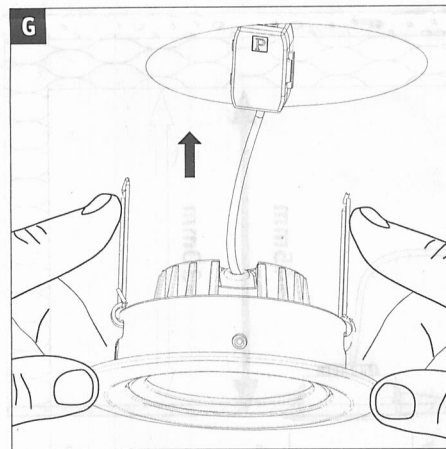
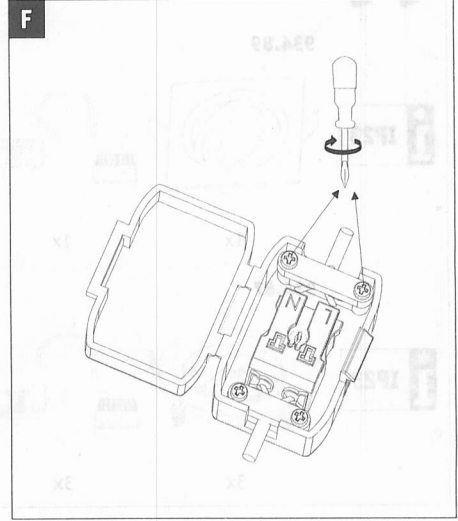
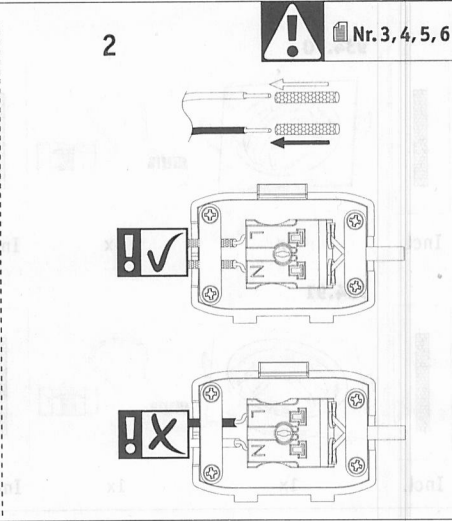
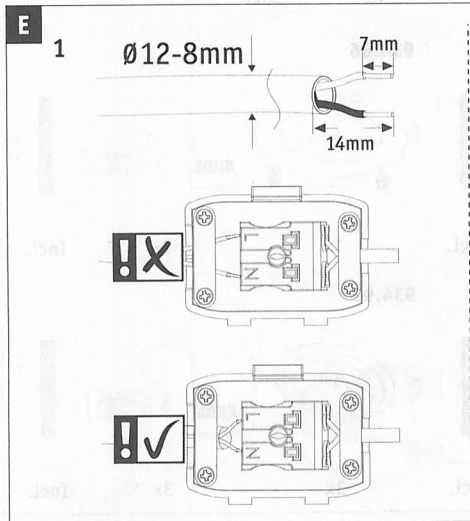
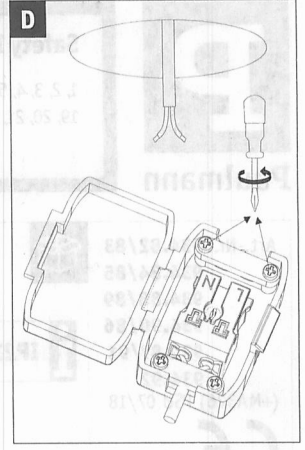
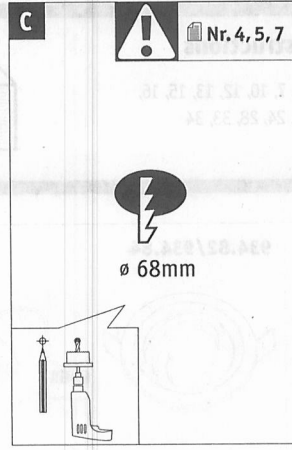
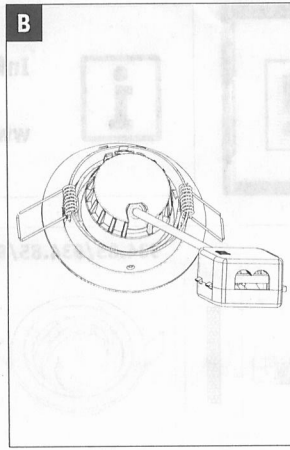
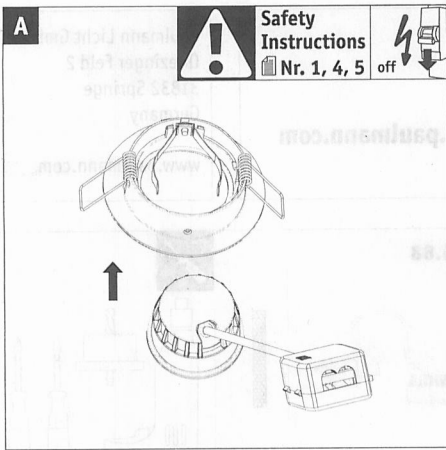


3x



Incl.





ENERG Y IJA IE IA
 енергия · ενεργεια

A++
A+
A
B
C
D
E

A+

7 kWh/1000h

$\varnothing 51\text{mm}$

dimmable

$\approx 30 \times$
 1.000h

460 lm
6,5W
230V

warm white
 2700K

CRI/Ra ≥ 80

ON OFF ≥ 50.000

Lumen 60% $< 1\text{ s}$

CE   

390093690