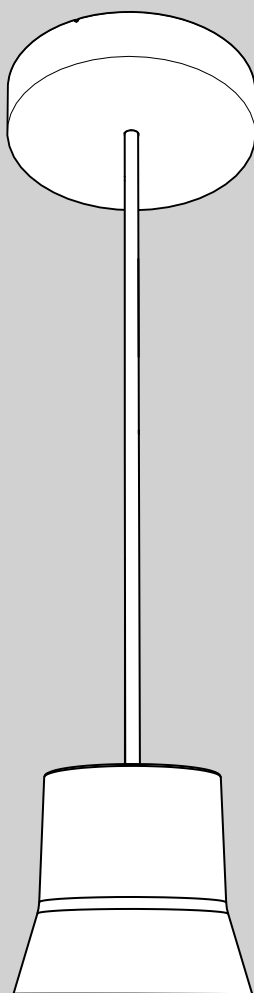
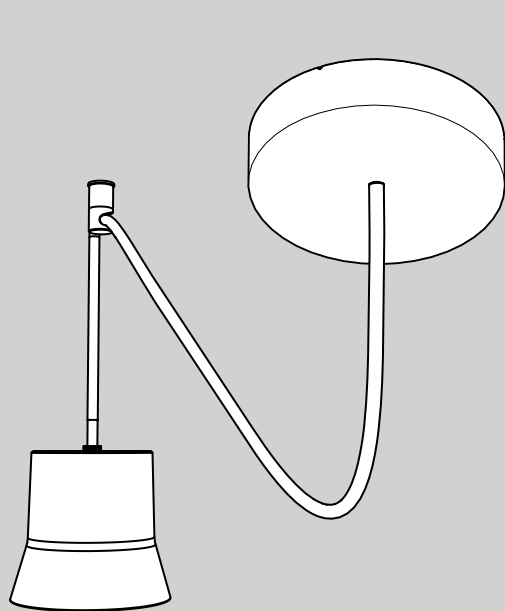


Artemide®

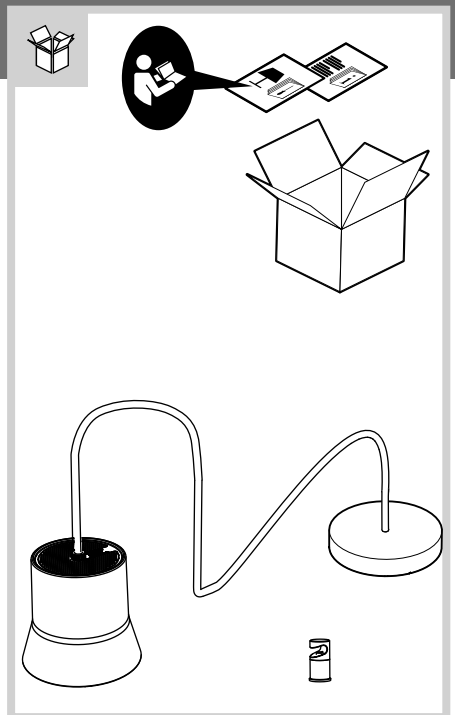
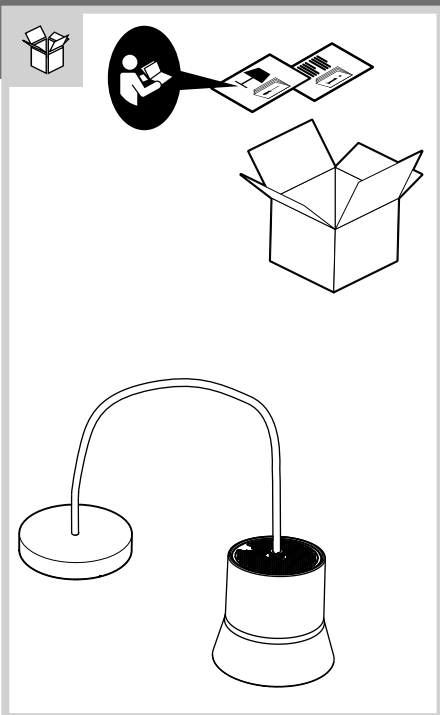
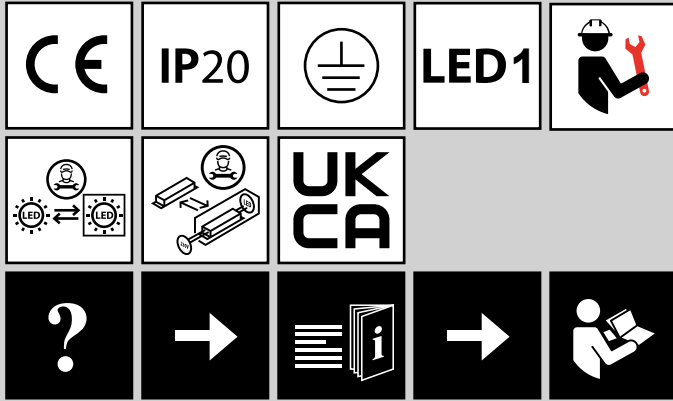
GLO light

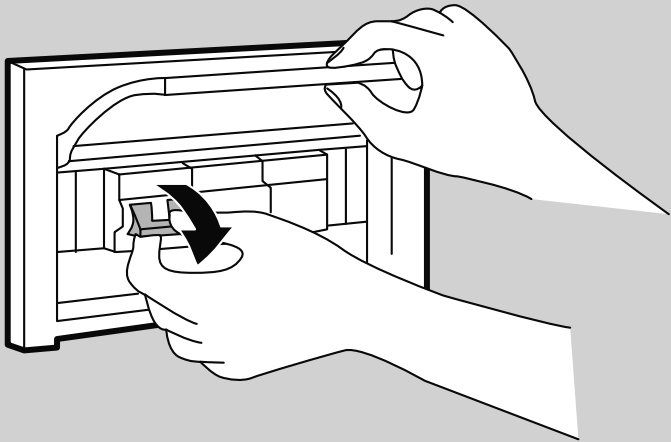
design
Patrick Norguet



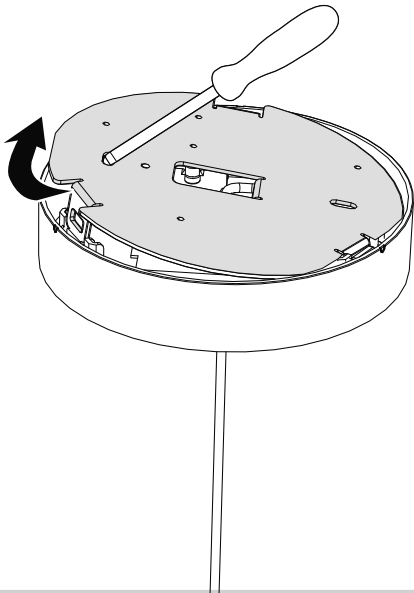


i

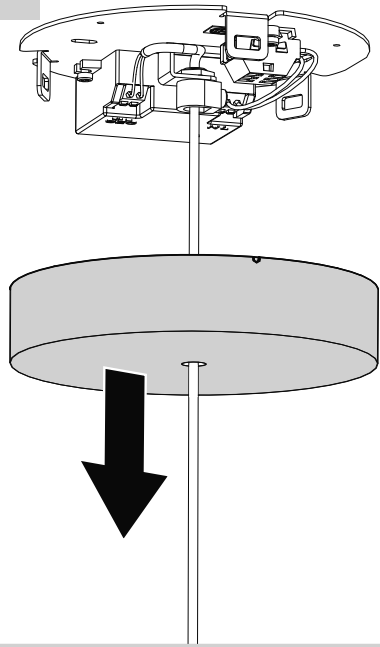


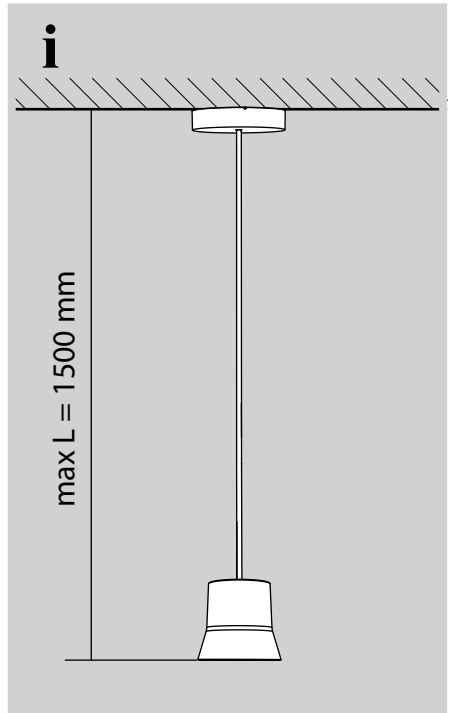
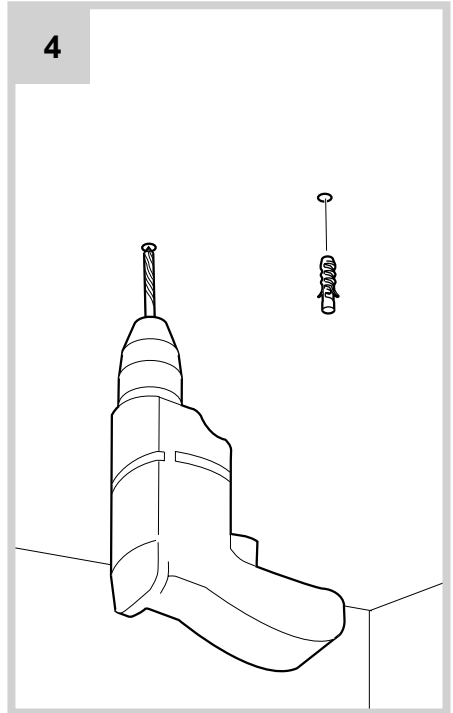
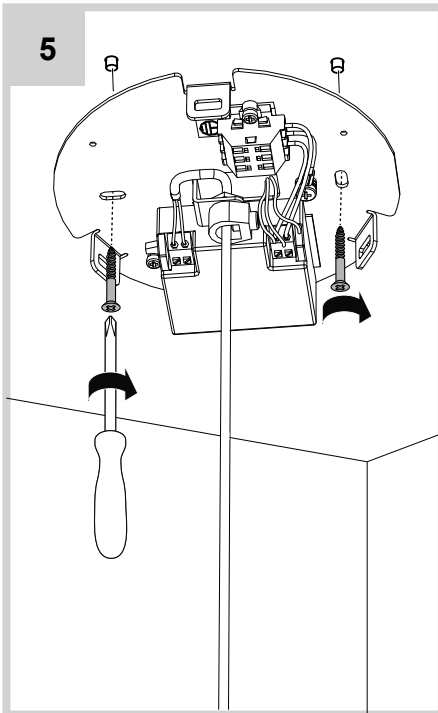
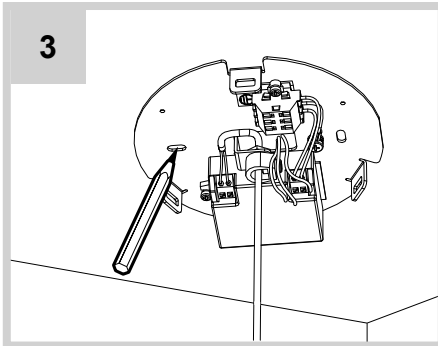
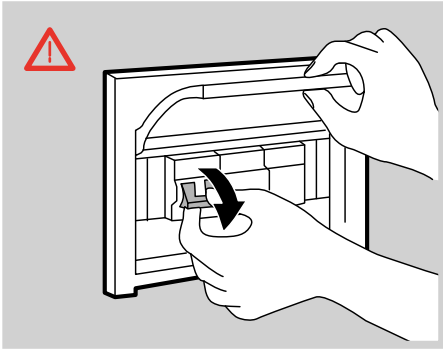


1

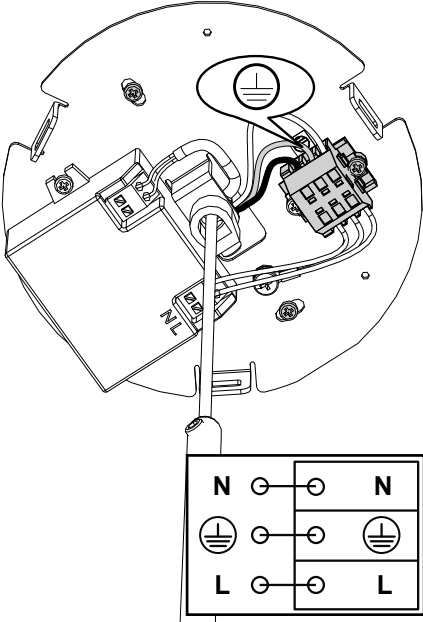


2

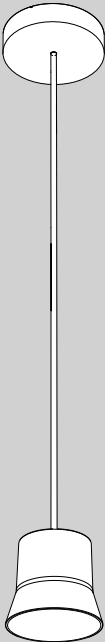
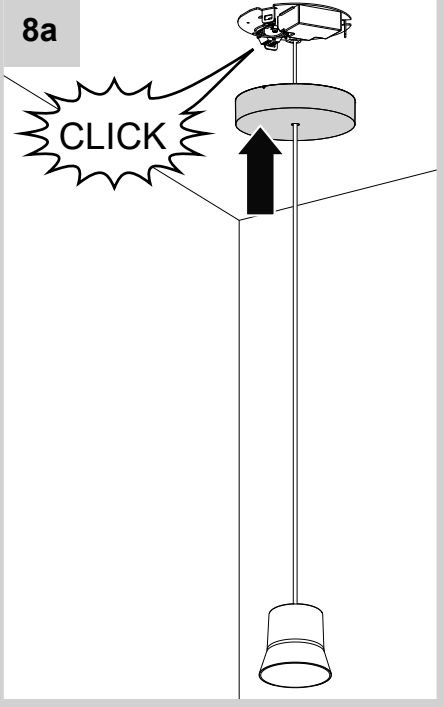




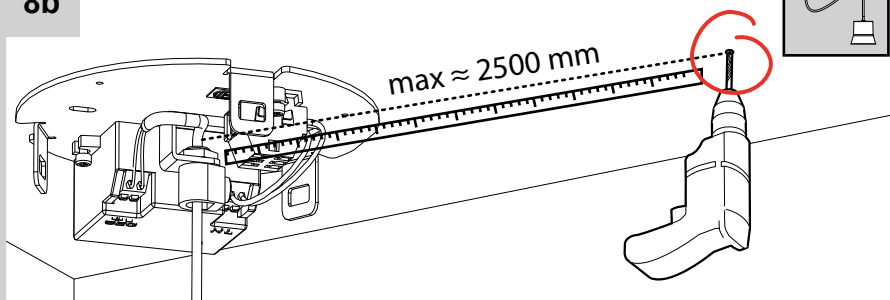
7



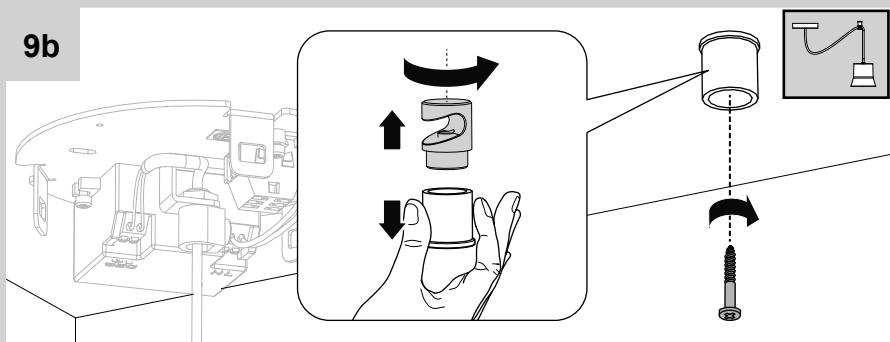
8a



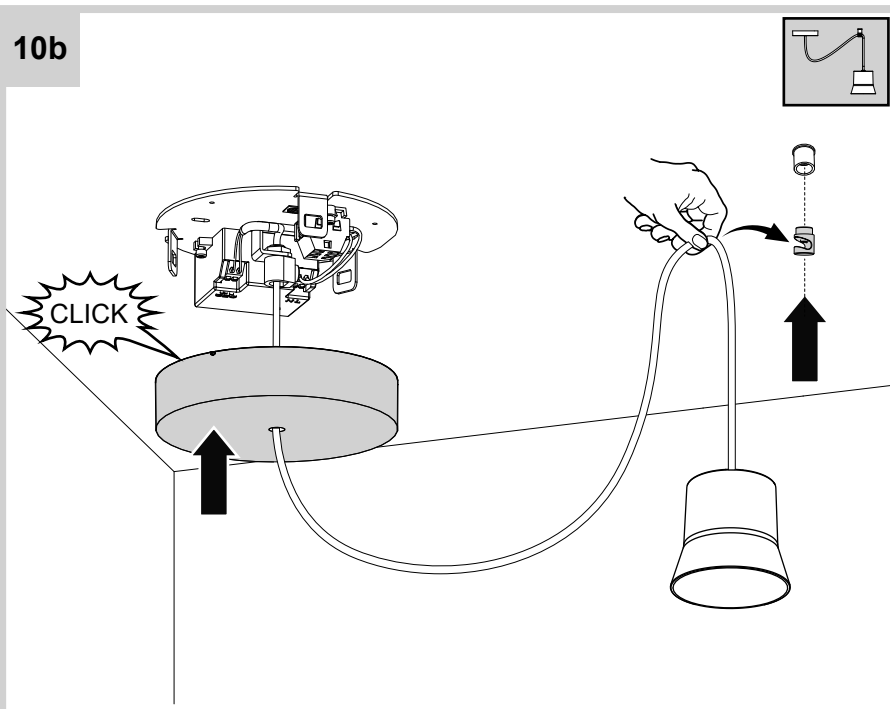
8b



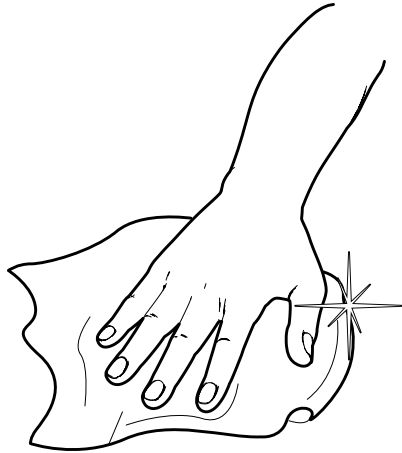
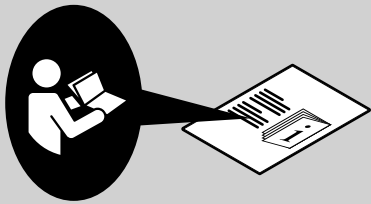
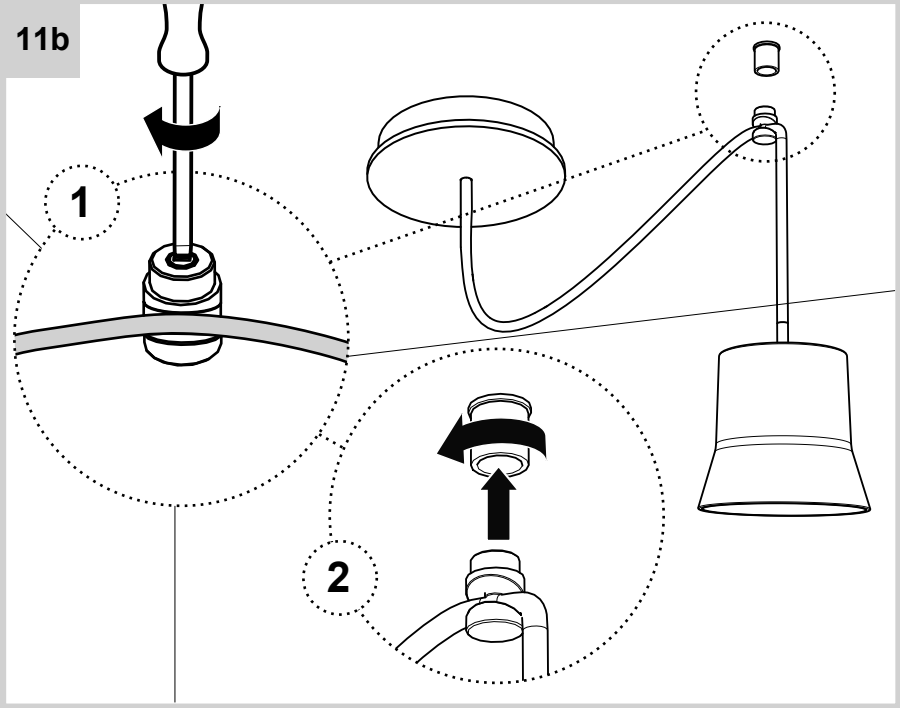
9b



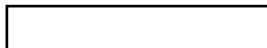
10b



11b



Artemide®



Artemide

via Bergamo, 18
20010 Pregnana M.se (MI)
ITALIA

tel. +39 02 935 181
fax +39 02 935 90 254
fax +39 02 935 90 496

www.artemide.com

VAT IT00846890150

cod. Y513001505