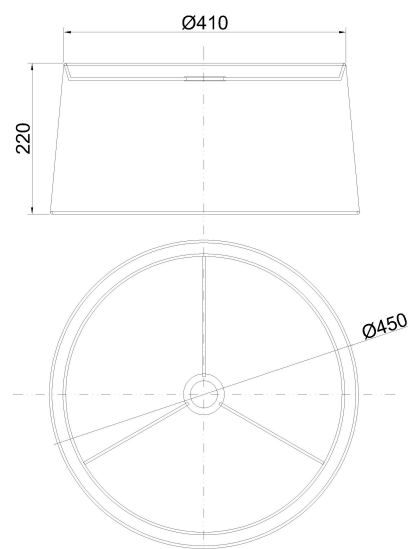
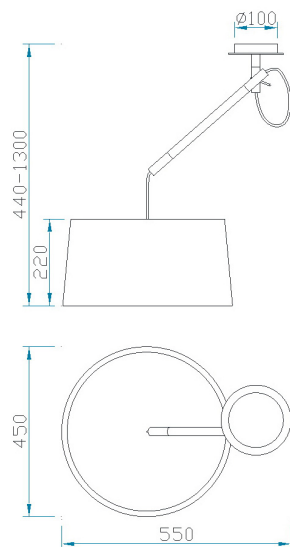


Family: NORDICA



TU0595



MAIN DATA		SIZES		SHADE/GLASS	
Category:	Decorative Indoor	Height (h):	44-130 cm	Shade code:	TU0595
Tipology:	8	Diameter (Ø):		Material/Finish:	Fabric / White
Description:	Pendant Lamp	Width (l):	55 cm		
Finish:		Depth (w):	45 cm		
Material:					
EAN:	8435153249280				
Color/Length wire:	White/Black/1m				

APPLICATIONS					
Dimmable:	NO	Switcher type:		Initial colour temperature:	
Dimmer included:	Not found	Adjustable high:	YES	Dimmer compatibility:	

LAMP HOLDER	
Bulb:	1 * max. 20 W E27
Bulb included:	NO

LOGISTIC

Total box per item:	2			INDIV.
	Box 1	Box 2	Gross weight:	3,00 kg
CBM Ind. Box:	0,000 m ³		Nett weight:	1,00 kg
Box height (h):	15 cm	29 cm		
Box width (l):	43,5 cm	52 cm		
Box depth (w):	13 cm	52 cm		

INSTALLATION

Class protection:	I	Guarantee:	3 years	Charger:	
Input:	100-240V~50/60Hz	ERP:		Bluetooth:	NO
Beam angle:		IP Protection:	IP20	Speaker:	
Cut hole:		CRI:	>=		

VARIOUS

CE Certification:	MANTR210202.00	Recycling Tax:	04043A
HS Code:	94051190/90	Designer:	Santolaria & Llusca
Notes:			