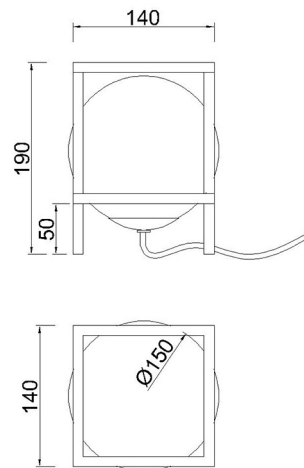


Family: DESIGUAL



MAIN DATA		SIZES		SHADE/GLASS	
<b>Category:</b>	Decorative Indoor	<b>Height (h):</b>	19 cm	<b>Shade code:</b>	TU0716
<b>Typology:</b>	10	<b>Diameter (ø):</b>		<b>Material/Finish:</b>	Glass / White
<b>Description:</b>	Table Lamp 1 Light Small	<b>Width (l):</b>	14 cm		
<b>Finish:</b>		<b>Depth (w):</b>	14 cm		
<b>Material:</b>	Glass / White				
<b>EAN:</b>	8435153276125				
<b>Color/Length wire:</b>	Black/1,5m				

APPLICATIONS					
<b>Dimmable:</b>	NO	<b>Switcher type:</b>	ON/OFF MESA	<b>Initial colour temperature:</b>	
<b>Dimmer included:</b>	Not found	<b>Adjustable high:</b>	NO	<b>Dimmer compatibility:</b>	

LAMP HOLDER	
<b>Bulb:</b>	1 * max. 20 W E27
<b>Bulb included:</b>	NO

**LOGISTIC**

<b>Total box per item:</b>	1	<b>Master carton qty:</b>	10 units	<b>INDIV.</b>	<b>MASTER</b>
	<b>Box 1</b>	<b>Master carton CBM:</b>	0,000 m <sup>3</sup>	<b>Gross weight:</b>	1,00 kg 13,00 kg
<b>CBM Ind. Box:</b>	0,000 m <sup>3</sup>	<b>Master carton:</b>	26 * 90 * 37 cm	<b>Nett weight:</b>	1,00 kg 12,00 kg
<b>Box height (h):</b>	24 cm	<b>Inner box qty:</b>			
<b>Box width (l):</b>	17 cm				
<b>Box depth (w):</b>	17 cm				

**INSTALLATION**

<b>Class protection:</b>	II	<b>Guarantee:</b>	3 years	<b>Charger:</b>	
<b>Input:</b>	100-240V~50-60Hz	<b>ERP:</b>		<b>Bluetooth:</b>	NO
<b>Beam angle:</b>		<b>IP Protection:</b>	IP20	<b>Speaker:</b>	
<b>Cut hole:</b>		<b>CRI:</b>	>=		

**VARIOUS**

<b>CE Certification:</b>	MANTR210201.00	<b>Recycling Tax:</b>	05043A
<b>HS Code:</b>	94052990/90	<b>Designer:</b>	MANTRA TEAM
<b>Notes:</b>			