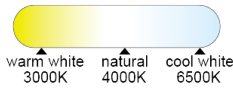
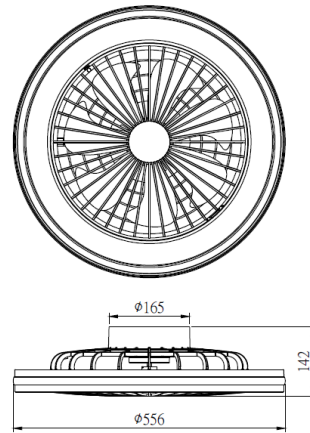


Collection: VENTILACION
Family: GAMER

Reference: 7862
Date: 16/03/2023



| MAIN DATA | | SIZES | |
|--------------|------------------------------|---------------|---------|
| Category: | Ventilation | Height (h): | 14.2 cm |
| Tipology: | 15 | Diameter (ø): | 55.6 cm |
| Description: | Ceiling Lamp LED 60W Fan 26W | Width (l): | |
| Finish: | Black | Depth (w): | |
| Material: | Acrylic / White | | |
| EAN: | 8435153278624 | | |

| APPLICATIONS | | | |
|------------------|--|------------------|-----------------------------|
| Dimmable: | YES | Switcher type: | Initial colour temperature: |
| Dimmer included: | images/shared/logos/dimer_remotecontrol_ir.png | Adjustable high: | NO |
| | | | Dimmer compatibility: |

| LED | | DRIVER | |
|-------------------|-------------|---------------------|------------------------------|
| Lumens: | 4200 lm | Driver ref.: | |
| CCT: | 3000K-6500K | Driver brand: | Guangdong LAC Smart Lighting |
| LED watt: | 60 | Driver model: | 10A-RC001647 |
| LED Life (hours): | 25.000 | Driver output: | 360V DC 100mA |
| Replaceable: | NO | Driver certificate: | |
| LED Brand/Type: | | Remote Code: | R00136 |
| On/Off: | 10.000 | | |

LOGISTIC

| | | | | | |
|----------------------------|----------------------|---------------------------|----------------------|----------------------|---------------|
| Total box per item: | 1 | Master carton qty: | 3 units | INDIV. | MASTER |
| | Box 1 | Master carton CBM: | 0,207 m ³ | Gross weight: | 4,20 kg |
| CBM Ind. Box: | 0,063 m ³ | Master carton: | 62 * 63 * 53 cm | Nett weight: | 3,80 kg |
| Box height (h): | 60 cm | Inner box qty: | | | |
| Box width (l): | 61.5 cm | | | | |
| Box depth (w): | 17 cm | | | | |

INSTALLATION

| | | | | | |
|--------------------------|-------------------|-----------------------|---------|-------------------|----|
| Class protection: | II | Guarantee: | 5 years | Charger: | |
| Input: | 100-240V~ 50/60Hz | ERP: | | Bluetooth: | NO |
| Beam angle: | 120° | IP Protection: | IP20 | Speaker: | |
| Cut hole: | | CRI: | >= 80 | | |

VARIOUS

| | | | |
|--------------------------|-------------|-----------------------|--------|
| CE Certification: | | Recycling Tax: | 04041A |
| HS Code: | 84145100/90 | Designer: | |
| Notes: | | | |