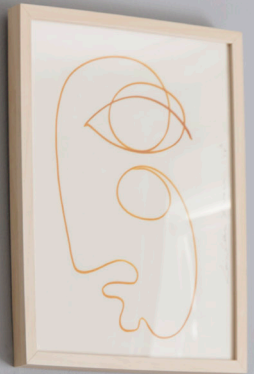


EOS UP

mini | user guide



UIMAGE



WITH LOVE FROM COPENHAGEN

At UIMAGE, our designers take inspiration from the distinct nature of the Nordic landscape to create unique designs related to the way we live in an urban setting. Influenced by the design language, colours and materials found around us in Scandinavia, we create a collection that is rooted in our home but designed for everyone.

Versatile, flexible and multifunctional, our designs are created to enhance an urban lifestyle in smaller spaces!

ENGLISH

IMPORTANT! Always shut off the power to the circuit before starting installation work. In some countries, electrical installation work may only be carried out by an authorised electrical contractor. Contact your local electricity authority for advice.

Different wall materials require different types of screws. Always choose screws that are specially suited to the materials of your walls.

DEUTSCH

WICHTIG! Vor der Installation den Strom abschalten. In einigen Ländern dürfen Elektroinstallationen nur von autorisierten Elektrofachleuten ausgeführt werden. Im Zweifelsfall die örtlichen Behörden ansprechen.

Unterschiedliche Wandmaterialien erfordern unterschiedliche Schrauben. Immer Schrauben verwenden,

die für die Wandbeschaffenheit geeignet sind.

FRANÇAIS

ATTENTION! Toujours couper l'alimentation au panneau principal avant de procéder à l'installation. Dans certains pays, l'installation doit être effectuée par un électricien qualifié. Pour en savoir plus, contacter les autorités locales compétentes en la matière.

Le choix des vis dépend du matériau dans lequel elles doivent être fixées. Utiliser des vis adaptées au matériau de votre mur.

NEDERLANDS

BELANGRIJK! Schakel de stroom altijd uit voordat met de installatie wordt begonnen. In sommige landen mogen elektrische installaties alleen worden uitgevoerd door een bevoegd elektricien. Neem daarom

contact op met de plaatselijke overheid voor advies.

Voor verschillende wandmaterialen heb je verschillende schroeven nodig. Completeer met schroeven die geschikt zijn voor het materiaal van de wand.

DANSK

VIGTIGT! Sluk altid før strømmen, før installationen påbegyndes. I nogle lande må elektriske installationer kun udføres af en uddannet elektriker. Få oplysninger hos de relevante myndigheder.

Forskellige vægmaterialer kræver forskellige typer skruer. Vælg skruer, som egner sig til det relevante vægmateriale.

ÍSLENSKA

MIKILVÆGT! Sláið rafmagnið úr áður en uppsetning hefst. Í sumum löndum

þarf uppsetning að vera framkvæmd af löggiltum rafvirkja. Leitið ráða hjá rafvirkja varðandi uppsetninguna.

Veggir húsa eru úr mismunandi efnum og nota þarf mismunandi skrúfur í þá. Veljið alltaf skrúfur sem henta efninu í veggjum heimilisins.

NORSK

VIKTIG! Elektriske installasjoner skal utføres av elektriker.

Ulike veggmaterialer krever ulike skruer. Suppler med skruer som passer til materialet i din vegg.

SUOMI

TÄRKEÄÄ! Katkaise aina virta pätkätkäisimestra ennen asennusta. Joissakin maissa kytkennän saa tehdä vain ammattitaitoinen sähköasentaja. Selvitä paikalliset määräykset.

Erilaisiin seinämateriaaleihin on käytettävä erilaisia ruuveja. Valitse kotisi seinämateriaaliin sopivat ruuvit.

SVENSKA

VIKTIGT! Stäng alltid av strömmen innan installation påbörjas. I vissa länder får elektrisk installation endast utföras av auktoriserad elektriker. Kontakta din lokala myndighet för råd.

Olika väggmaterial kräver olika skruvar. Komplettera med skruvar som passar materialet i din vägg.

ČESKY

DŮLEŽITÉ! Před instalací vždy odpojte ze sítě. V některých zemích může instalaci provést pouze kvalifikovaný elektrikář. Kontaktujte o radu nejbližšího elektrikáře.

Různé typy stěn vyžadují různé druhy šroubů. Vždy použijte šrouby,

keré jsou vhodné do daného typu materiálu.

ESPAÑOL

IMPORTANTE! Desconecta siempre el interruptor general de la electricidad antes de iniciar cualquier trabajo de instalación. En algunos países, la instalación eléctrica sólo puede realizarla un electricista profesional. Ponte en contacto con las autoridades locales para saber cuál es tu caso.

Diferentes materiales de pared requieren diferents tornillos. Completa con aquellos que mejor se adapten a tu tipo de pared.

ITALIANO

IMPORTANTE! Togli sempre tensione al circuito prima di iniziare l'installazione. In alcune nazioni l'installazione elettrica può essere effettuata solo da un elettricista autorizzato. Per ma-

ggiori informazioni, contatta l'autorità locale per l'energia elettrica.

I diversi materiali delle pareti richiedono tipi diversi di viti. Scegli viti adatte al materiale della parete in questione.

MAGYAR

FONTOS! Minden esetben kapcsolás előtt az áramot le kell szakítani. Néhány országban elektromos installációt kizárólag szakember végezhet. Ezzel kapcsolatban érdeklődj elektromos szolgáltatóddal.

A különböző anyagú falakhoz, különböző típusú csavarokat használj. Válassz mindig olyan csavart (és tipliket), melyek a leginkább alkalmasak a falad anyagához.

POLSKI

WAŻNE! Przed rozpoczęciem instalacji odłącz zasilanie. W niektórych państwach instalacje elektryczne mogą być wykonywane wyłącznie przez wykwalifikowanych elektryków. Skontaktuj się z odpowiednimi instytucjami, aby uzyskać poradę.

Do różnego rodzaju ścian pasują różne rodzaje wkrętów. Wybieraj zawsze wkręty odpowiednie do Twoich ścian.

EESTI

OLULINE! Lülitage alati enne paigaldustööde alustamist elekter välja. Mõnes riigis võib elektritööd teostada ainult litsentseeritud elektrik. Võtke ühendust kohaliku elektriteenust pakkuva asutusega.

Erinevatel seinte materjalidel kasu-
tatakse erinevaid kruvisid. Valige ja
kasutage alati kruvisid, mis sobivad
spetsiaalselt teie seintele.

LATVIEŠU

SVARĪGI! Pirms montāžas darbu
uzsākšanas vienmēr atvienojiet
galveno strāvas padevi. Dažās valstīs
elektroinstalācijas darbus drīkst veikt
tikai sertificēts elektriķis. Neskaidrību
gadījumā sazinieties ar savu vietējo
energoapgādes uzņēmumu.

Skrūves jāizvēlas atkarībā no sienu
materiāla. Vienmēr izvēlieties
skrūves, kas ir piemērotas
konkrētajam sienu materiālam.

LIETUVIŲ

SVARBU! Prieš pradēdami
elektros instaliācijas darbus, visada
išjunkite elektros energijā. Kai
kuriose šalyse elektros instaliacijos
darbus gali atlikti tik leidimą tam

turintis elektrikas. Kreipkitės į
atitinkamas institucijas ir
pasitikslinkite.

Skirtingoms sienų apdailos
medžiagoms reikalingos skirtingų
tipų tvirtinimo priemonės. Visada
pasirinkite tinkamas tvirtinimo
priemonės.

PORTUGUÊS

IMPORTANTE Desligue sempre a
corrente eléctrica antes de começar
um trabalho de instalação. Em alguns
países os trabalhos de instalação
eléctrica só podem ser realizados
por um electricista autorizado.
Contacte a sua autoridade local de
electricidade para aconselhamento.

Os diferentes materiais de parede
requerem diferentes tipos de
parafusos. Escolha sempre parafusos
adequados aos materiais das suas
paredes.

ROMÂNĂ

ATENȚIE! Opriți întotdeauna alimentarea cu curent electric înainte de a începe lucrările de instalare. În unele țări, operațiunile de instalare pot fi efectuate numai de către un instalator autorizat. Pentru mai multe informații, contactați autoritatea locală care gestionează energia electrică.

Materialele variate din care sunt construiți pereții necesită diferite tipuri de șuruburi. Alege întotdeauna șuruburi adecvate materialelor pereților tăi.

SLOVENSKY

DÔLEŽITÉ! Pred inštaláciou vždy odpojte zo siete. Zistite si, či nepatrí- te medzi tie krajiny, kde inštaláciou môže uskutočniť výlučne elektrikár. O radu požiadajte vašu lokálnu autoritu.

Rôzne typy stien vyžadujú rôzne typy skrutiek. Vždy použite skrutky vhodné do daného materiálu.

БЪЛГАРСКИ

ВАЖНО! Винаги изключвайте електрозахранването във веригата, преди да извършвате работа по инсталацията. В някои страни работа по електрическите инсталации може да се извършва единствено от оторизиран електротехник. За препоръка се обърнете към местната електрическа компания.

Различните стенни материали изискват различни видове винтове. Винаги избирайте винтове, специално съобразени с материала на вашите стени.

HRVATSKI

VAŽNO! Uvijek isključite struju prije instalacije. U nekim zemljama

postavljanje električnih instalacija može obavljati samo ovlaš- teni električar. Za savjet kontaktirajte svog lokalnog ovlaš- tenog električara.

Različite vrste vijaka koriste se za različite vrste zidova. Uvijek odaberite vijke koji točno odgovaraju vrsti vaših zidova.

ΕΛΛΗΝΙΚΑ

ΣΗΜΑΝΤΙΚΟ! Πριν από την έναρξη της εργασίας εγκατάστασης, να διακόπτετε πάντα την παροχή ρεύματος από τον γενικό διακόπτη. Σε μερικές χώρες, οι ηλεκτρολογικές εργασίες θα πρέπει να πραγματοποιούνται μόνο από ένα εξουσιοδοτημένο ηλεκτρολόγο. Για πληροφορίες, επικοινωνήστε με την εταιρία ηλεκτρισμού της περιοχής σας.

Για τα διαφορετικά υλικά τοίχου, απαιτούνται και διαφορετικοί τύποι βιδών. Επιλέγεται πάντοτε βίδες, οι οποίες να είναι ειδικά κατάλληλες για τα υλικά των τοίχων σας.

SRPSKI

BITNO! Uvek isključite struju pre nego što počnete s intaliranjem. U pojedinim državama elektroinstalacije mogu da postave samo osobe s ovlašćenjem. Obratite se lokalnoj elektro-distribuciji za savet.

Različite vrste zidova zahtevaju različite tiplove. Uvek odaberite tiplove koji odgovaraju vrsti vašeg zida.

РУССКИЙ

ВНИМАНИЕ! Перед установкой всегда отключайте электропитание. В некоторых странах электроустановка

должна производиться только квалифицированным электриком. Обратитесь за консультацией в соответствующие местные инстанции.

Для различного типа стен требуются различные виды шурупов. Всегда выбирайте шурупы, которые подходят к материалу Ваших стен.

SLOVENŠČINA

POMEMBNO! Pred začetkom dela vedno izklopite električno napajanje. V nekaterih državah sme električno napeljavo napeljevati le pooblaščeni električar. Za nasvet se obrnite na najbližji pooblaščeni servis.

Različni stenski materiali zahtevajo različne vrste vijakov. Vedno uporabite takšne vijake, ki ustrezajo sestavi vaše stene.

TÜRKÇE

ÖNEMLİ! Kurulumu başlamadan önce her zaman elektrik devresini kapatınız. Bazı ülkelerde elektrik kurulum işlemi sadece yetkili elektrik teknikerleri tarafından yapılmaktadır. Size en yakın yerel elektrik idaresi ile temas kurarak bu konuda bilgi alabilirsiniz.

Farklı duvar materyalleri farklı türde vida gerektirir. Her zaman, duvarınızın yapı malzemesine uygun vidaları seçiniz.

BAHASA INDONESIA

PENTING! Selalu matikan listrik ke sirkuit sebelum memulai pekerjaan pemasangan. Di beberapa negara pekerjaan pemasangan listrik hanya boleh dilakukan oleh tukang listrik tersertifikasi. Hubungi tukang listrik berwenang di tempat anda untuk saran.

Untuk bahan dinding yang berbeda membutuhkan jenis sekrup yang berbeda. Selalu memilih sekrup yang sesuai untuk bahan dinding Anda.

BAHASA MALAYSIA

PENTING! Sentiasa padamkan bekalan kuasa ke litar sebelum memulakan kerja-kerja pemasangan. Di beberapa negara kerja-kerja pemasangan elektrik hanya boleh dilakukan oleh kontraktor elektrik yang bertauliah. Hubungi pihak berkuasa

tempatan untuk mendapatkan nasihat tentang bekalan elektrik.

Bahan dinding yang berlainan memerlukan jenis skru yang berlainan. Sentiasa pilih skru yang paling sesuai dengan bahan binaan bagi dinding anda.

한국어

중요! 설치작업을 시작하기 전 반드시 회로의 전원을 차단하세요. 일부 국가에 서는 공인전기시공업체만 전기 공사를 진행할 수 있습니다. 관련 정보는 지역 전력 관할 기관에 문의하세요.

벽에 따라 다른 종류의 나사를 사용해야 합니다. 반드시 벽에 적합한 나사를 사용하세요.

日本語

重要 設置作業を開始する前に必ずブレーカーを切ってください。電気工事の作業を行うには、資格を必要とする国もあります。お近くの電気工事店にご相談ください。

器具を固定するためのネジは壁の材質により異なります。必ず壁の材質に合ったネジを使用してください。

中文

重要事项 安装工作开始前，请务必切断电路电源。在一些国家，电气安装必须由有资质的电力承包商完成。请联系您当地的电力部门，征询建议。

不同的安装面材需采用不同种类的安装螺钉。根据墙体材料，选择适用的安装五金件。

繁中

重要訊息 安裝前請務必關掉電源。有些國家的電力安裝工作需由有執照的專業電工執行，如有任何疑問，請聯絡專業人員。

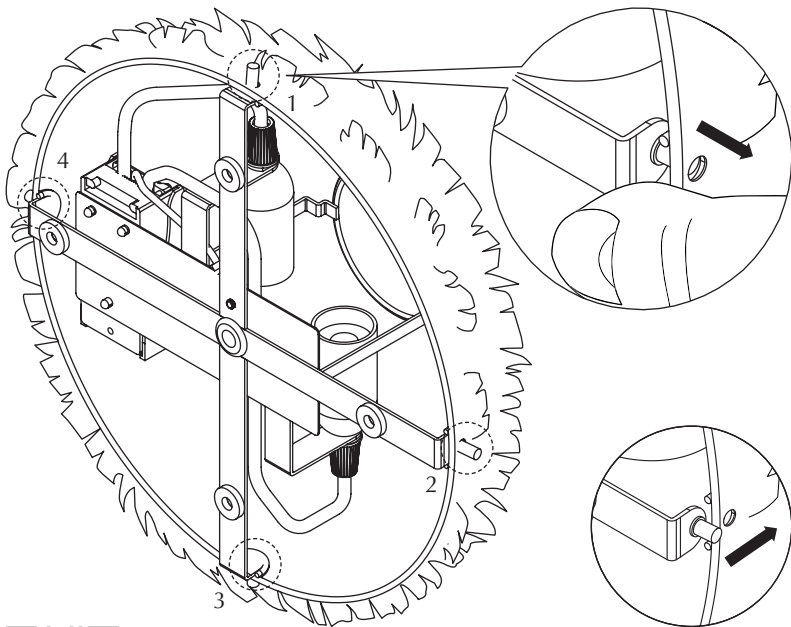
請選購適合貴戶牆壁材質的螺絲配件



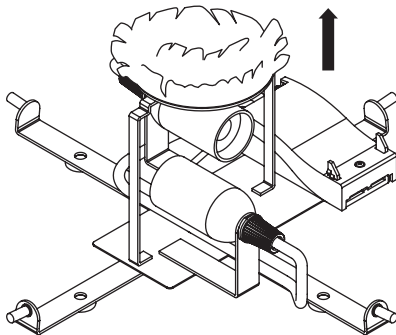
DESIGNED BY
SØREN RAVN CHRISTENSEN

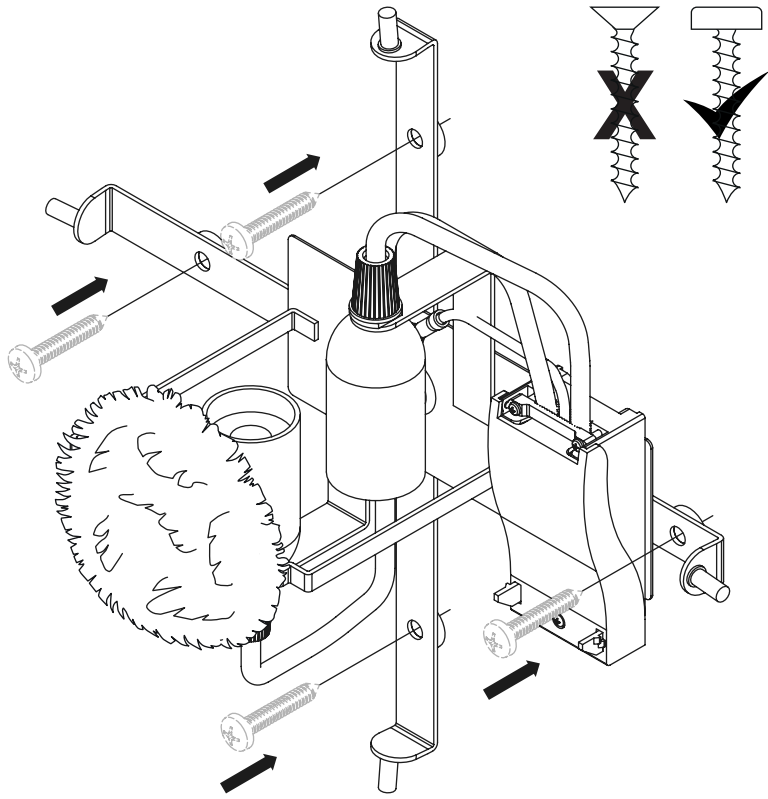
“ Whether it’s in width
or height, you need
light to make your small
areas come to life. ”

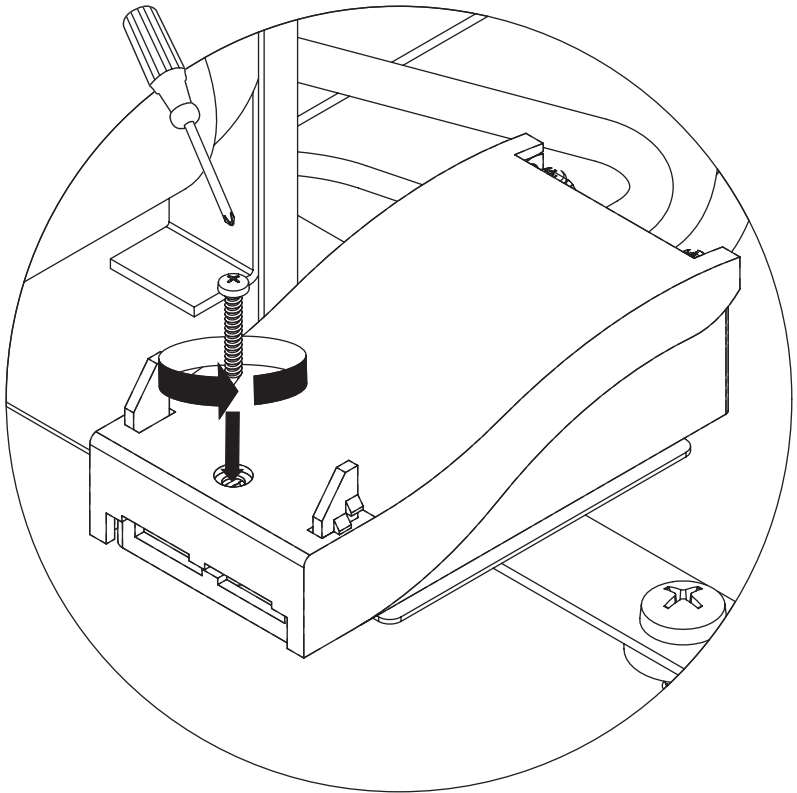
ASSEMBLY GUIDE

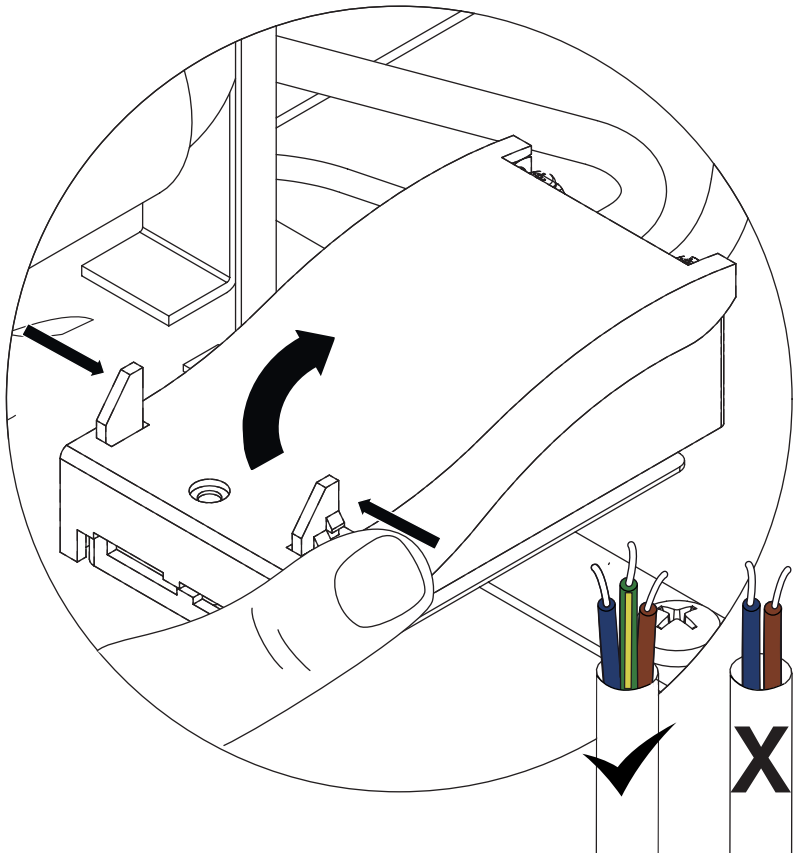


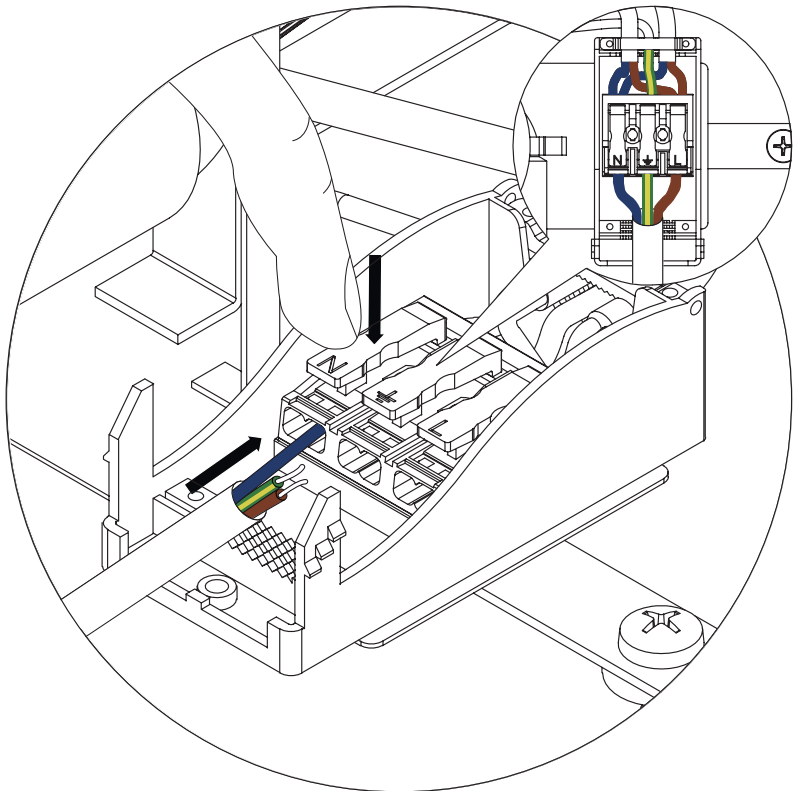
Find assembly videos by using the QR code or by going online at our website
umage.com/instructions

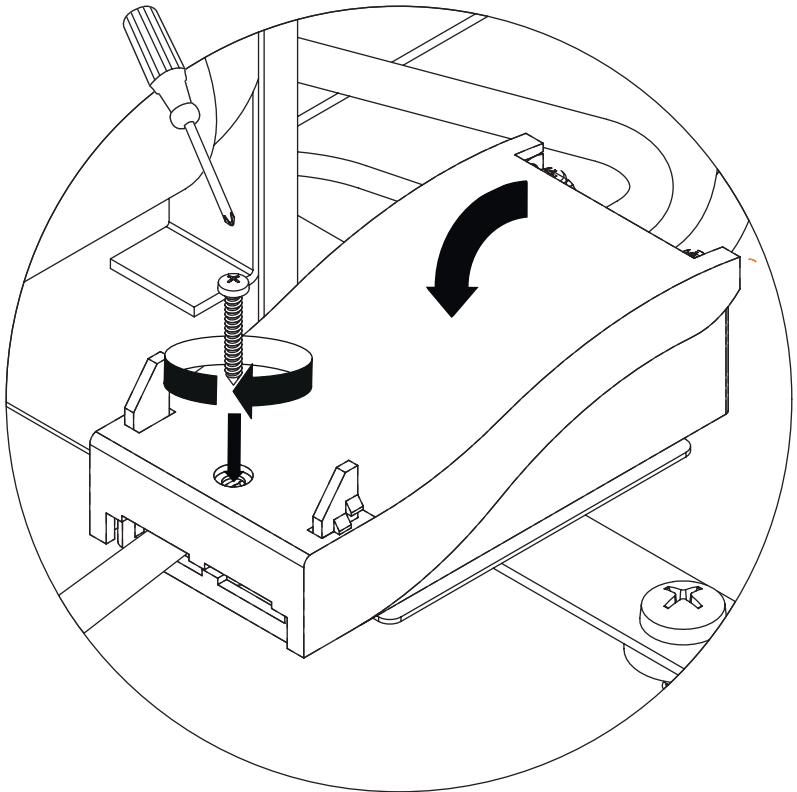


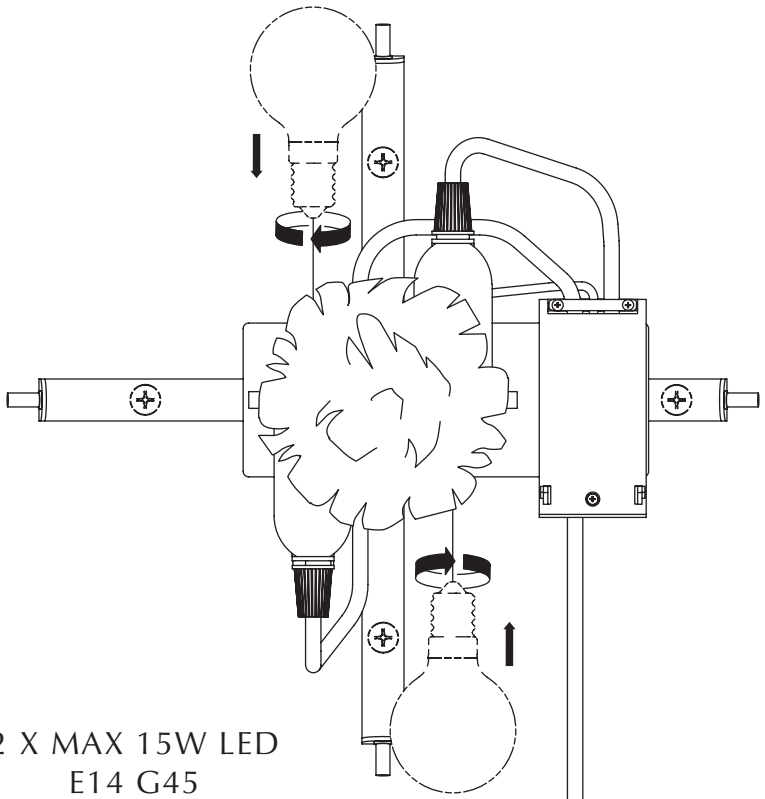




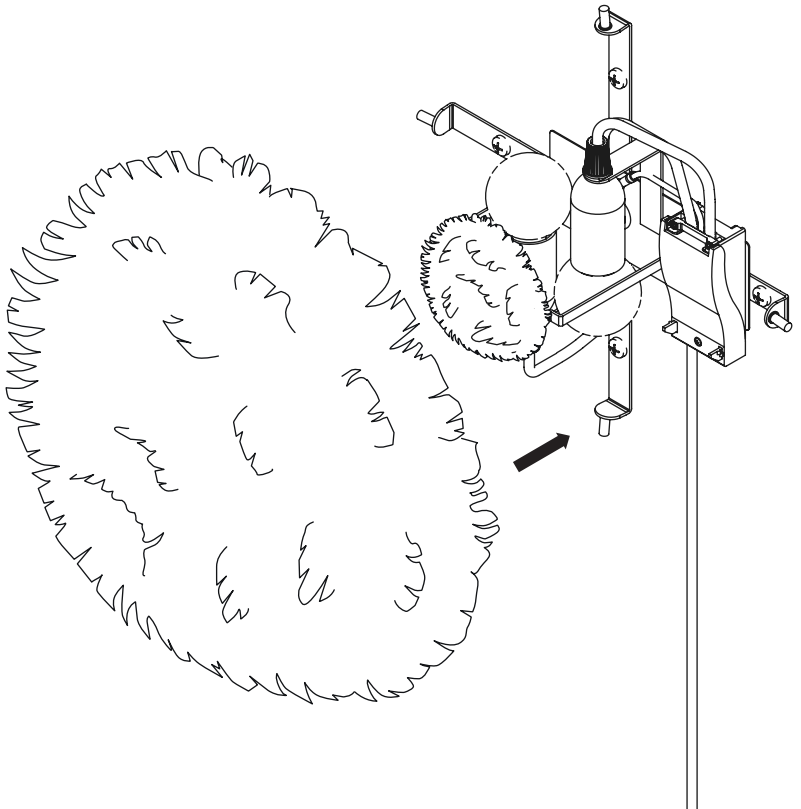


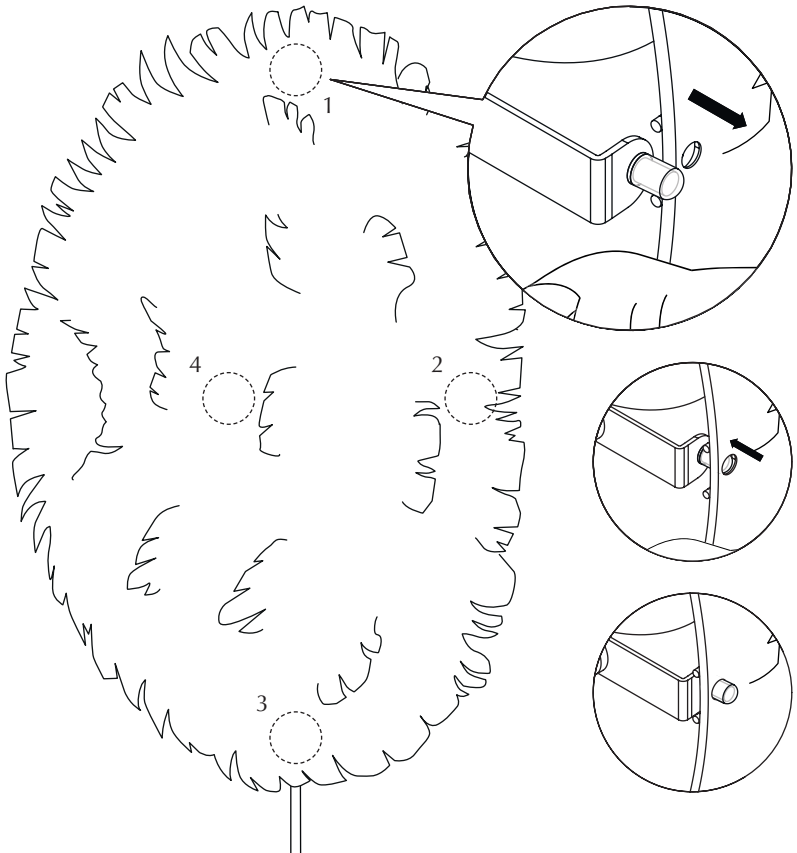


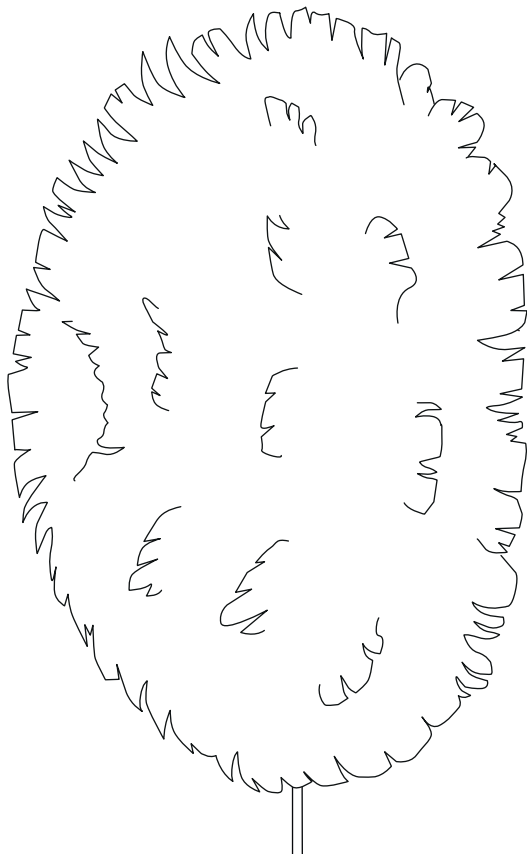




2 X MAX 15W LED
E14 G45







CARE AND MAINTENANCE

Please follow the below care and safety instructions to ensure many years of enjoyment with your new design item from UIMAGE.

- Please give the feathers time to readjust to their original shape. It may take up to two weeks, but you can help them along by running your fingers carefully through the feathers. The nature of the organic materials might give off the characteristic odours.
- This is a handmade product made of natural goose feathers, giving each lamp a unique look. As every lamp is different, feathers might look different than in the photos. Feathers that are curly, split, or in all directions will come to shape over time. To cover possible gaps or open areas where fewer feathers are visible, don't be afraid to bend the feathers. Just squeeze the hollow shaft between your thumb and fingers and give the feathers the look you want. Each lamp requires grooming before it is exactly to your liking.
- Keep the lamp clean using a hair dryer on the coolest setting, 25 cm (10") from the lamp, and blow the loose dust from the feathers. Use a clean damp cloth for dust that is difficult to remove.

- Keep the shade away from sunlight, humid or very dry areas. Keep away from fire and fire hazards such as fireplaces, candle lights or similar, but also from hot areas such as heaters or similar.

Keep these instructions at hand for future reference.

SUSTAINABLE SUSTAINABILITY EFFORTS

We are dedicated being sensible frontrunners on the environmental responsibility. If we provide timeless and functional quality designs that last, we know nature will prevail, as will UIMAGE.

*“SAVING THE SCENT OF THE FOREST
AFTER AN EARLY MORNING RAIN”*



GIVING BACK TO NATURE

In collaboration with the NGO One Tree Planted, we are planting a tree every time one of our designs made from wood are being sold. Furthermore, we are compensating for the polypropylene products we sell, by donating part of the profits to the NGO Plastic Change, supporting the World ocean clean-up and minimizing plastic pollution.

MULTIFUNCTION AND FLEXIBILITY

One of the key aspects of the designs at UIMAGE is multiple functions and flexibility. Designing with more than one function in mind is a sustainable mindset as it reduces the number of products you need to buy to get a complete setting for your space.



REUSABLE PACKAGING

To minimize packaging waste, most of the packaging from our lighting collection is repurposed to be used as beautiful storage boxes afterwards. Learn more on the next page...



REUSABLE PACKAGING

With your new lamp, you have also received a free decorative storage box for the shelf.

THIS IS HOW IT WORKS

When your new lamp is out of the box you can keep the box and reuse it as a storage box for your small bits and bobs and place it on the shelf or on the top of your closet - repurposing the packaging for you and the environment.



So not only are UIMAGE's designs flat-packed to optimize the global logistics and the environmental footprint, but it ensures that you don't need to throw away tons of packaging material, that can just as well be reused for something new.

Read more about our many sustainability efforts:
umage.com/sustainability



Please follow the marked icons on the packaging materials for correct disposal of the remaining packaging materials:



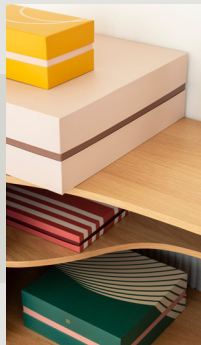
CARDBOARD



PAPER



Recycle your waste correctly
by searching for these icons on
the packaging



FOLLOW US ON SOCIAL MEDIA



@umagedesign | #umagedesign | umage.com



UMAGE



210506