



LTORCHID

Design by Rainer Mutsch

Collection consisting of aluminium wall lamps, ceiling lamps, suspended lamps, floor and table lamps. Available in several colours.

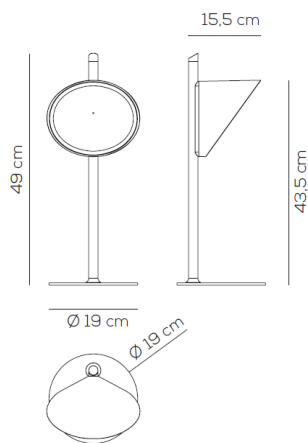
Typology: TABLE LAMP

Ratings

- Built in line voltage **LED** module
- CCT 3000 K, 2700K
- Downlight
- Table lamp
- Supply voltage ~220-240V
- Switch mode: on-off with dimmer
- Die cast aluminium body, painted
- Opalescent diffuser

Product code composition

kg 2,5 m3 0.07



ORCHID / DIMMER INCLUDED

Type	Article	Colours	Code End	Source
LT	ORCHID	BC white	XX	LED 7W - diffused beam 3000K*, 2700K
		SA sand		
		AN anthracite grey		

220-240VAc **LED** ~710 lm* 101lm/W
 example composition code **LT ORCHID BC XX LED**

Available colors



SA
Sand

BC
White

AN
Anthracite
grey

EELc (Energy Efficiency Label compatibility) contain built in LED lamps that cannot be changed: A, A+, A++

LTORCHID _ _ XXLED

CUSTOMER _____

NOTES _____

NOTICE: Luminous flux (lm) and efficacy (lm/W) for all LED luminaires is based on nominal ratings of the LED sources. Technical data could be subject to alteration without notice. Axo Light does not provide legal guarantee for the accuracy of this data sheet.