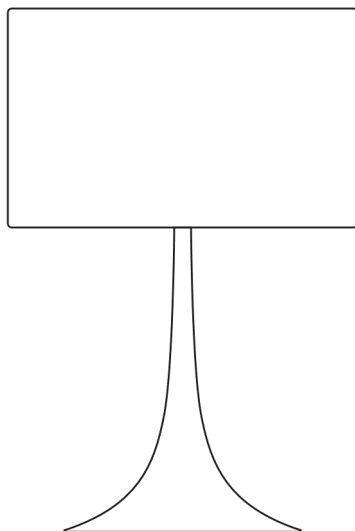


SPUN LIGHT T1

Designed by Sebastian Wrong, 2003

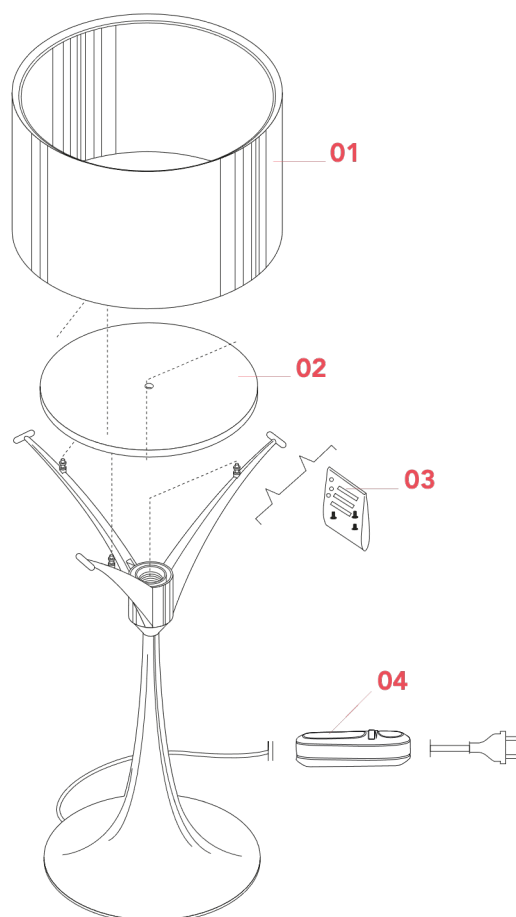
F6610009



SPUN LIGHT T1

F6610009

EN



- 01. RF11712 – T1 white diffuser
- 02. RF11695 – T1 anti-glare glass
- 03. RF6610100 – Bag with diffuser supports and O-rings
- 04. RF32261 – Led dimmer 1004P LFP100-240V 4—150WHL 4-25W

SPUN LIGHT T1 F6610009

EN

RF11712

SPUN LIGHT T1 DIFFUSER



WARNING! When installing and whenever acting on the appliance, ensure that the power supply has been switched off.
For the installation of the spare-part, it is necessary to consult a qualified electrician.

©2021 Flos - All rights reserved - www.flos.com
Flos reserves the right to introduce any changes to its own models, without prior notice.

SPUN LIGHT T1 F6610009

EN

RF11712

SPUN LIGHT T1 DIFFUSER

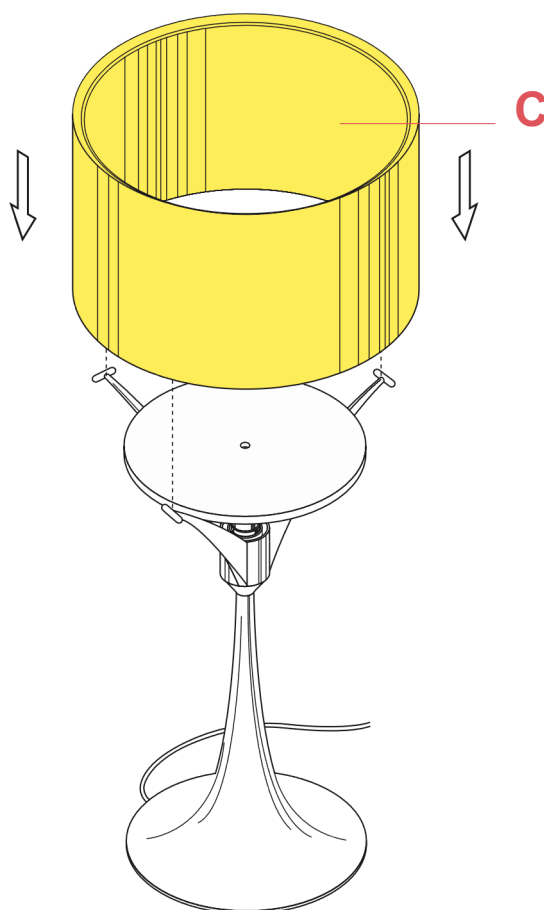


Fig.1

Place the diffuser (C) on the lamp body.

WARNING! When installing and whenever acting on the appliance, ensure that the power supply has been switched off.
For the installation of the spare-part, it is necessary to consult a qualified electrician.

SPUN LIGHT T1 F6610009

EN

RF11695

T1 ANTI-GLARE GLASS



WARNING! When installing and whenever acting on the appliance, ensure that the power supply has been switched off.
For the installation of the spare-part, it is necessary to consult a qualified electrician.

©2021 Flos - All rights reserved - www.flos.com
Flos reserves the right to introduce any changes to its own models, without prior notice.

SPUN LIGHT T1 F6610009

EN

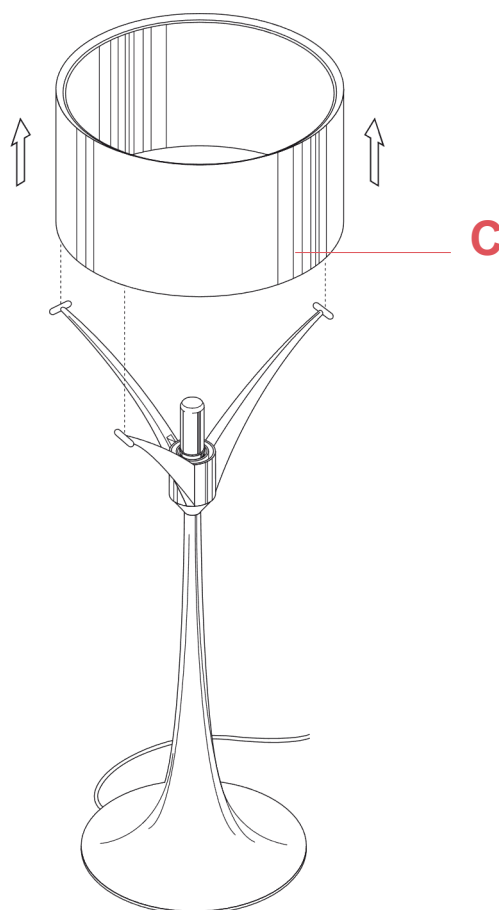
RF11695
T1 ANTI-GLARE GLASS

Fig.1

Remove delicately the diffuser (C) from the lamp body.

WARNING! When installing and whenever acting on the appliance, ensure that the power supply has been switched off.
For the installation of the spare-part, it is necessary to consult a qualified electrician.

SPUN LIGHT T1 F6610009

EN

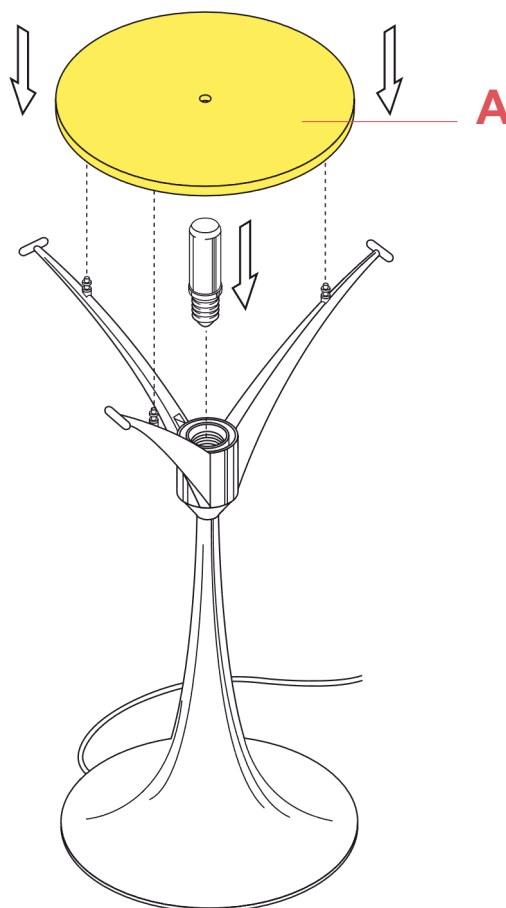
RF11695
T1 ANTI-GLARE GLASS

Fig.2

Place the anti-glare glass (A) on the supports, ensuring that the pins correspond with the seats present on the anti-glare glass.

WARNING! When installing and whenever acting on the appliance, ensure that the power supply has been switched off. For the installation of the spare-part, it is necessary to consult a qualified electrician.

SPUN LIGHT T1 F6610009

EN

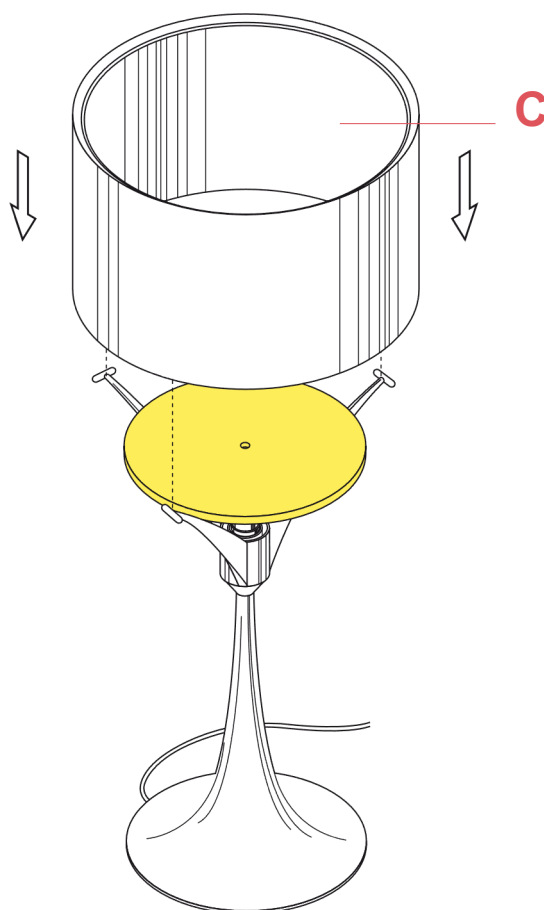
RF11695
T1 ANTI-GLARE GLASS

Fig.3

Place the diffuser (C) on the lamp body.

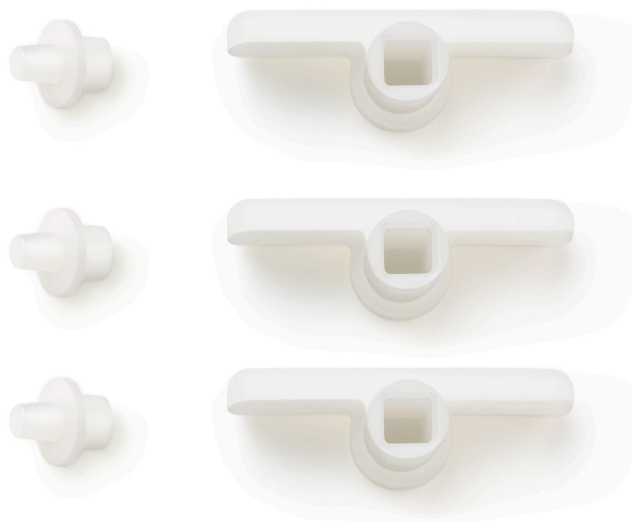
WARNING! When installing and whenever acting on the appliance, ensure that the power supply has been switched off.
For the installation of the spare-part, it is necessary to consult a qualified electrician.

SPUN LIGHT T1 F6610009

EN

RF6610100

BAG WITH DIFFUSER SUPPORTS AND O-RING



Spun
Light F
p.05



Spun
Light T1
p.09



Spun
Light T2
p.09

WARNING! When installing and whenever acting on the appliance, ensure that the power supply has been switched off.
For the installation of the spare-part, it is necessary to consult a qualified electrician.

SPUN LIGHT T1 F6610009

EN

RF6610100

BAG WITH DIFFUSER SUPPORTS AND O-RING

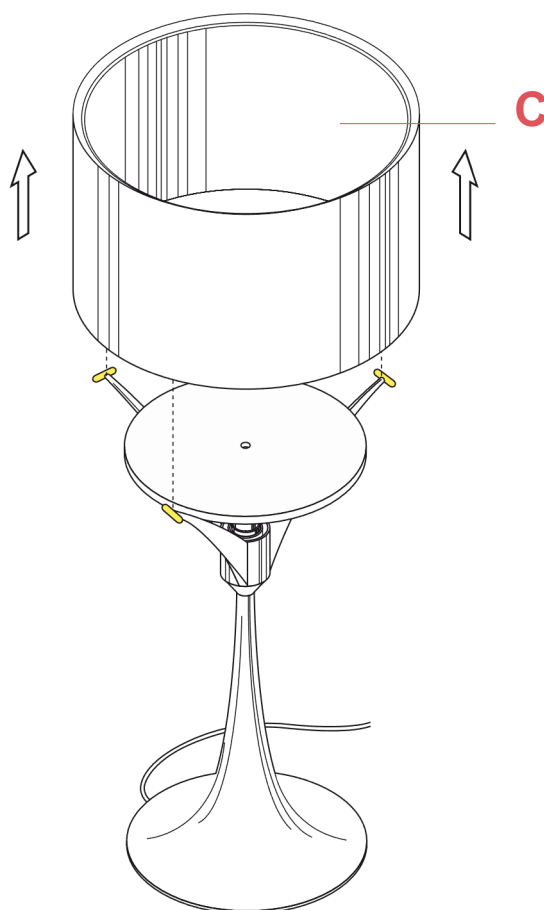


Fig.1

Remove delicately the diffuser (C) from the lamp body.

WARNING! When installing and whenever acting on the appliance, ensure that the power supply has been switched off.
For the installation of the spare-part, it is necessary to consult a qualified electrician.

©2021 Flos - All rights reserved - www.flos.com
Flos reserves the right to introduce any changes to its own models, without prior notice.

SPUN LIGHT T1 F6610009

EN

RF6610100

BAG WITH DIFFUSER SUPPORTS AND O-RING

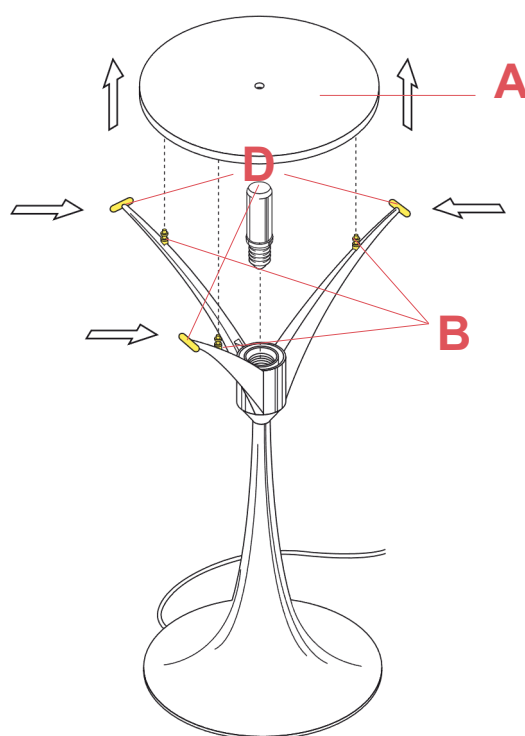


Fig.2

Remove the anti-glare glass plate (A) from the lamp body, insert the white rubber diffuser supports (D) on the tips of the lamp spokes and insert the antiglare white rubber pins (B).

Place the anti-glare glass (A) on the supports, ensuring that the pins correspond with the seats present on the anti-glare glass.

Place the diffuser (C) on the lamp body.(Fig.1 page 10)

WARNING! When installing and whenever acting on the appliance, ensure that the power supply has been switched off. For the installation of the spare-part, it is necessary to consult a qualified electrician.

SPUN LIGHT T1 F6610009

EN

RF32261

LED DIMMER 1004P LFP100-240V 4-150WHL 4-25W



Bedside
Gun
p.12



Table
Gun
p.12



Spun
Light T1
p.09



Spun
Light T2
p.09



Gatto
p.03



Gatto
Piccolo
p.03

WARNING! When installing and whenever acting on the appliance, ensure that the power supply has been switched off. For the installation of the spare-part, it is necessary to consult a qualified electrician.

SPUN LIGHT T1 F6610009

EN

RF32261

LED DIMMER 1004P LFP100-240V 4-150WHL 4-25W



Fig.1

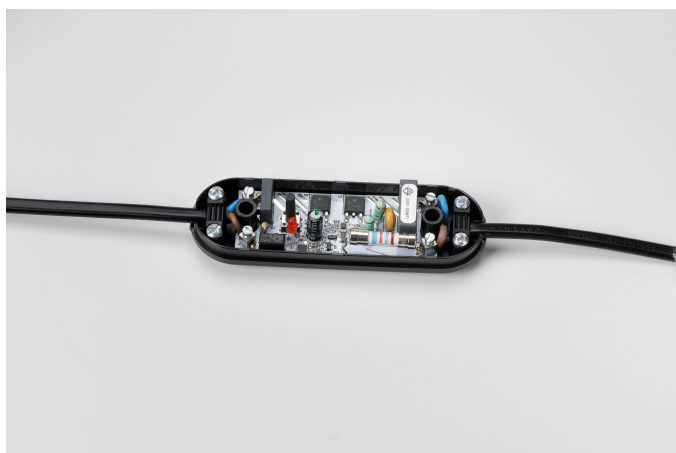


Fig.2

Open the dimmer box of the damaged dimmer.
For the opening, it is necessary to remove the n°2 screws using a star screw driver.

Lift-up the dimmer casing from the dimmer base;

WARNING! When installing and whenever acting on the appliance, ensure that the power supply has been switched off.
For the installation of the spare-part, it is necessary to consult a qualified electrician.

RF32261

LED DIMMER 1004P LFP100-240V 4-150WHL 4-25W

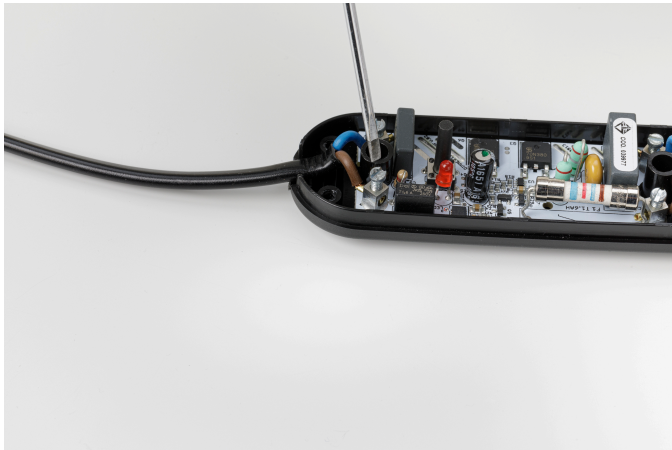


Fig.3

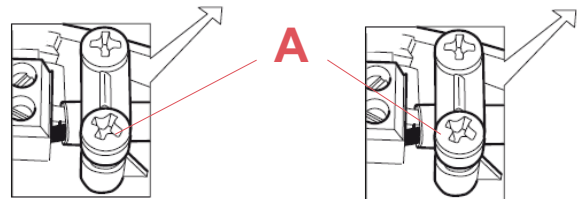


Fig.3.1

Remove the cable clamps by unfastening the 4 screws (A) and disconnect the wires from the terminal blocks through a tiny flat headed screw driver;



Fig.4

Replace the dimmer and connect the wires. When connecting the wires it is necessary to respect the polarities (L = Brown and N = Blue) to the terminal box. Lock the electrical cables by fastening the screws (A) of the cable clamps and make sure to block the isolation of the electrical cable.

Close the dimmer box.

It is necessary to place the casing on top and press down until it locks in. it is necessary to insert the n°2 screws using a star screw driver

WARNING! When installing and whenever acting on the appliance, ensure that the power supply has been switched off. For the installation of the spare-part, it is necessary to consult a qualified electrician.