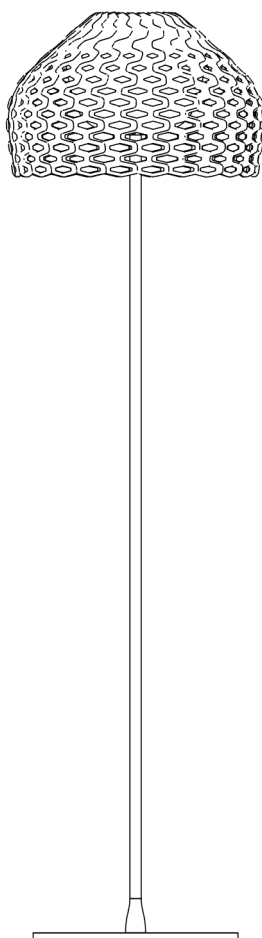


## TATOU F

Designed by Patricia Urquiola, 2012

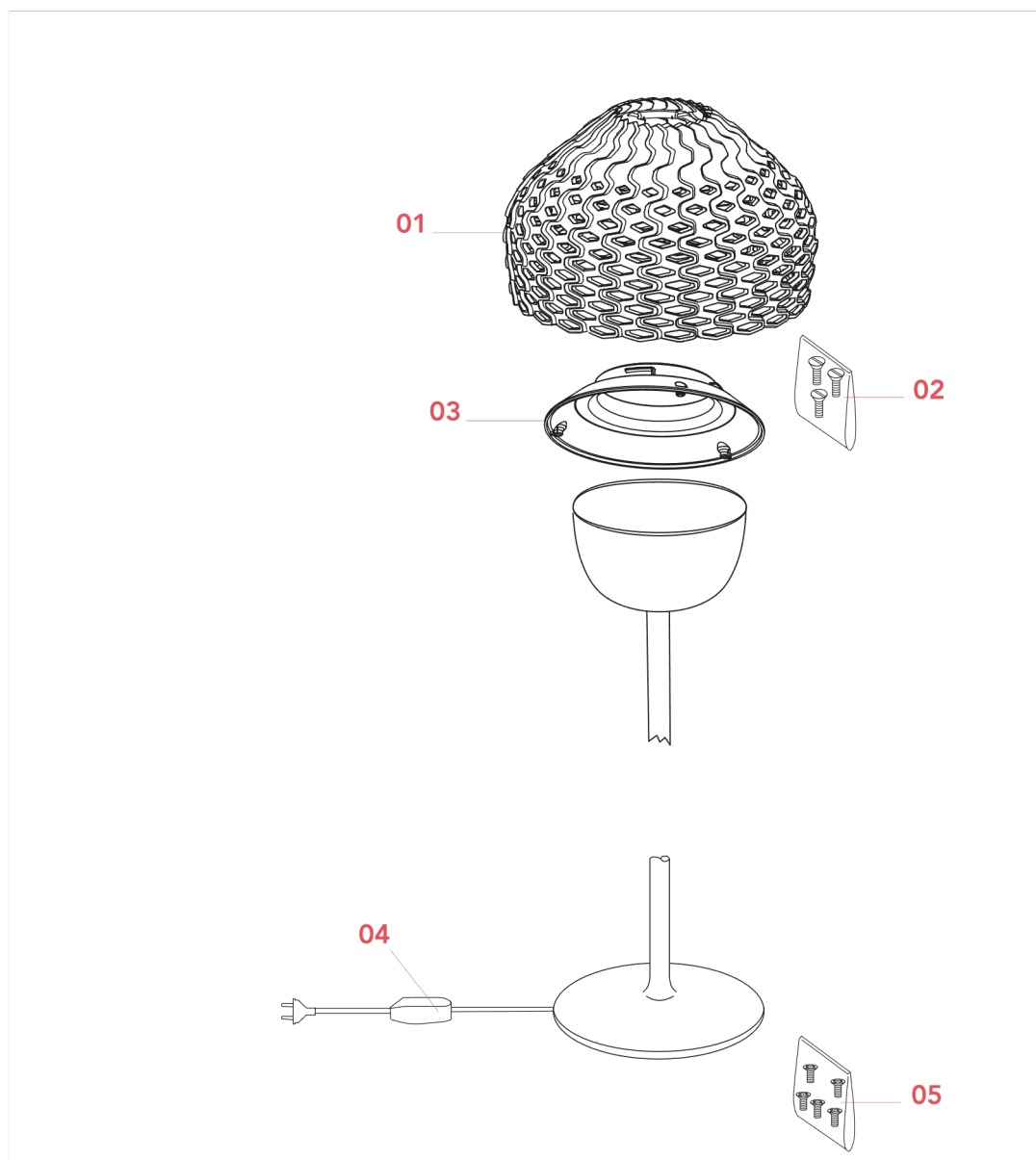
F7764048



## TATOU F

F7764048

EN



- 01. **F7755048** – F-S2 ochre-grey assembly diffuser
- 02. **RF7755100** – Kit with screws for F-S2 opal reflector assembly
- 03. **RF7755200** – F-S2 opal reflector assembly
- 04. **RF29978** – 1012S dimmer 100-240V 4-250WHL 4-25W
- 05. **RF3020100** – Kit of n.5 white feet pads for base

TATOU F F7764048

EN

## F7755048

F-S2 OCHRE-GREY ASSEMBLY DIFFUSER



Tatou F  
p.03



Tatou S2  
p.06

WARNING! When installing and whenever acting on the appliance, ensure that the power supply has been switched off. For the installation of the spare-part, it is necessary to consult a qualified electrician.

TATOU F F7764048

EN

**F7755048**

F-S2 OCHRE-GREY ASSEMBLY DIFFUSER

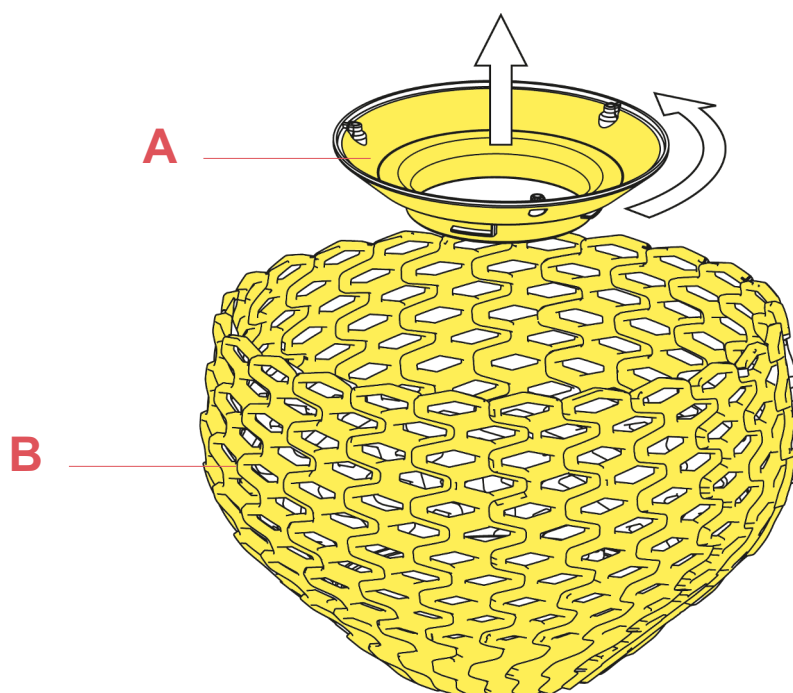


Fig.1

Disassemble the reflector ring (A) from the external diffuser (B) by rotating it slightly anticlockwise.

WARNING! When installing and whenever acting on the appliance, ensure that the power supply has been switched off.  
For the installation of the spare-part, it is necessary to consult a qualified electrician.

TATOU F F7764048

EN

**F7755048**

F-S2 OCHRE-GREY ASSEMBLY DIFFUSER

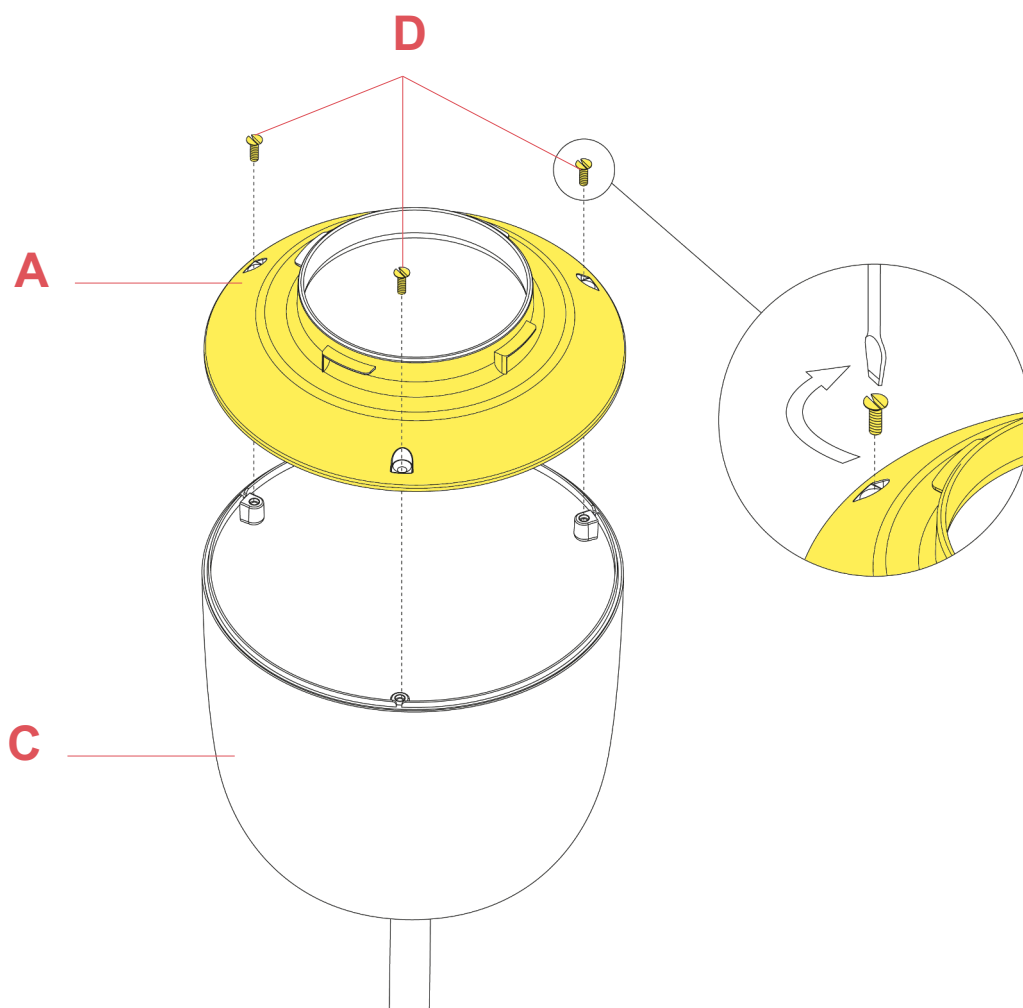


Fig.2

Assemble the reflector ring (A) onto the internal diffuser (C) with the three screws (D) provided (utilize a flat screwdriver).

WARNING! When installing and whenever acting on the appliance, ensure that the power supply has been switched off. For the installation of the spare-part, it is necessary to consult a qualified electrician.

TATOU F F7764048

EN

**F7755048**

F-S2 OCHRE-GREY ASSEMBLY DIFFUSER

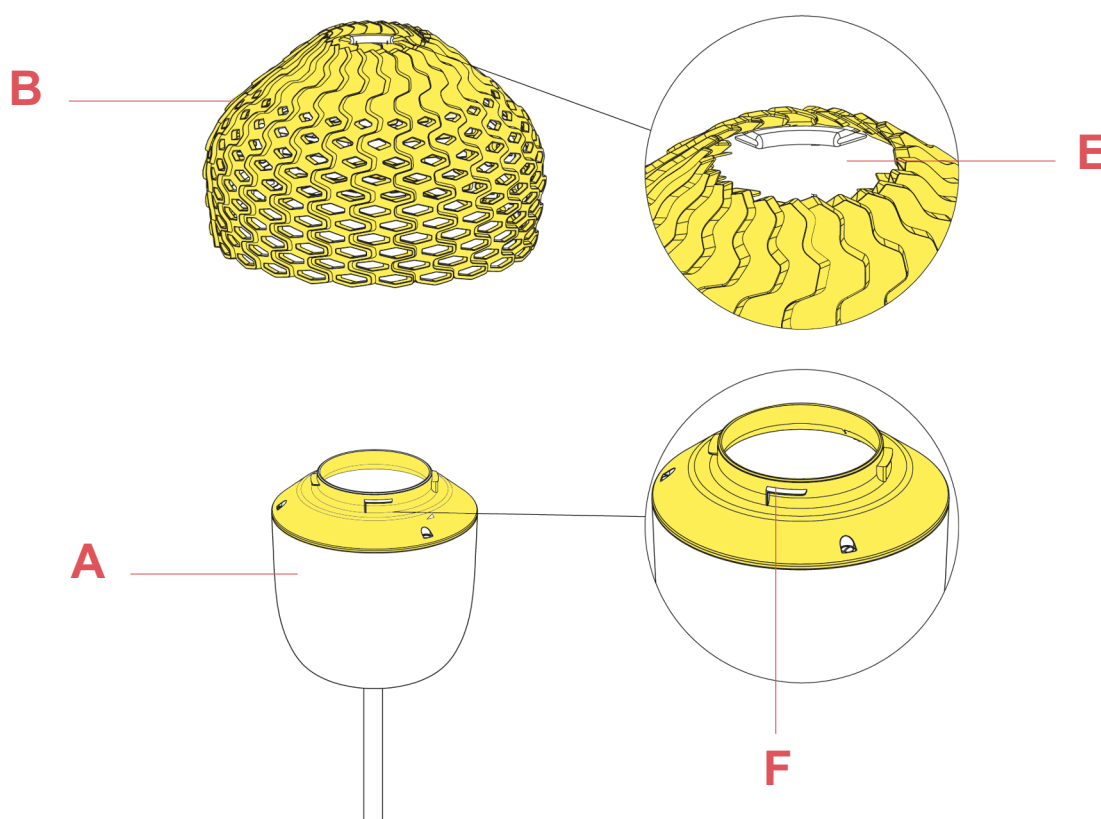


Fig.3

Insert the lamp bulb.

Assemble the external diffuser (B) onto the reflector ring (A) being careful to make the three hooks (F) present on the reflector ring (A) correspond with the relative housings (E) present on the external diffuser (B).

At this point, lock the external diffuser by rotating it slightly clockwise.

WARNING! When installing and whenever acting on the appliance, ensure that the power supply has been switched off. For the installation of the spare-part, it is necessary to consult a qualified electrician.

TATOU F F7764048

EN

## RF7755100

KIT WITH SCREWS FOR F-S2 OPAL REFLECTOR ASSEMBLY



Tatou F  
p.07



Tatou S2  
p.12

WARNING! When installing and whenever acting on the appliance, ensure that the power supply has been switched off.  
For the installation of the spare-part, it is necessary to consult a qualified electrician.

TATOU F F7764048

EN

## RF7755100

KIT WITH SCREWS FOR F-S2 OPAL REFLECTOR ASSEMBLY

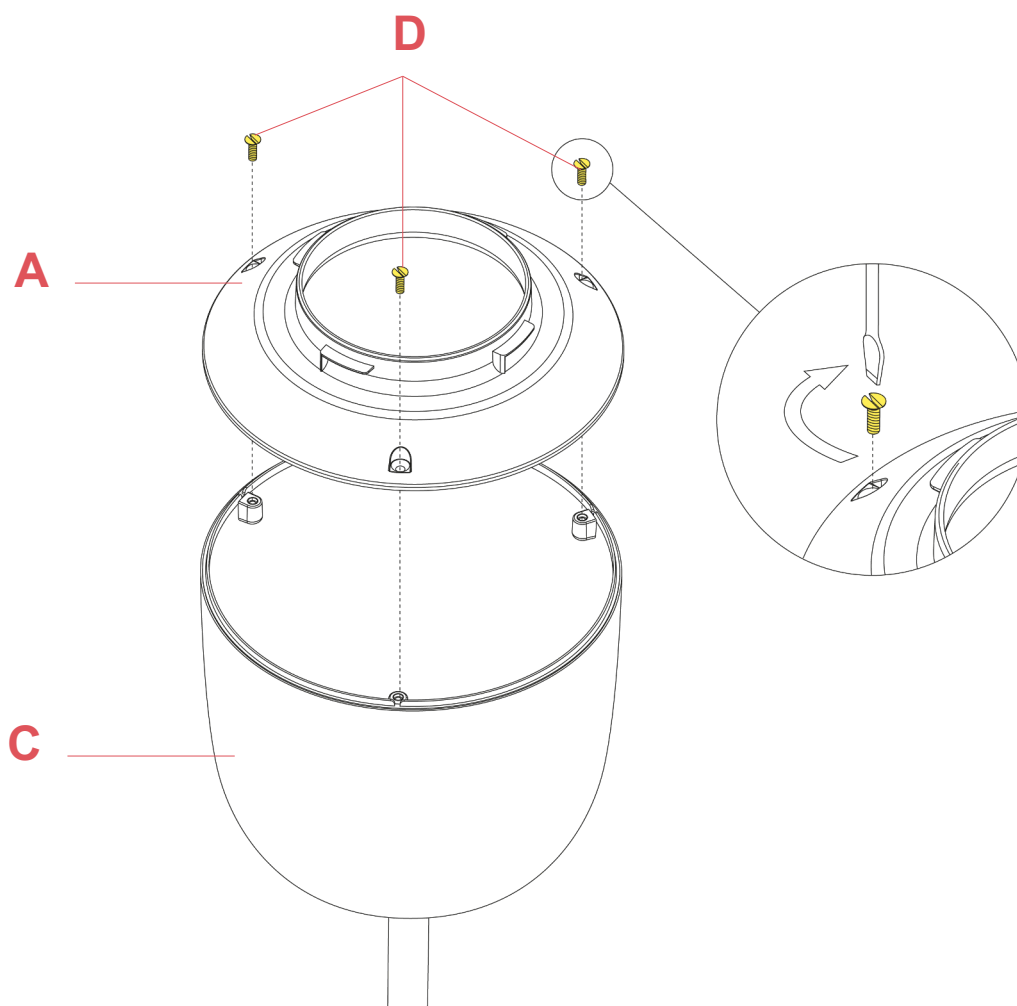


Fig.1

Verify that the lamp-bulb has been removed from the device.

WARNING! When installing and whenever acting on the appliance, ensure that the power supply has been switched off. For the installation of the spare-part, it is necessary to consult a qualified electrician.



TATOU F F7764048

EN

**RF7755100**

KIT WITH SCREWS FOR F-S2 OPAL REFLECTOR ASSEMBLY

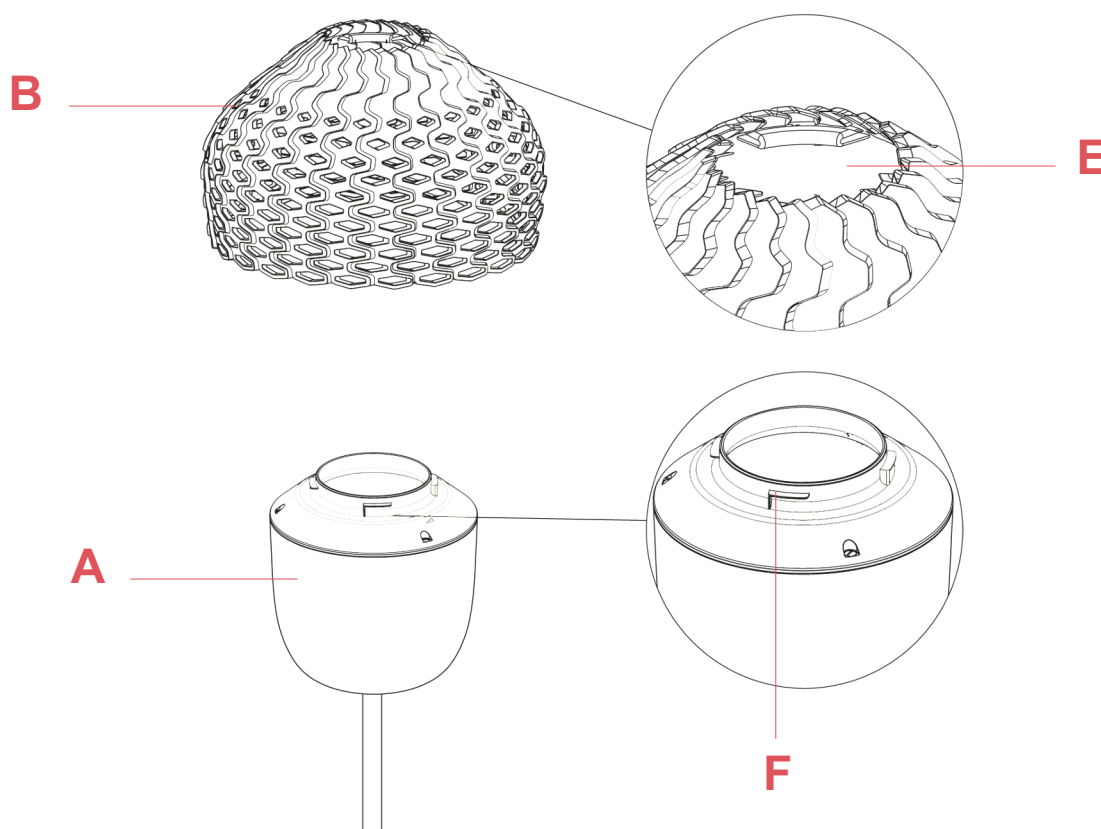


Fig.2

Insert the lamp bulb.

Assemble the external diffuser (B) onto the reflector ring (A) being careful to make the three hooks (F) present on the reflector ring (A) correspond with the relative housings (E) present on the external diffuser (B).

At this point, lock the external diffuser by rotating it slightly clockwise.

WARNING! When installing and whenever acting on the appliance, ensure that the power supply has been switched off.  
For the installation of the spare-part, it is necessary to consult a qualified electrician.

TATOU F F7764048

EN

## RF7755200

F-S2 REFLECTOR ASSEMBLY



Tatou F  
p.10



Tatou S2  
p.21

WARNING! When installing and whenever acting on the appliance, ensure that the power supply has been switched off.  
For the installation of the spare-part, it is necessary to consult a qualified electrician.

TATOU F F7764048

EN

**RF7755200**

F-S2 REFLECTOR ASSEMBLY

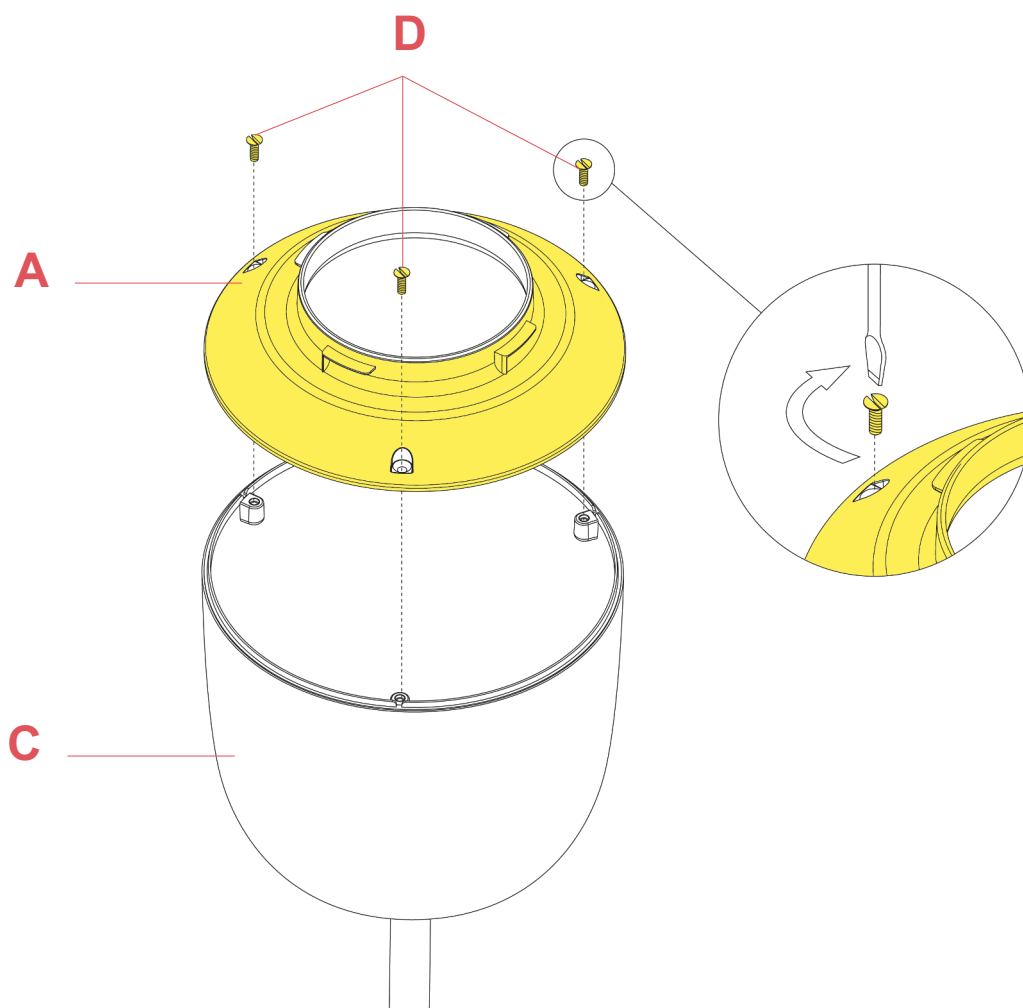


Fig.1

Assemble the reflector ring (A) onto the internal diffuser (C) with the three screws (D) provided (utilize a flat screwdriver).

WARNING! When installing and whenever acting on the appliance, ensure that the power supply has been switched off. For the installation of the spare-part, it is necessary to consult a qualified electrician.

TATOU F F7764048

EN

**RF7755200**

F-S2 REFLECTOR ASSEMBLY

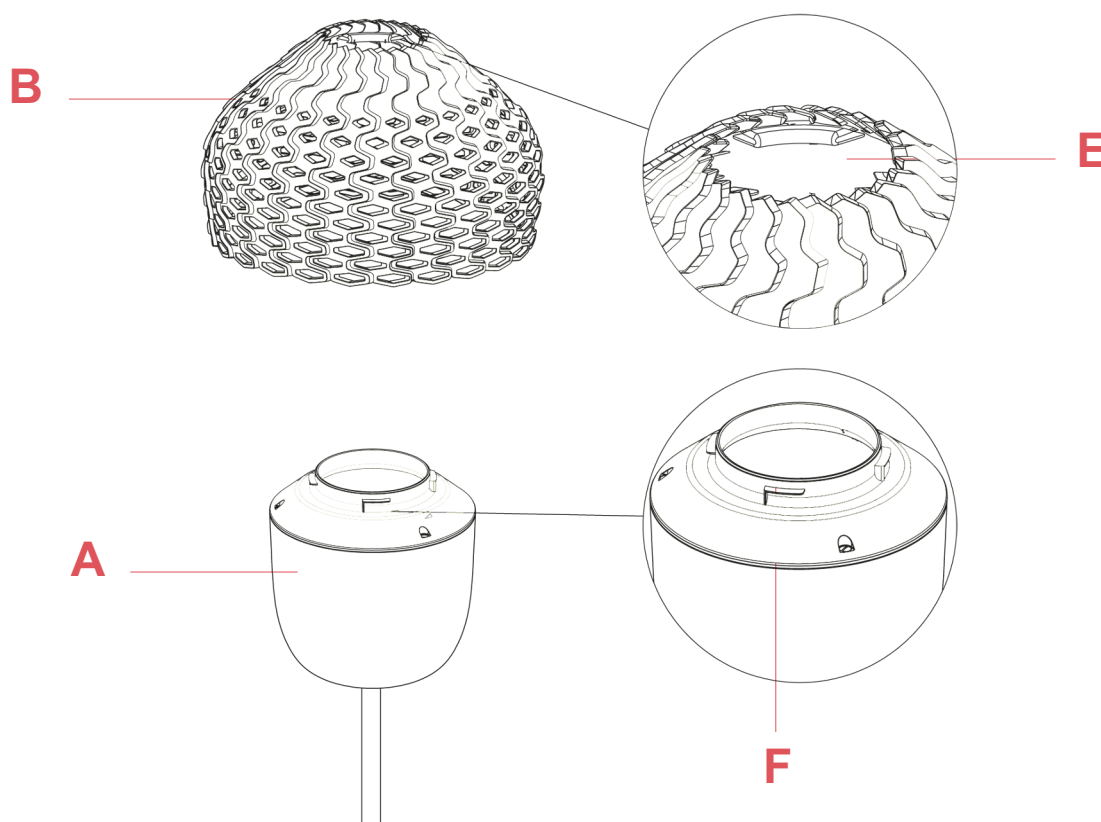


Fig.4

Insert the lamp bulb.

Assemble the external diffuser (B) onto the reflector ring (A) being careful to make the three hooks (F) present on the reflector ring (A) correspond with the relative housings (E) present on the external diffuser (B).

At this point, lock the external diffuser by rotating it slightly clockwise.

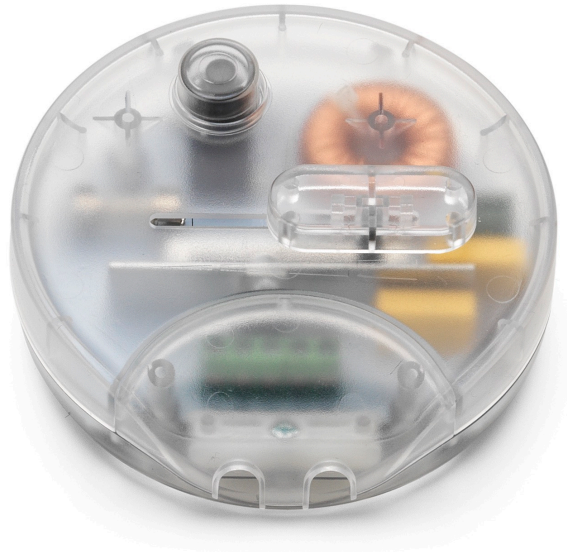
WARNING! When installing and whenever acting on the appliance, ensure that the power supply has been switched off.  
For the installation of the spare-part, it is necessary to consult a qualified electrician.

TATOU F F7764048

EN

**RF29978**

1012S DIMMER 100-240V 4-250WHL 4-25W



WARNING! When installing and whenever acting on the appliance, ensure that the power supply has been switched off.  
For the installation of the spare-part, it is necessary to consult a qualified electrician.

©2021 Flos - All rights reserved - [www.flos.com](http://www.flos.com)  
Flos reserves the right to introduce any changes to its own models, without prior notice.

TATOU F F7764048

EN

## RF29978

1012S DIMMER 100-240V 4-250WHL 4-25W

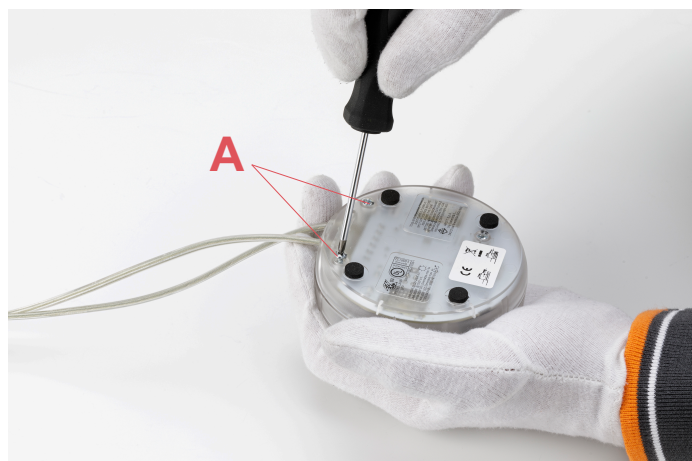


Fig.1

Open the box of the damaged dimmer.  
Unfasten the fixing screws (A).



Fig.2

Turn the dimmer box and remove the terminal  
cover.

WARNING! When installing and whenever acting on the appliance, ensure that the power supply has been switched off.  
For the installation of the spare-part, it is necessary to consult a qualified electrician.

TATOU F F7764048

EN

## RF29978

1012S DIMMER 100-240V 4-250WHL 4-25W



Fig.3

Unfasten the screws of the cable clamp.



Fig.4

Remove the cable white clamp and disconnect the wires from the green terminal box.

Assemble now the new dimmer:  
Connect the conductors respecting the polarities, lock the cables by positioning the cable clamp and then fasten the screw, cover the green terminal box with the cover, turn the dimmer box, fasten back the screws and stick-on the rubber pads.

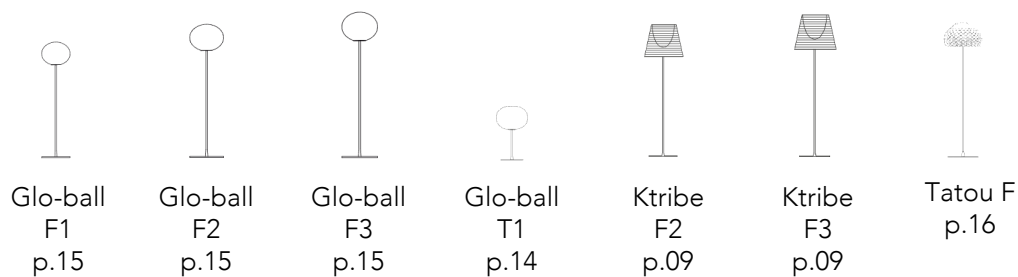
WARNING! When installing and whenever acting on the appliance, ensure that the power supply has been switched off.  
For the installation of the spare-part, it is necessary to consult a qualified electrician.

TATOU F F7764048

EN

## RF3020100

KIT OF N. 5 WHITE FEET PADS FOR BASE



WARNING! When installing and whenever acting on the appliance, ensure that the power supply has been switched off.  
For the installation of the spare-part, it is necessary to consult a qualified electrician.



TATOU F F7764048

EN

**RF3020100**

KIT OF N. 5 WHITE FEET PADS FOR BASE



Fig.1

Glue the feet (A) to the base by utilizing glue. We advise to utilize the Loctite 454 glue.

WARNING! When installing and whenever acting on the appliance, ensure that the power supply has been switched off. For the installation of the spare-part, it is necessary to consult a qualified electrician.