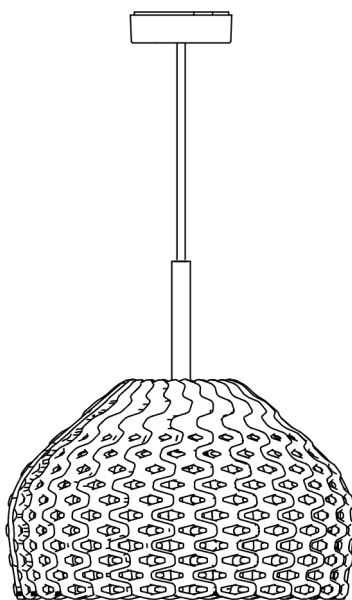


TATOU S1

Designed by Patricia Urquiola, 2012

F7762009



TATOU S1

F7762009

EN



- 01. RF7753109 – White ceiling rose assembly
- 03. F7751009 – T1-S1 white assembly diffuser
- 04. RF22268 – E27 version lamp holder
- 05. RF7751100 – Kit with screws for T1-S1 opal reflector assembly
- 06. RF7751200 – T1-S1 opal reflector assembly
- 07. RF22435 – New internal S1 diffuser compatible for G9 and E27 versions

TATOU S1 F7762009

EN

RF7753109

WHITE CEILING ROSE ASSEMBLY



WARNING! When installing and whenever acting on the appliance, ensure that the power supply has been switched off.
For the installation of the spare-part, it is necessary to consult a qualified electrician.

©2021 Flos - All rights reserved - www.flos.com
Flos reserves the right to introduce any changes to its own models, without prior notice.

TATOU S1 F7762009

EN

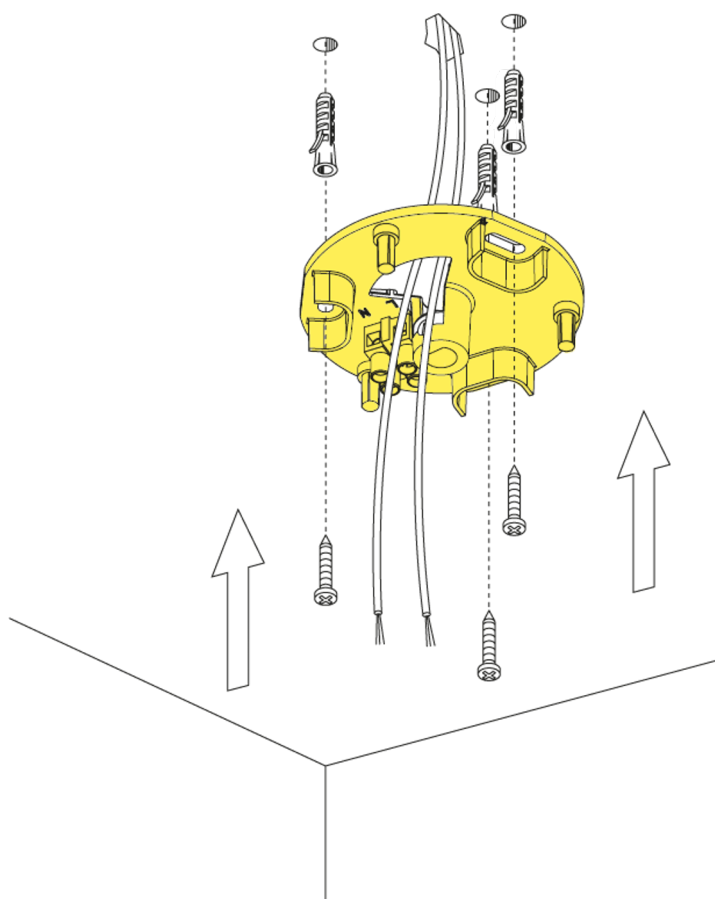
RF7753109
WHITE CEILING ROSE ASSEMBLY

Fig.1

Install the wall fitting to the ceiling with screws and plugs, ensuring that the power wires pass through the central hole.

NOTE: Choose screw plugs that are suitable for the type of mounting surface.

WARNING! When installing and whenever acting on the appliance, ensure that the power supply has been switched off.
For the installation of the spare-part, it is necessary to consult a qualified electrician.

TATOU S1 F7762009

EN

F7751009

TATOU T1-S1 WHITE ASSEMBLY DIFFUSER



Tatou S1
p.05



Tatou T1
p.03

WARNING! When installing and whenever acting on the appliance, ensure that the power supply has been switched off.
For the installation of the spare-part, it is necessary to consult a qualified electrician.

TATOU S1 F7762009

EN

F7751009

TATOU T1-S1 WHITE ASSEMBLY DIFFUSER

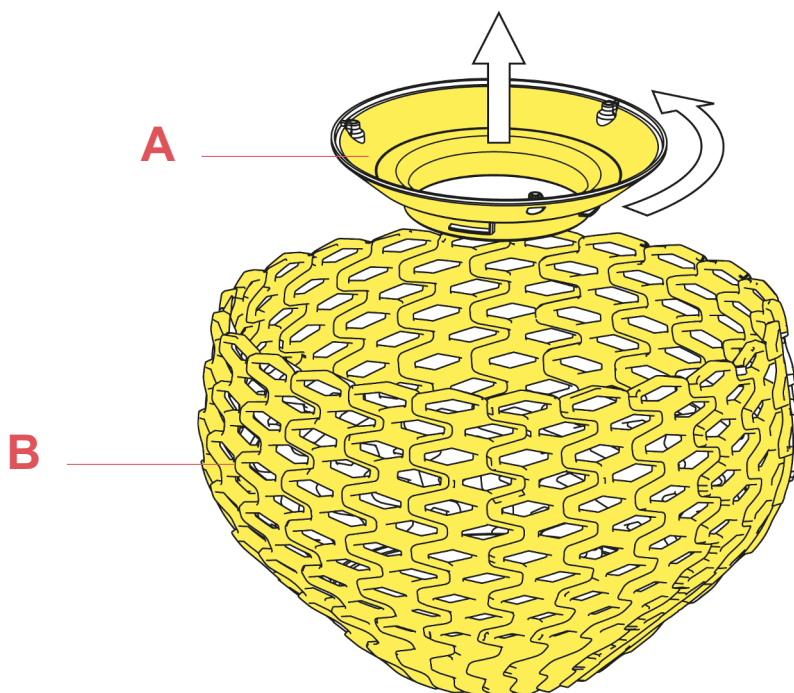


Fig.1

Disassemble the reflector ring (A) from the external diffuser (B) by rotating it slightly anticlockwise.

WARNING! When installing and whenever acting on the appliance, ensure that the power supply has been switched off.
For the installation of the spare-part, it is necessary to consult a qualified electrician.

TATOU S1 F7762009

EN

F7751009

TATOU T1-S1 WHITE ASSEMBLY DIFFUSER

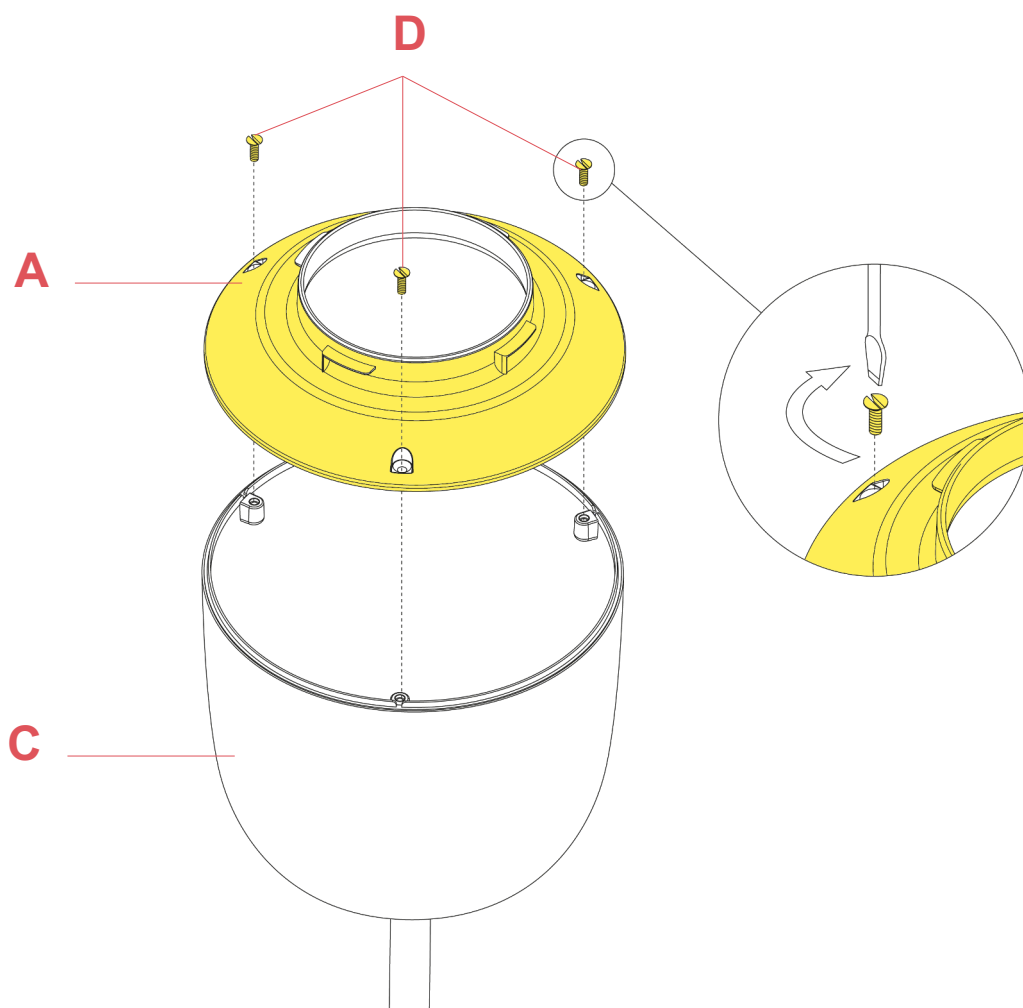


Fig.2

Assemble the reflector ring (A) on the internal diffuser (C) by fastening the three screws (D). Please utilize flat blade screwdriver.

WARNING! When installing and whenever acting on the appliance, ensure that the power supply has been switched off. For the installation of the spare-part, it is necessary to consult a qualified electrician.

TATOU S1 F7762009

EN

F7751009

TATOU T1-S1 WHITE ASSEMBLY DIFFUSER

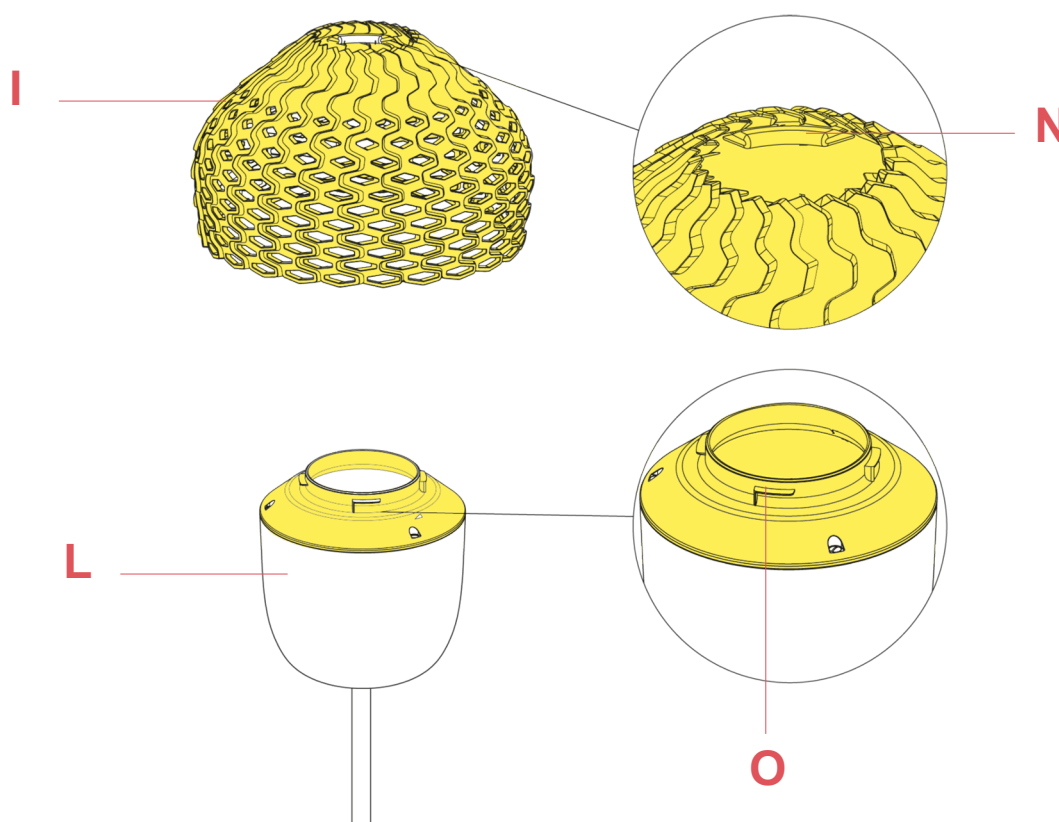


Fig.3

Assemble the external diffuser (I) onto the reflector ring (L) being careful to make the three hooks (O) present on the reflector ring (O) correspond with the relative housings (L) present on the external diffuser (I).
At this point, lock the external diffuser by rotating it slightly clockwise.

WARNING! When installing and whenever acting on the appliance, ensure that the power supply has been switched off.
For the installation of the spare-part, it is necessary to consult a qualified electrician.

TATOU S1 F7762009

EN

F7751009

TATOU T1-S1 WHITE ASSEMBLY DIFFUSER

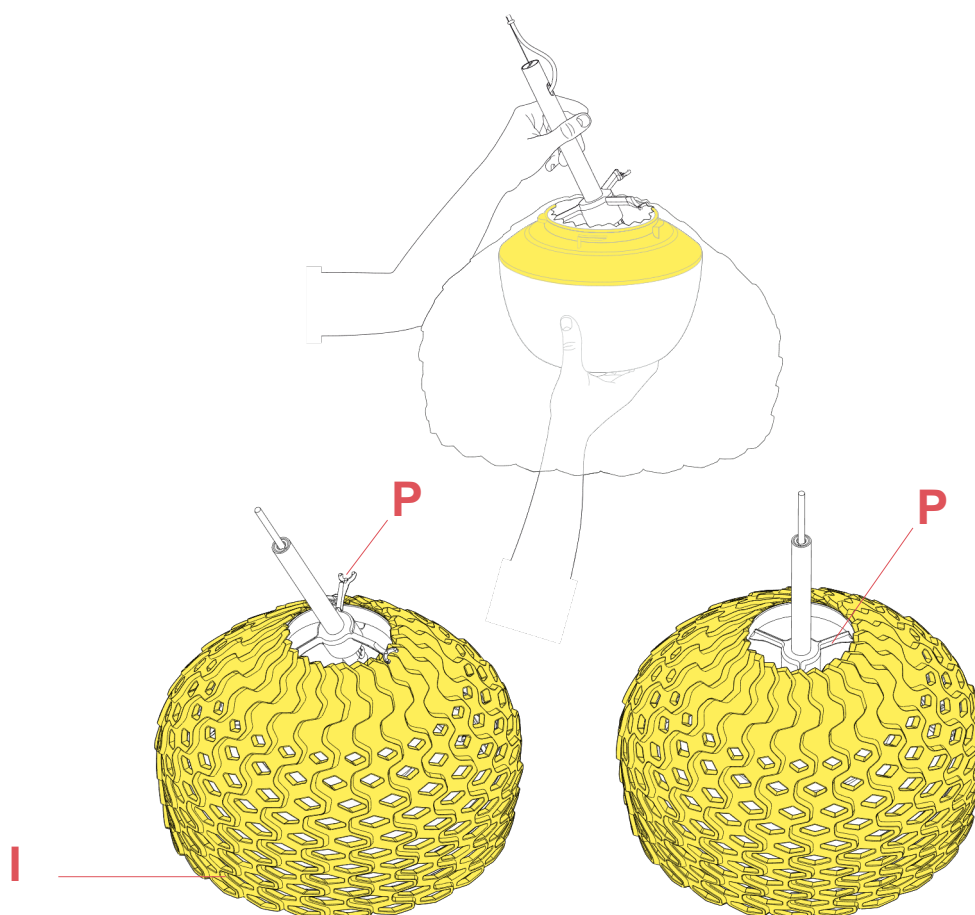


Fig.4

Fit the diffuser (I) onto the supports of the three arms (P), by tilting the supports as shown in the image, by inserting first the lamp-bulb and one arm through the lamp hole.

WARNING! When installing and whenever acting on the appliance, ensure that the power supply has been switched off. For the installation of the spare-part, it is necessary to consult a qualified electrician.

TATOU S1 F7762009

EN

RF22268

E27 LAMP HOLDER VERSION



WARNING! When installing and whenever acting on the appliance, ensure that the power supply has been switched off.
For the installation of the spare-part, it is necessary to consult a qualified electrician.

©2021 Flos - All rights reserved - www.flos.com
Flos reserves the right to introduce any changes to its own models, without prior notice.

TATOU S1 F7762009

EN

RF22268

E27 LAMP HOLDER VERSION

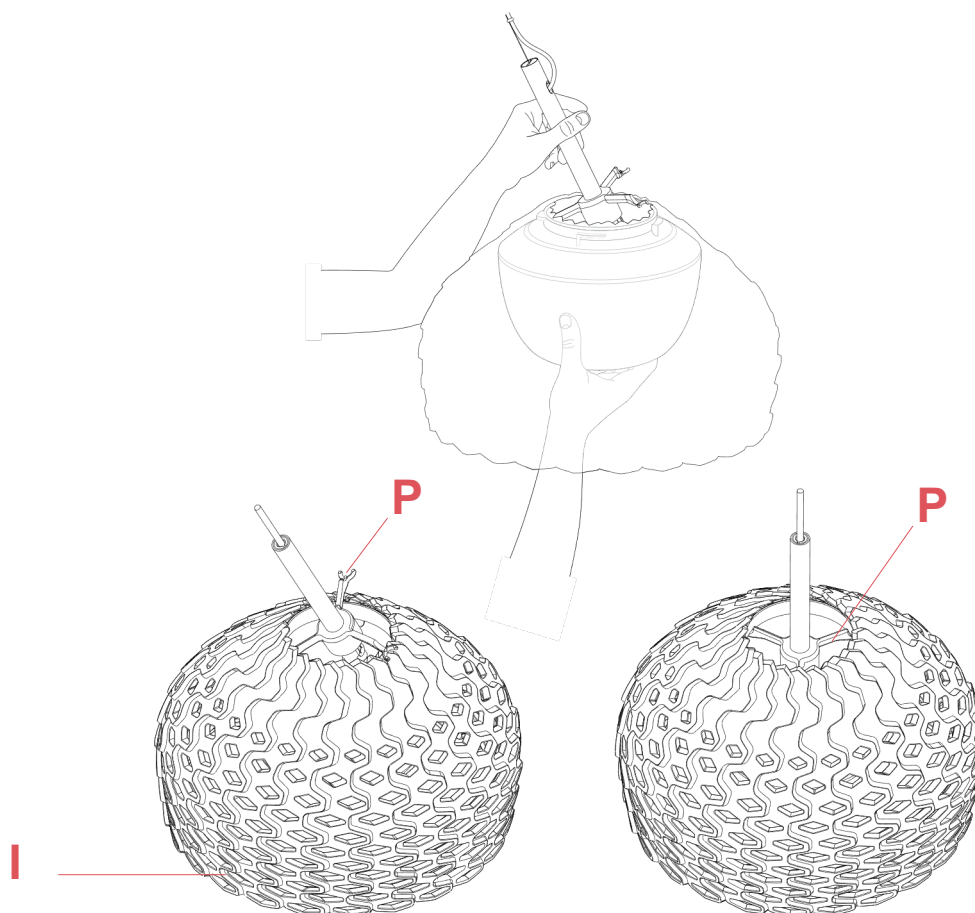


Fig.1

Remove the diffuser (I) by unhooking the three arms (P).

WARNING! When installing and whenever acting on the appliance, ensure that the power supply has been switched off. For the installation of the spare-part, it is necessary to consult a qualified electrician.

TATOU S1 F7762009

EN

RF22268

E27 LAMP HOLDER VERSION

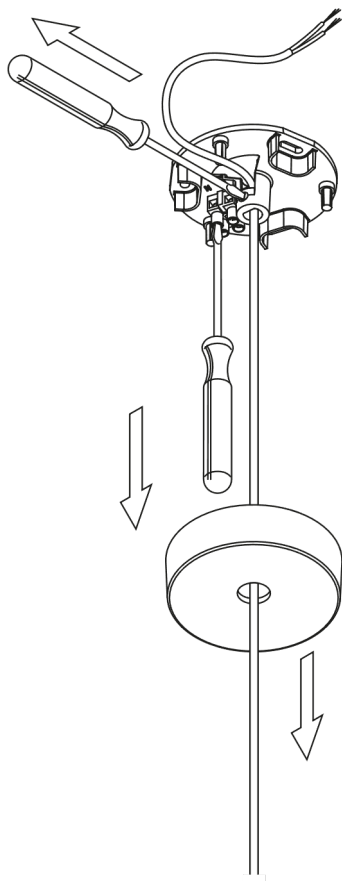


Fig.2

Unhook the ceiling rose (A) from the ceiling attachment (B).
Disconnect the lamp feed cable from the terminal box (C).
Unfasten the cable clamp screw (D) and slide-off the lamp feed cable (E)
from the ceiling attachment (B) and from the ceiling rose (A).

WARNING! When installing and whenever acting on the appliance, ensure that the power supply has been switched off.
For the installation of the spare-part, it is necessary to consult a qualified electrician.

TATOU S1 F7762009

EN

RF22268

E27 LAMP HOLDER VERSION

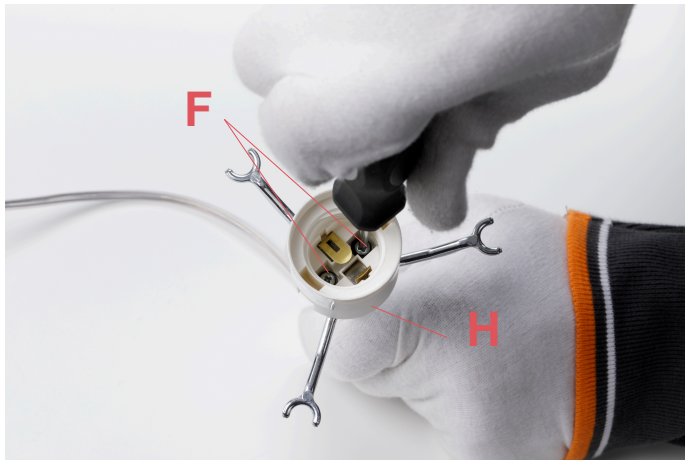


Fig.3

Unfasten the two screws (F) from the damaged lamp assembly (H).(Fig.3 page 13)

Disconnect the electrical wires from the lamp holder by pressing the push terminals with a paper clip (I).(Fig.4 page 13)

Assemble now the spare-part:

Connect the electrical wires respecting the polarities to the lamp holder push-terminals (H) and assemble the lamp holder to the support by fastening the screws (F).(Fig.3 page 13)



Fig.4

Insert the cable through the ceiling rose (A). Position the protection sheath (G) at the height of the screw (D), then lock the lamp feed cable by tightening the screw (D). Connect the electric conductors to the terminal box (C). Assemble the ceiling rose (A) onto the wall fitting (B).(Fig.2 page 12)

Fit the diffuser (I) onto the supports of the three arms (P), by tilting the supports as shown in the image, by inserting first the lamp-bulb and one arm through the lamp hole.(Fig.1 page 11)

WARNING! When installing and whenever acting on the appliance, ensure that the power supply has been switched off. For the installation of the spare-part, it is necessary to consult a qualified electrician.

TATOU S1 F7762009

EN

RF7751100

KIT WITH SCREWS FOR T1-S1 OPAL REFLECTOR ASSEMBLY



Tatou S1
p.14



Tatou T1
p.07

WARNING! When installing and whenever acting on the appliance, ensure that the power supply has been switched off.
For the installation of the spare-part, it is necessary to consult a qualified electrician.

TATOU S1 F7762009

EN

RF7751100

KIT WITH SCREWS FOR T1-S1 OPAL REFLECTOR ASSEMBLY

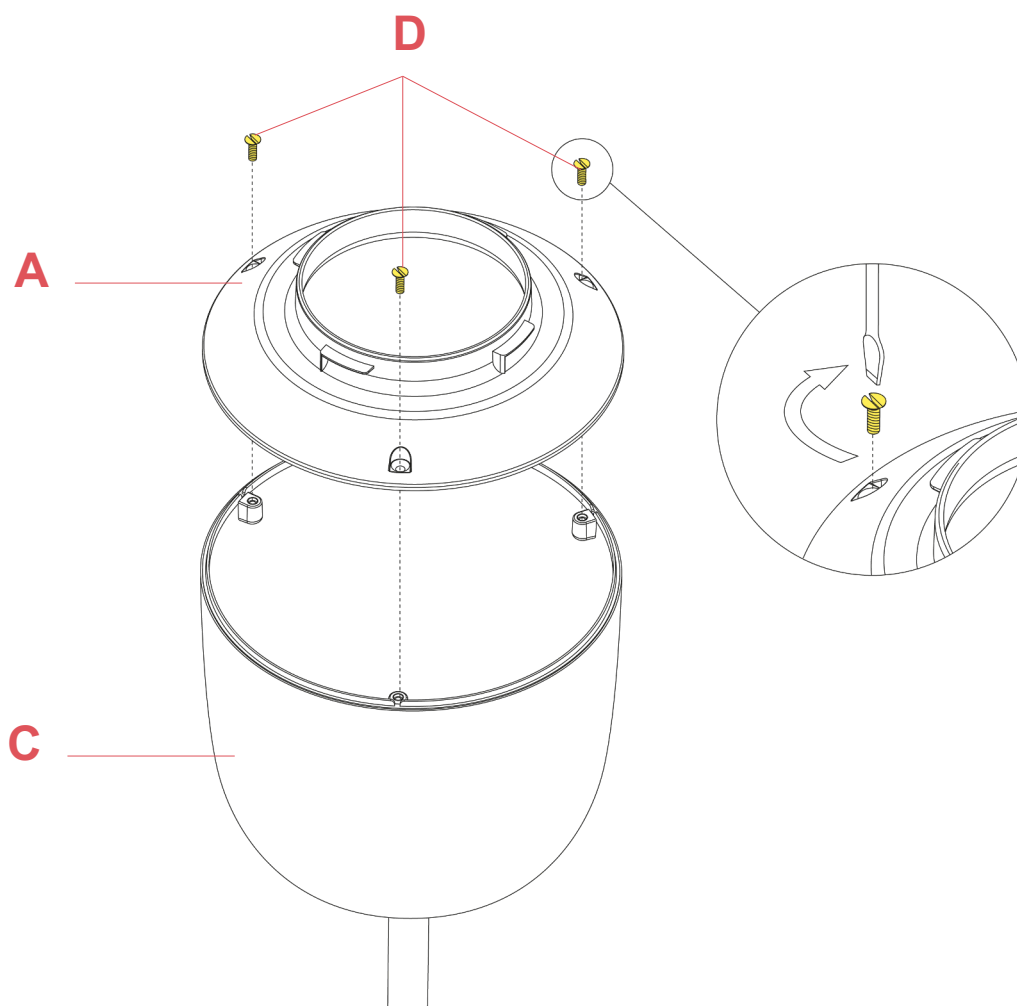


Fig.1

Assemble the reflector ring (A) on the internal diffuser (C) by fastening the three screws (D). Please utilize flat blade screwdriver.

WARNING! When installing and whenever acting on the appliance, ensure that the power supply has been switched off. For the installation of the spare-part, it is necessary to consult a qualified electrician.

TATOU S1 F7762009

EN

RF7751100

KIT WITH SCREWS FOR T1-S1 OPAL REFLECTOR ASSEMBLY

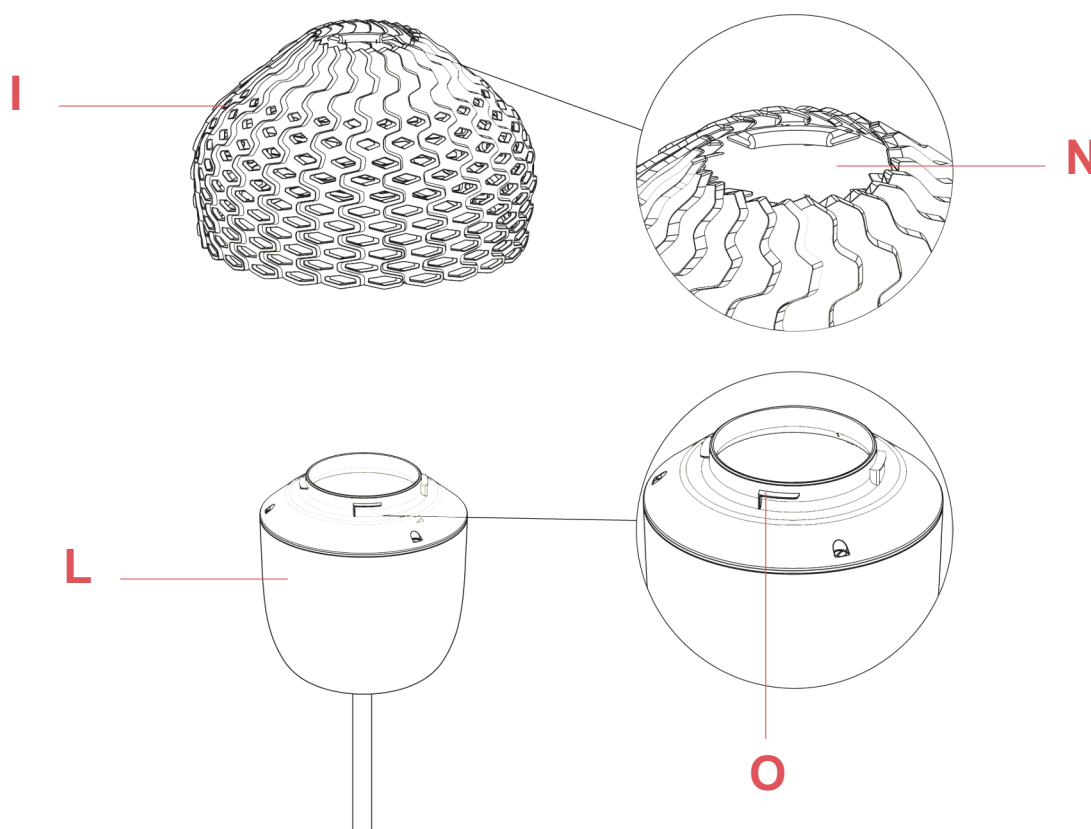


Fig.2

Assemble the external diffuser (I) onto the reflector ring (L) being careful to make the three hooks (O) present on the reflector ring (O) correspond with the relative housings (L) present on the external diffuser (I).
At this point, lock the external diffuser by rotating it slightly clockwise.

WARNING! When installing and whenever acting on the appliance, ensure that the power supply has been switched off.
For the installation of the spare-part, it is necessary to consult a qualified electrician.

TATOU S1 F7762009

EN

RF7751100

KIT WITH SCREWS FOR T1-S1 OPAL REFLECTOR ASSEMBLY

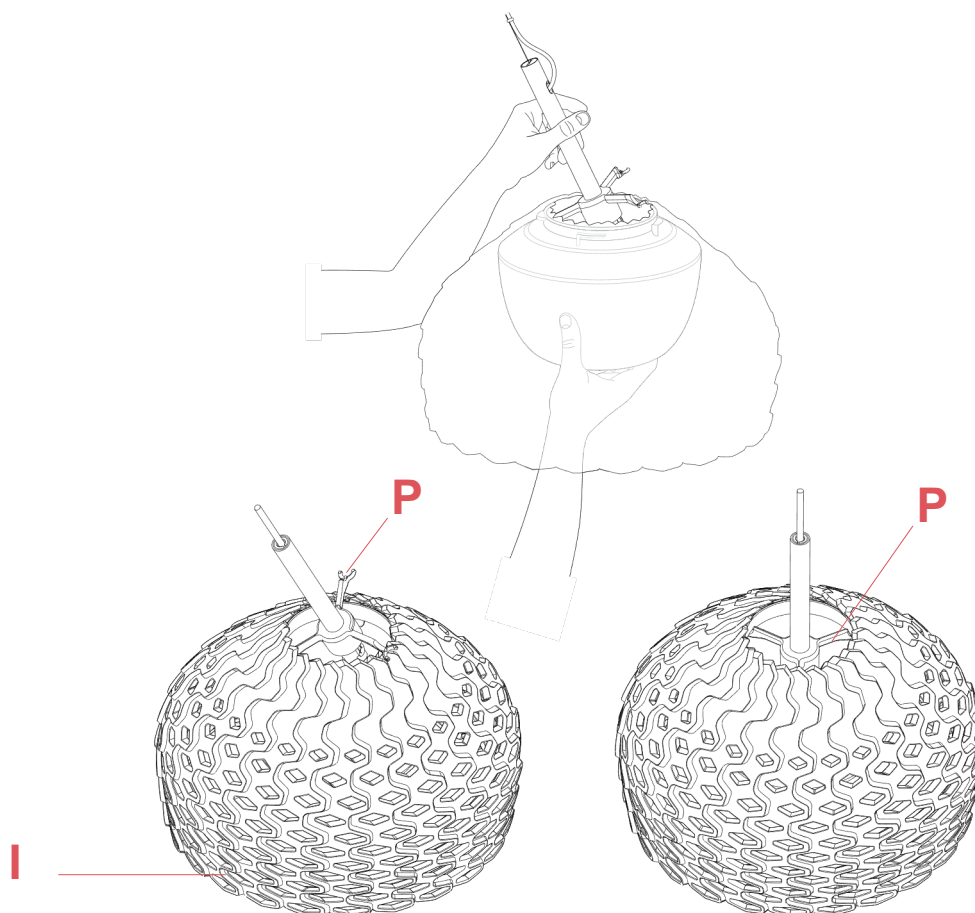


Fig.3

Fit the diffuser (I) onto the supports of the three arms (P), by tilting the supports as shown in the image, by inserting first the lamp-bulb and one arm through the lamp hole.

WARNING! When installing and whenever acting on the appliance, ensure that the power supply has been switched off. For the installation of the spare-part, it is necessary to consult a qualified electrician.

TATOU S1 F7762009

EN

RF7751200

T1-S1 OPAL REFLECTOR ASSEMBLY



Tatou S1
p.18



Tatou T1
p.10

WARNING! When installing and whenever acting on the appliance, ensure that the power supply has been switched off.
For the installation of the spare-part, it is necessary to consult a qualified electrician.

TATOU S1 F7762009

EN

RF7751200

T1-S1 OPAL REFLECTOR ASSEMBLY

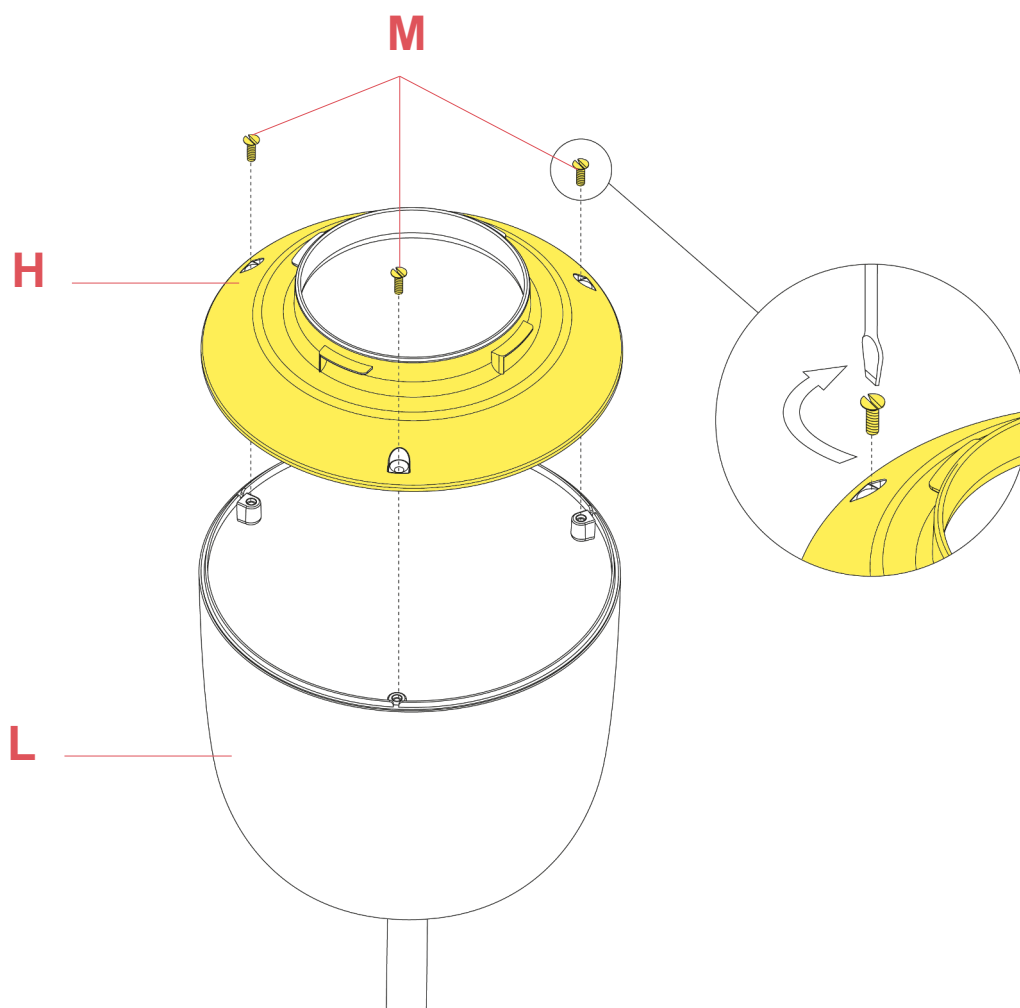


Fig.1

Assemble the reflector ring (H) onto the internal diffuser (L) by fastening the three screws (M). Please utilize flat blade screwdriver.

WARNING! When installing and whenever acting on the appliance, ensure that the power supply has been switched off. For the installation of the spare-part, it is necessary to consult a qualified electrician.

TATOU S1 F7762009

EN

RF7751200

T1-S1 OPAL REFLECTOR ASSEMBLY

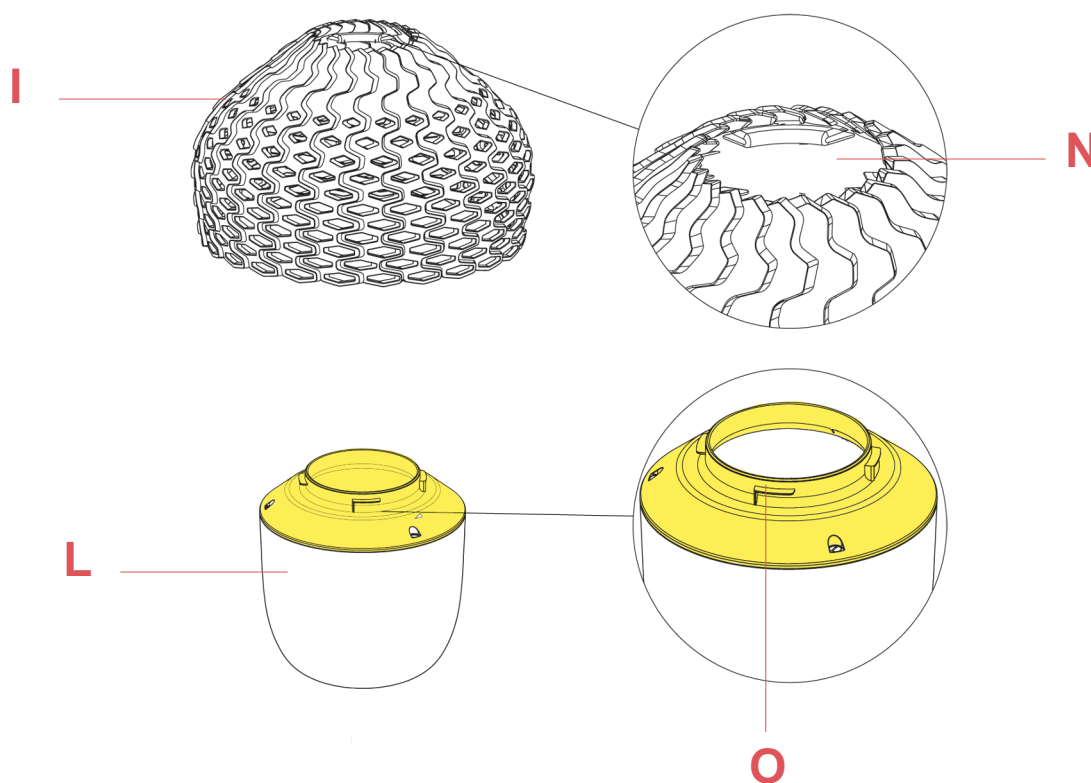


Fig.2

Assemble the external diffuser (I) onto the reflector ring (L) being careful to make the three hooks (O) present on the reflector ring (O) correspond with the relative housings (L) present on the external diffuser (I).
At this point, lock the external diffuser by rotating it slightly clockwise.

WARNING! When installing and whenever acting on the appliance, ensure that the power supply has been switched off.
For the installation of the spare-part, it is necessary to consult a qualified electrician.

TATOU S1 F7762009

EN

RF7751200

T1-S1 OPAL REFLECTOR ASSEMBLY

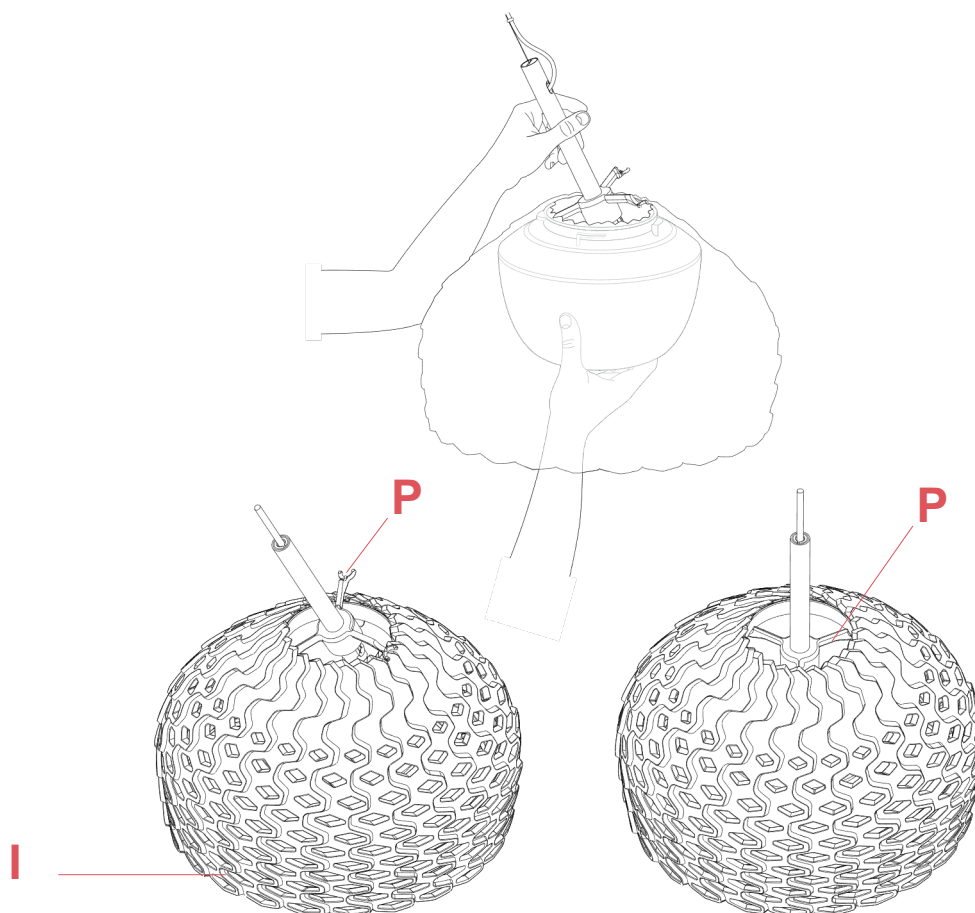


Fig.3

Fit the diffuser (I) onto the supports of the three arms (P), by tilting the supports as shown in the image, by inserting first the lamp-bulb and one arm through the lamp hole.

WARNING! When installing and whenever acting on the appliance, ensure that the power supply has been switched off. For the installation of the spare-part, it is necessary to consult a qualified electrician.

TATOU S1 F7762009

EN

RF22435

OPAL INTERNAL S1 DIFFUSER



WARNING! When installing and whenever acting on the appliance, ensure that the power supply has been switched off.
For the installation of the spare-part, it is necessary to consult a qualified electrician.

©2021 Flos - All rights reserved - www.flos.com
Flos reserves the right to introduce any changes to its own models, without prior notice.

TATOU S1 F7762009

EN

RF22435

OPAL INTERNAL S1 DIFFUSER

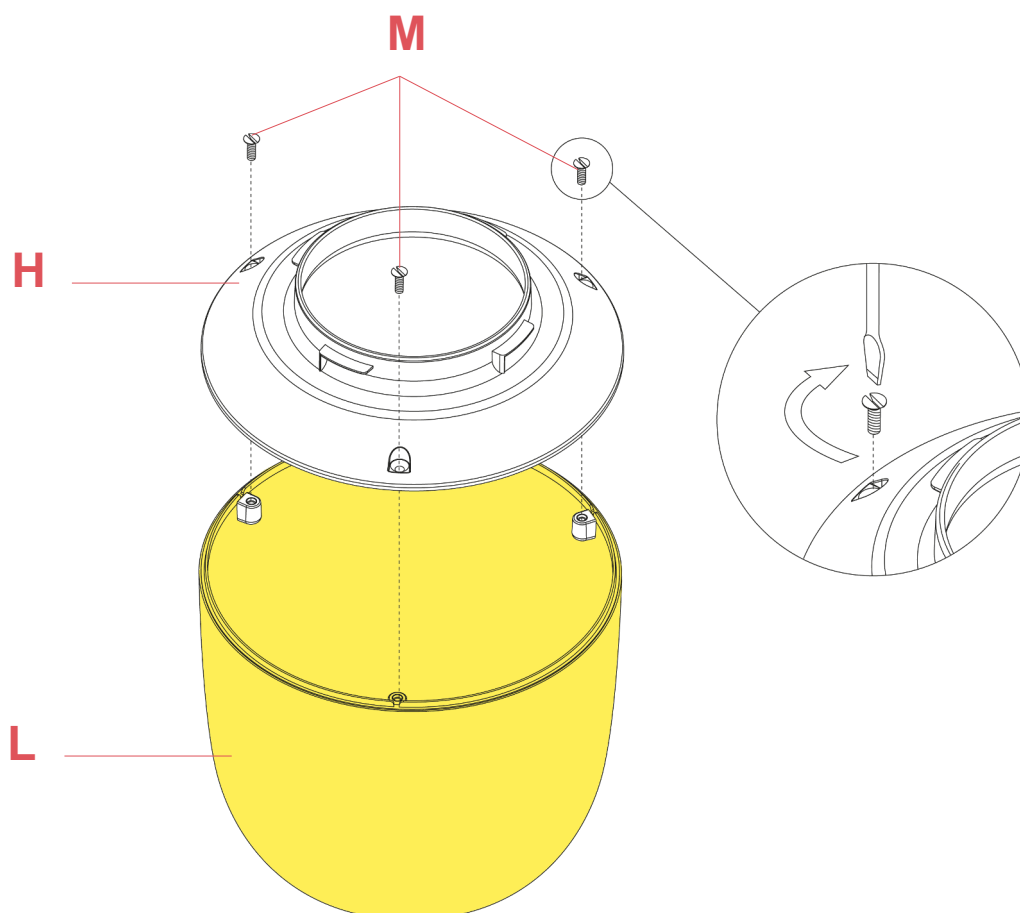


Fig.1

Assemble the reflector ring (H) onto the internal diffuser (L) by fastening the three screws (M). Please utilize flat blade screwdriver.

WARNING! When installing and whenever acting on the appliance, ensure that the power supply has been switched off. For the installation of the spare-part, it is necessary to consult a qualified electrician.

TATOU S1 F7762009

EN

RF22435

OPAL INTERNAL S1 DIFFUSER

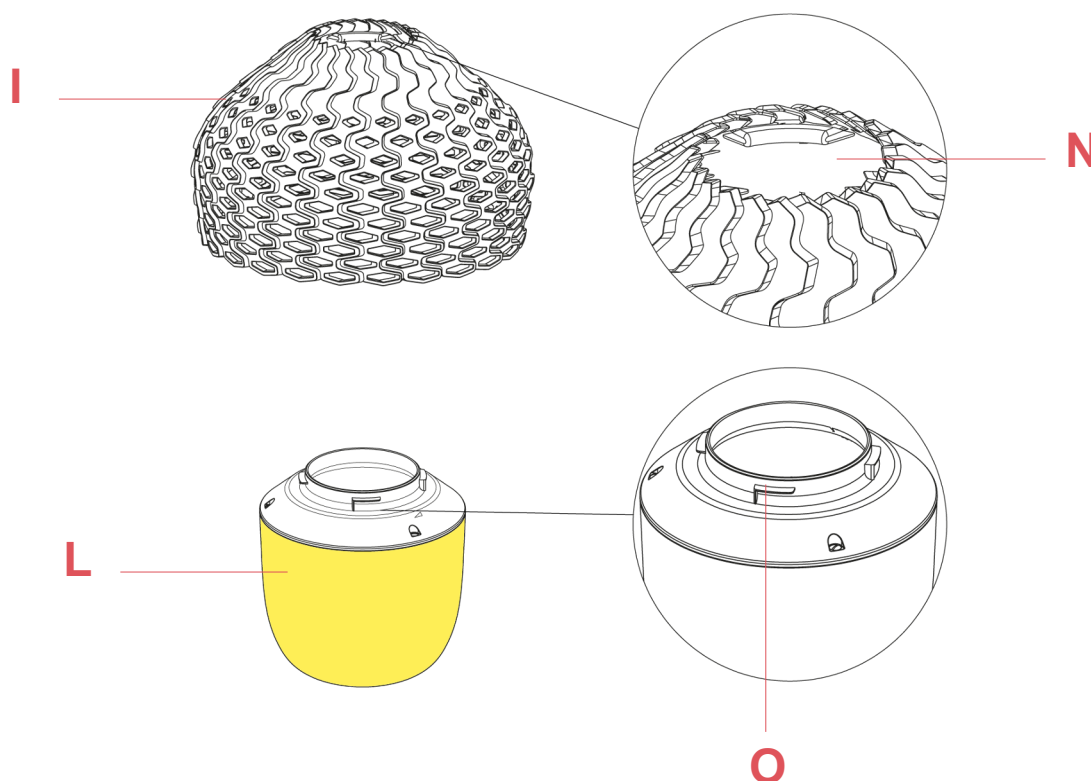


Fig.2

Assemble the external diffuser (I) into the reflector ring (L) being careful to make the three hooks (O) present on the reflector ring (O) correspond with the relative housings (L) present on the external diffuser (I).
At this point, lock the external diffuser by rotating it slightly clockwise.

WARNING! When installing and whenever acting on the appliance, ensure that the power supply has been switched off.
For the installation of the spare-part, it is necessary to consult a qualified electrician.

©2021 Flos - All rights reserved - www.flos.com
Flos reserves the right to introduce any changes to its own models, without prior notice.

TATOU S1 F7762009

EN

RF22435

OPAL INTERNAL S1 DIFFUSER

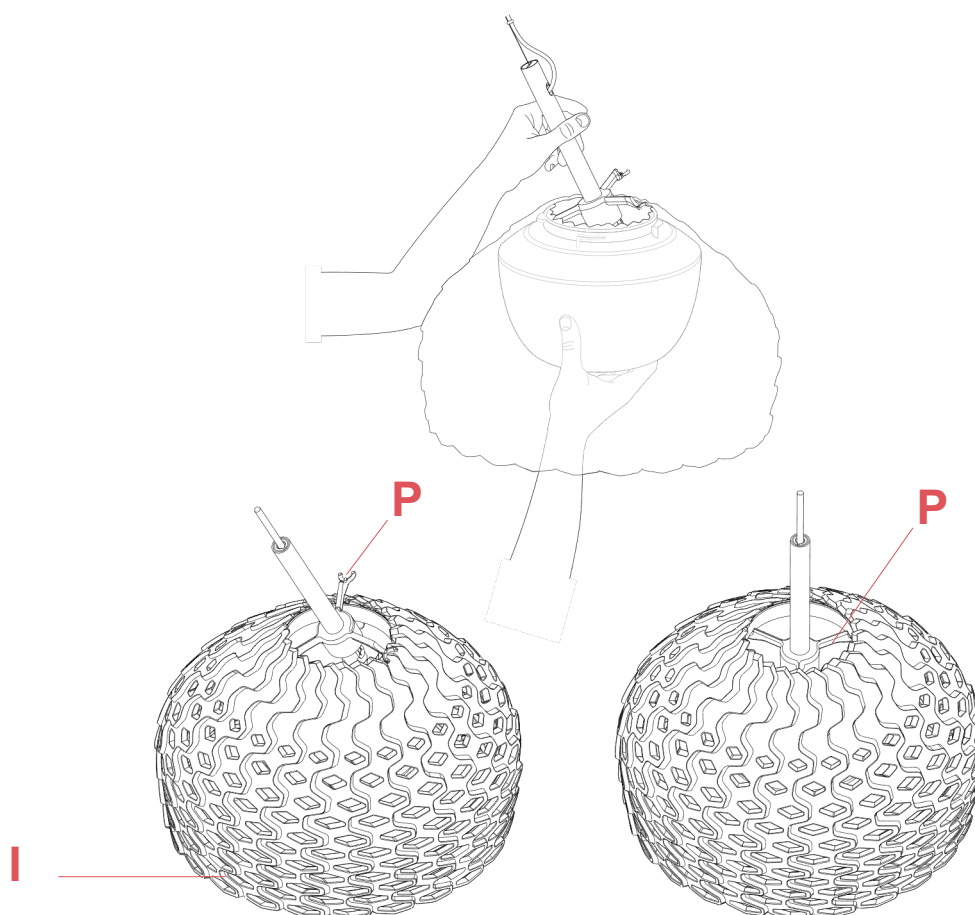


Fig.3

Fit the diffuser (I) onto the supports of the three arms (P), by tilting the supports as shown in the image, by inserting first the lamp-bulb and one arm through the lamp hole.

WARNING! When installing and whenever acting on the appliance, ensure that the power supply has been switched off. For the installation of the spare-part, it is necessary to consult a qualified electrician.