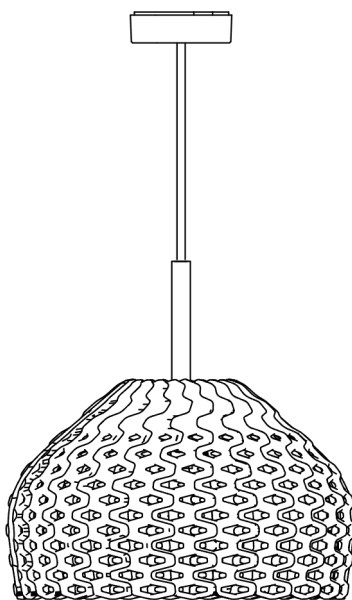


TATOU S2

Designed by Patricia Urquiola, 2012

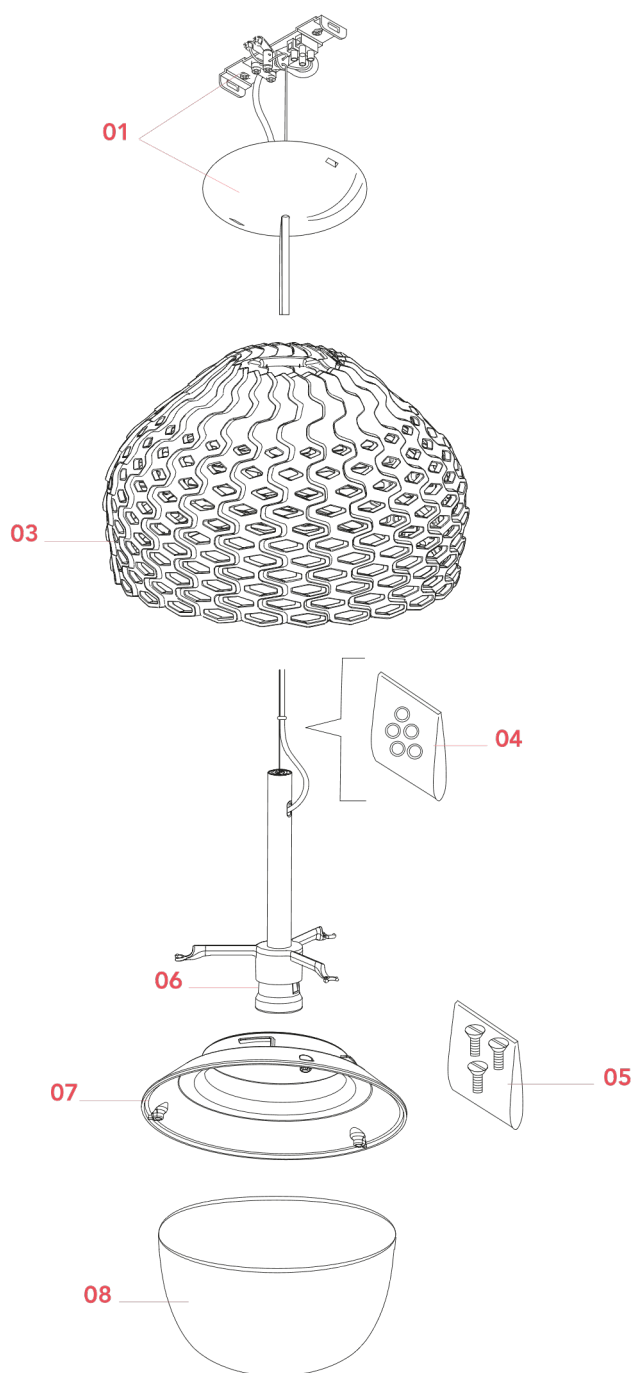
F7766048



TATOU S2

F7766048

EN



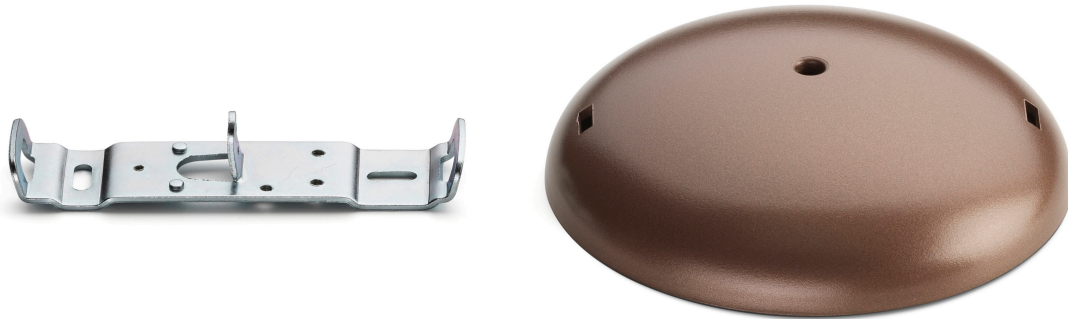
- 01. RF7756148 – Ochre-grey ceiling rose assembly
- 03. F7755048 – Tatou F-S2 ochre-grey assembly diffuser
- 04. RF05382 – Kit of n. 5 OR rings
- 05. RF7755100 – Kit with screws for F-S2 opal reflector assembly
- 06. RF04487 – Porcelain E27 lamp holder
- 07. RF7755200 – Opal reflector assembly
- 08. RF21517 – Opal internal S2 diffuser

TATOU S2 F7766048

EN

RF7756148

OCHRE-GREY CEILING ROSE ASSEMBLY



WARNING! When installing and whenever acting on the appliance, ensure that the power supply has been switched off.
For the installation of the spare-part, it is necessary to consult a qualified electrician.

©2021 Flos - All rights reserved - www.flos.com
Flos reserves the right to introduce any changes to its own models, without prior notice.

TATOU S2 F7766048

EN

RF7756148

OCHRE-GREY CEILING ROSE ASSEMBLY

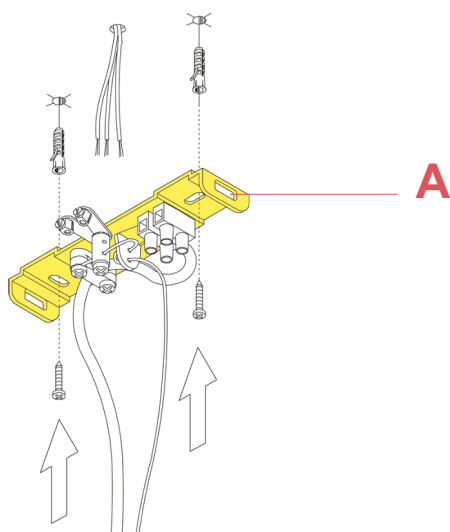


Fig.1

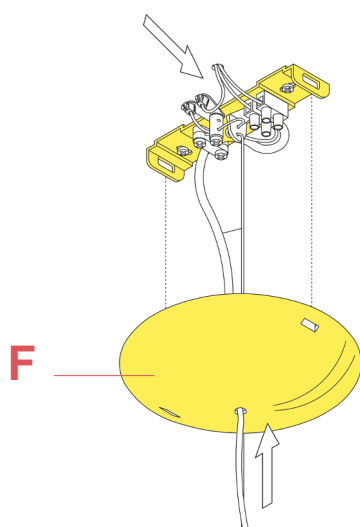


Fig.2

Fix the wall fixture (A) with the appropriate expansion bolts.

NOTE: Selected and employ screw anchors which are suited to the surface where the appliance is to be installed.

Connect the power cable to the terminal box (not supplied with the spare-part). Mount the ceiling-rose (F).

WARNING! When installing and whenever acting on the appliance, ensure that the power supply has been switched off. For the installation of the spare-part, it is necessary to consult a qualified electrician.

TATOU S2 F7766048

EN

F7755048

F-S2 OCHRE-GREY ASSEMBLY DIFFUSER



Tatou F
p.03



Tatou S2
p.05

WARNING! When installing and whenever acting on the appliance, ensure that the power supply has been switched off. For the installation of the spare-part, it is necessary to consult a qualified electrician.

TATOU S2 F7766048

EN

F7755048

F-S2 OCHRE-GREY ASSEMBLY DIFFUSER

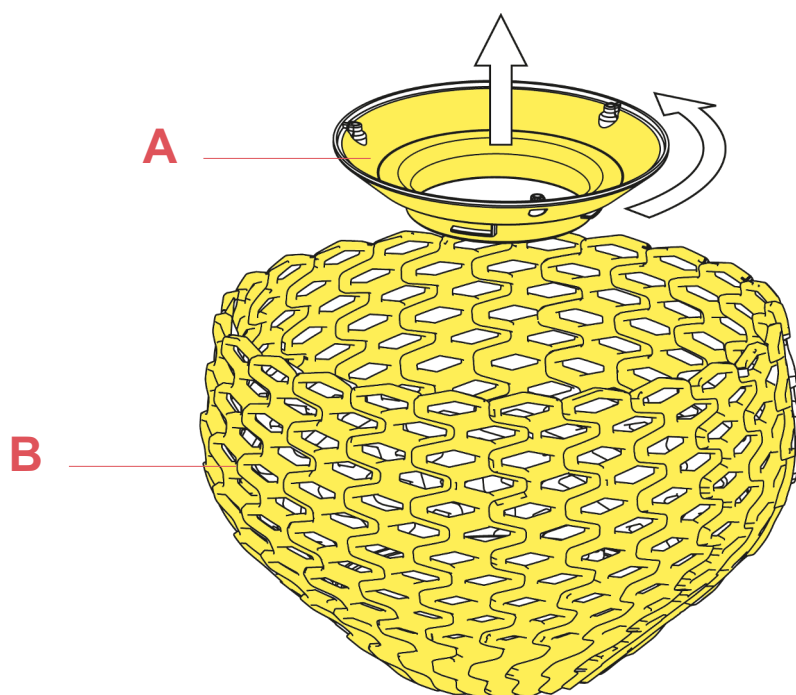


Fig.1

Disassemble the reflector ring (A) from the external diffuser (B) by rotating it slightly anticlockwise.

WARNING! When installing and whenever acting on the appliance, ensure that the power supply has been switched off.
For the installation of the spare-part, it is necessary to consult a qualified electrician.

TATOU S2 F7766048

EN

F7755048

F-S2 OCHRE-GREY ASSEMBLY DIFFUSER

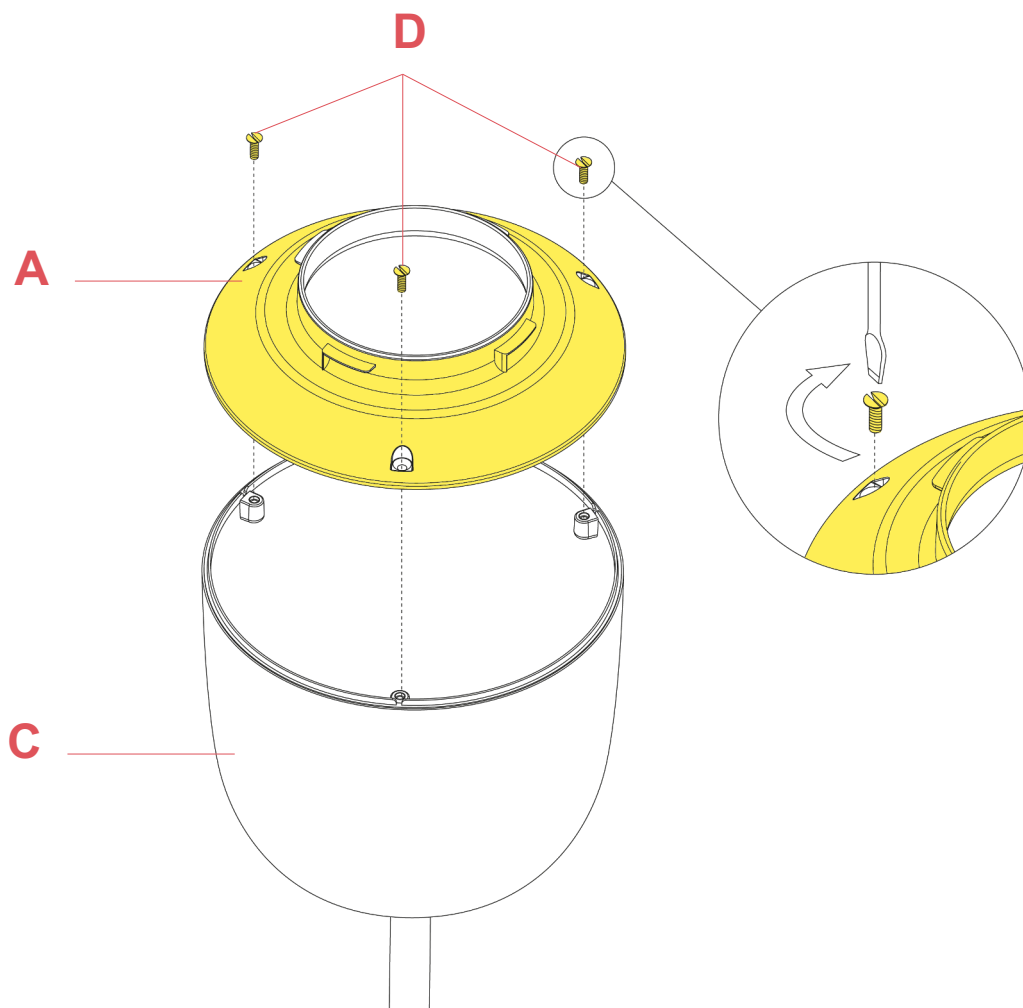


Fig.2

Assemble the reflector ring (A) on the internal diffuser (C) by fastening the three screws (D). Please utilize flat blade screwdriver.

WARNING! When installing and whenever acting on the appliance, ensure that the power supply has been switched off. For the installation of the spare-part, it is necessary to consult a qualified electrician.

TATOU S2 F7766048

EN

F7755048

F-S2 OCHRE-GREY ASSEMBLY DIFFUSER

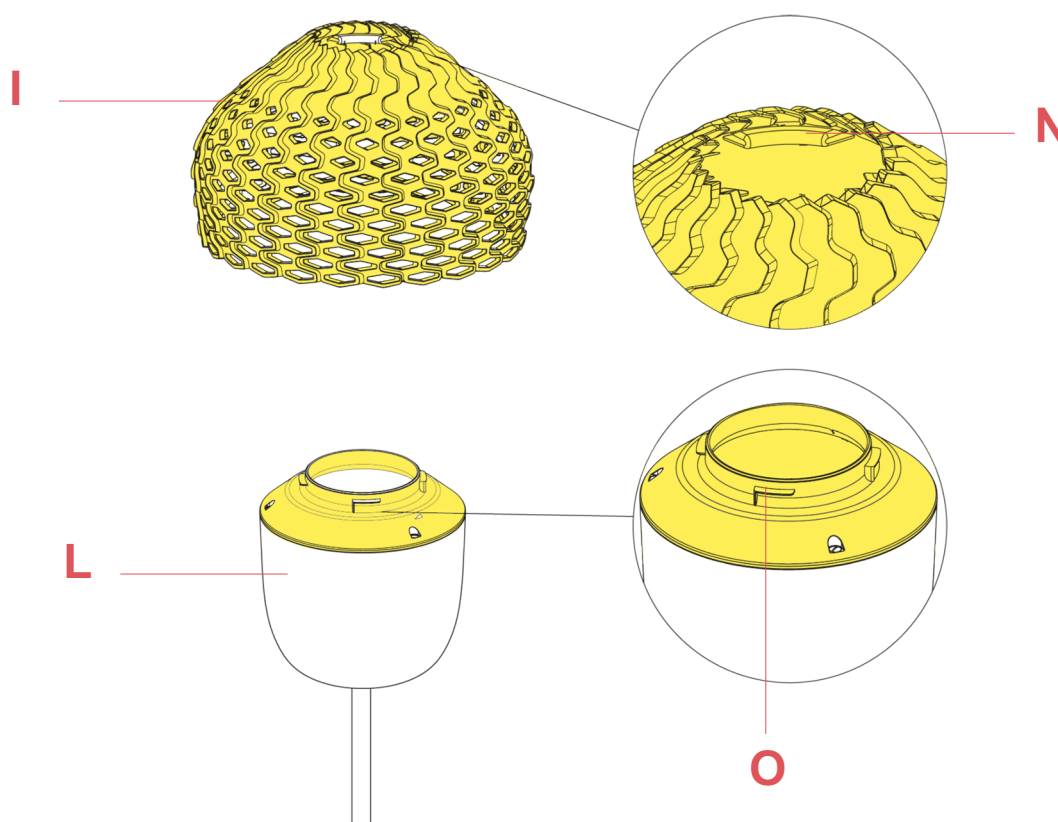


Fig.3

Assemble the external diffuser (I) onto the reflector ring (L) being careful to make the three hooks (O) present on the reflector ring (O) correspond with the relative housings (L) present on the external diffuser (I).
At this point, lock the external diffuser by rotating it slightly clockwise.

WARNING! When installing and whenever acting on the appliance, ensure that the power supply has been switched off.
For the installation of the spare-part, it is necessary to consult a qualified electrician.

©2021 Flos - All rights reserved - www.flos.com
Flos reserves the right to introduce any changes to its own models, without prior notice.

TATOU S2 F7766048

EN

F7755048

F-S2 OCHRE-GREY ASSEMBLY DIFFUSER

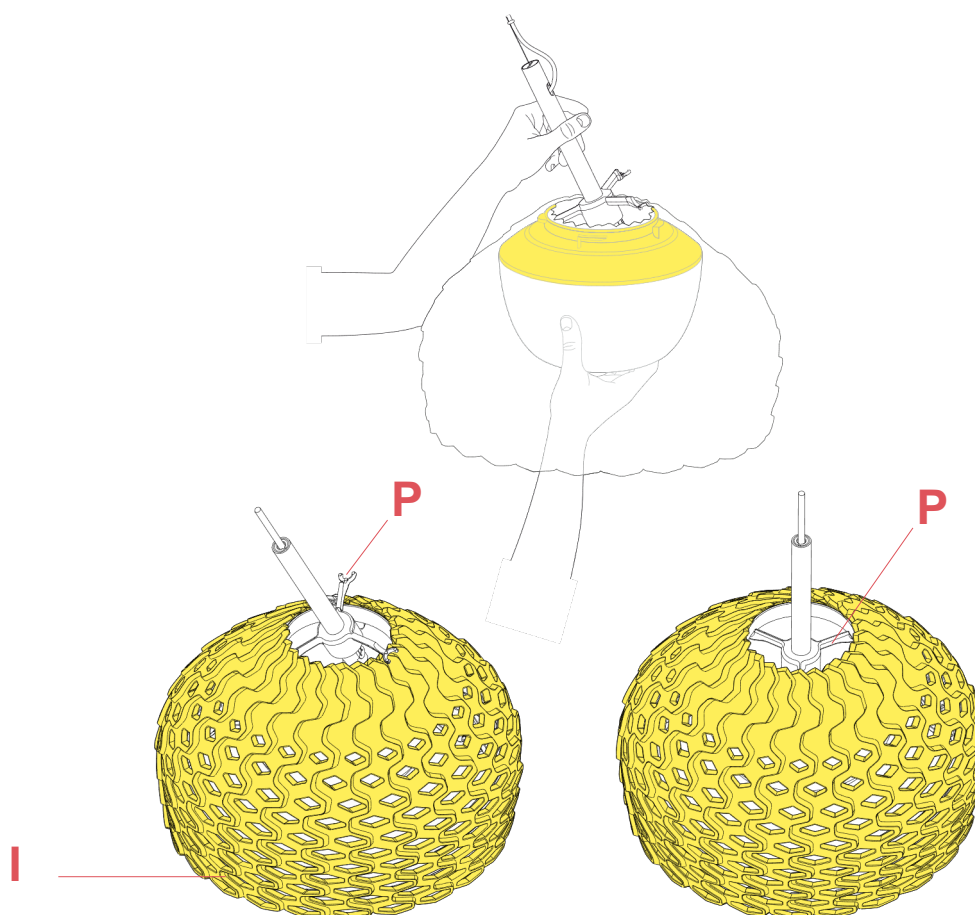


Fig.4

Fit the diffuser (I) onto the supports of the three arms (P), by tilting the supports as shown in the image, by inserting first the lamp-bulb and one arm through the lamp hole.

WARNING! When installing and whenever acting on the appliance, ensure that the power supply has been switched off. For the installation of the spare-part, it is necessary to consult a qualified electrician.

TATOU S2 F7766048

EN

RF05382

KIT OF N. 5 OR RINGS



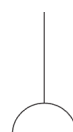
Glo-ball
S1
p.18



Glo-ball
S2
p.17



Skygarden
1
p.08



Skygarden
2
p.08



Skygarden
Small
p.08



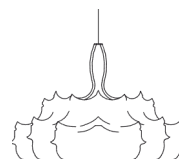
Smithfield
S
p.05



Smithfield
Pro S
p.05



Tatou
S2
p.10



Zeppelin 1
p.05

WARNING! When installing and whenever acting on the appliance, ensure that the power supply has been switched off. For the installation of the spare-part, it is necessary to consult a qualified electrician.

TATOU S2 F7766048

EN

RF7755100

KIT WITH SCREWS FOR F-S2 OPAL REFLECTOR ASSEMBLY



Tatou F
p.07



Tatou S2
p.11

WARNING! When installing and whenever acting on the appliance, ensure that the power supply has been switched off. For the installation of the spare-part, it is necessary to consult a qualified electrician.

TATOU S2 F7766048

EN

RF7755100

KIT WITH SCREWS FOR F-S2 OPAL REFLECTOR ASSEMBLY

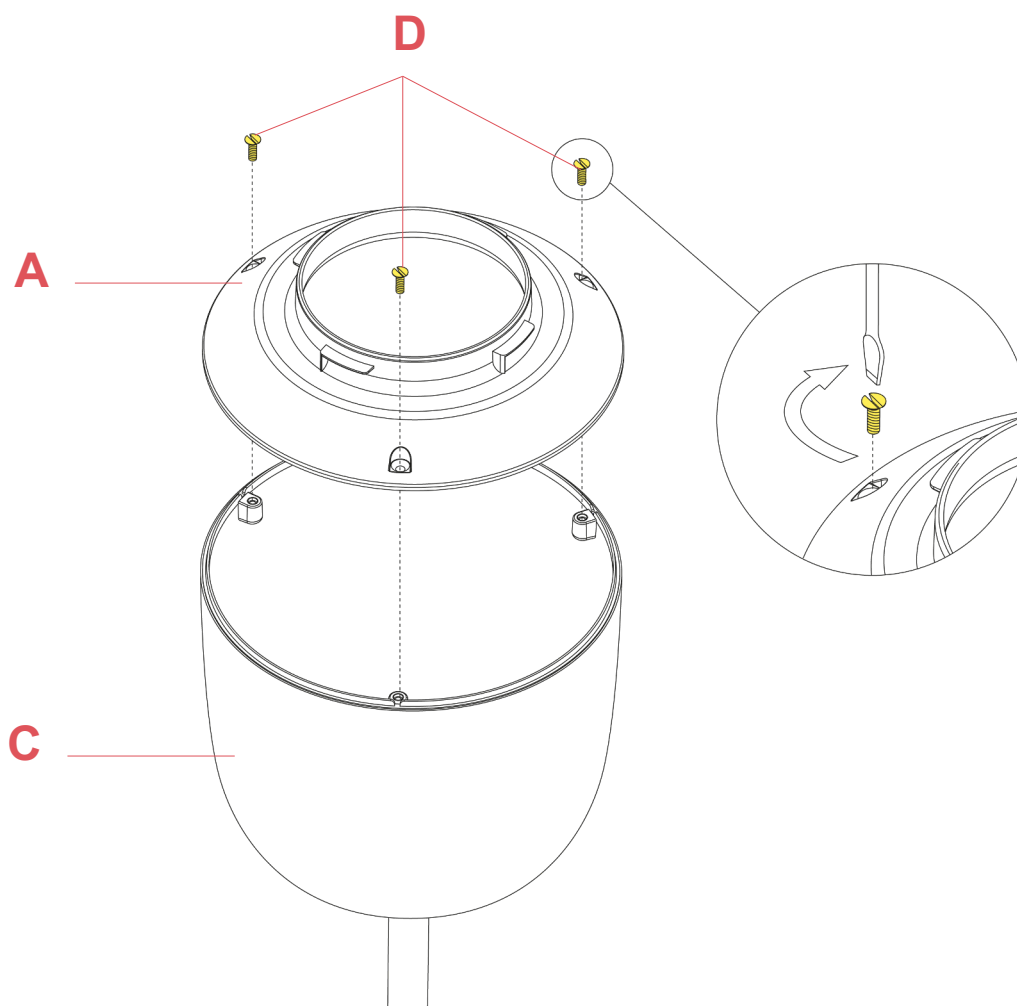


Fig.1

Assemble the reflector ring (A) on the internal diffuser (C) by fastening the three screws (D). Please utilize flat blade screwdriver.

WARNING! When installing and whenever acting on the appliance, ensure that the power supply has been switched off. For the installation of the spare-part, it is necessary to consult a qualified electrician.

TATOU S2 F7766048

EN

RF7755100

KIT WITH SCREWS FOR F-S2 OPAL REFLECTOR ASSEMBLY

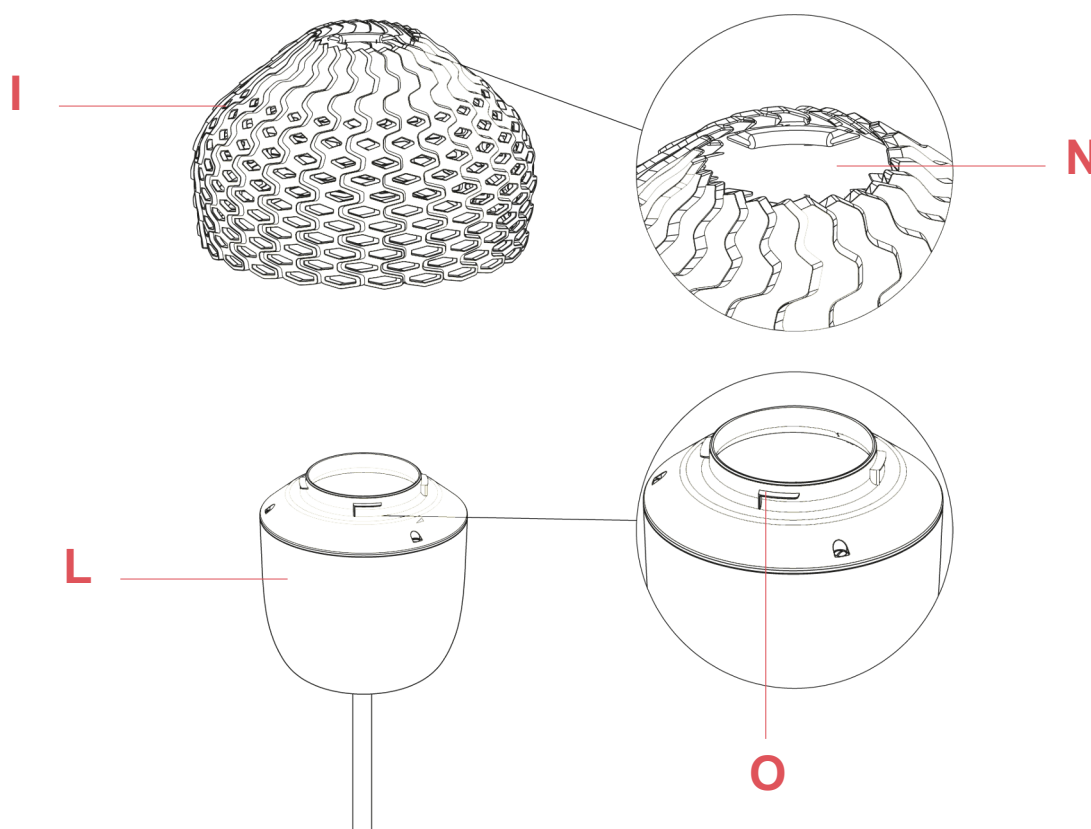


Fig.2

Assemble the external diffuser (I) onto the reflector ring (L) being careful to make the three hooks (O) present on the reflector ring (O) correspond with the relative housings (L) present on the external diffuser (I).
At this point, lock the external diffuser by rotating it slightly clockwise.

WARNING! When installing and whenever acting on the appliance, ensure that the power supply has been switched off.
For the installation of the spare-part, it is necessary to consult a qualified electrician.

©2021 Flos - All rights reserved - www.flos.com
Flos reserves the right to introduce any changes to its own models, without prior notice.

TATOU S2 F7766048

EN

RF7755100

KIT WITH SCREWS FOR F-S2 OPAL REFLECTOR ASSEMBLY

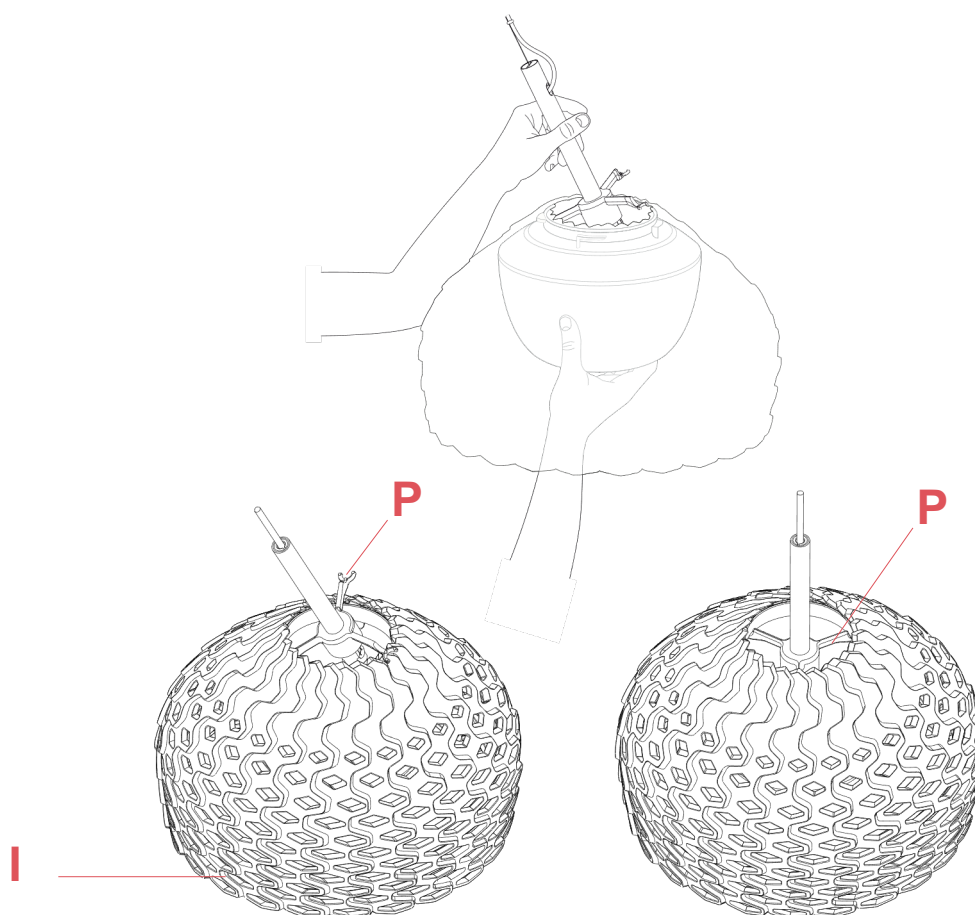


Fig.3

Fit the diffuser (I) onto the supports of the three arms (P), by tilting the supports as shown in the image, by inserting first the lamp-bulb and one arm through the lamp hole.

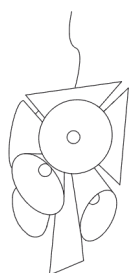
WARNING! When installing and whenever acting on the appliance, ensure that the power supply has been switched off. For the installation of the spare-part, it is necessary to consult a qualified electrician.

TATOU S2 F7766048

EN

RF04487

PORCELAIN E27 LAMP HOLDER



Nebula
p.03



Ray F1
p.09



Ray F2
p.09



Ray T
p.09



Tatou
S2
p.15

WARNING! When installing and whenever acting on the appliance, ensure that the power supply has been switched off.
For the installation of the spare-part, it is necessary to consult a qualified electrician.

TATOU S2 F7766048

EN

RF04487

PORCELAIN E27 LAM PHOLDER

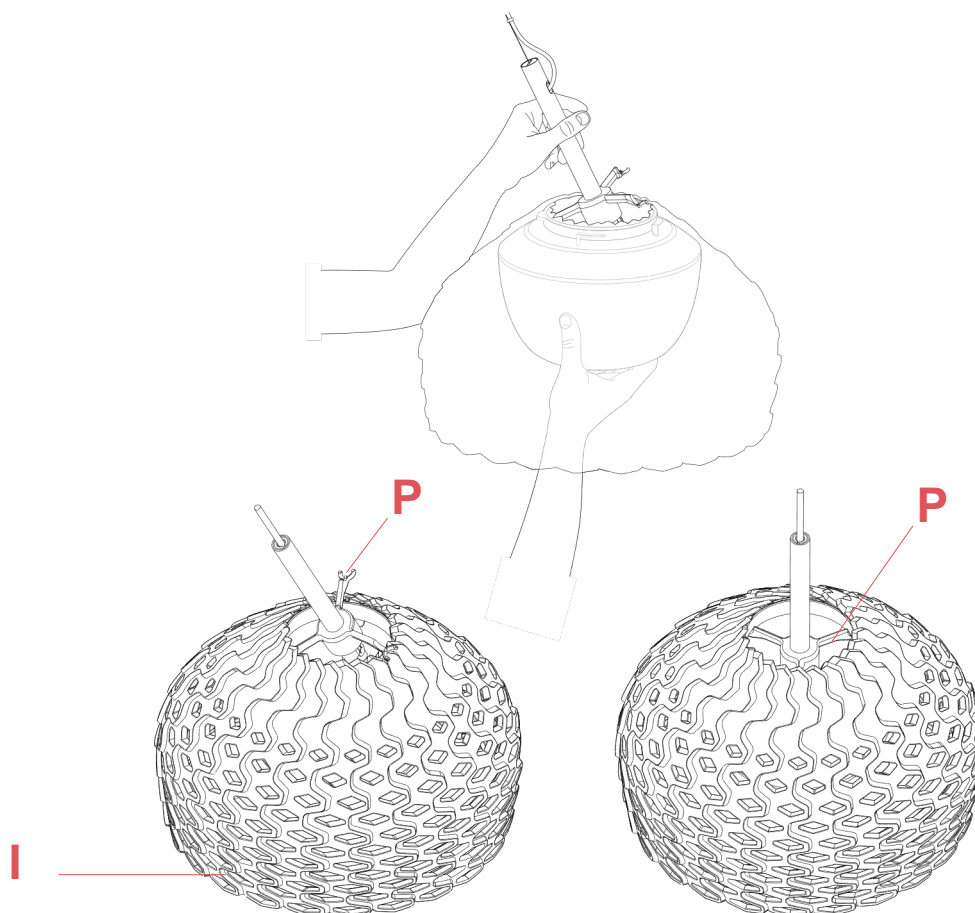


Fig.1

Remove the diffuser (I) by unhooking the three arms (P).

WARNING! When installing and whenever acting on the appliance, ensure that the power supply has been switched off. For the installation of the spare-part, it is necessary to consult a qualified electrician.

TATOU S2 F7766048

EN

RF04487

PORCELAIN E27 LAMP HOLDER



Fig.2

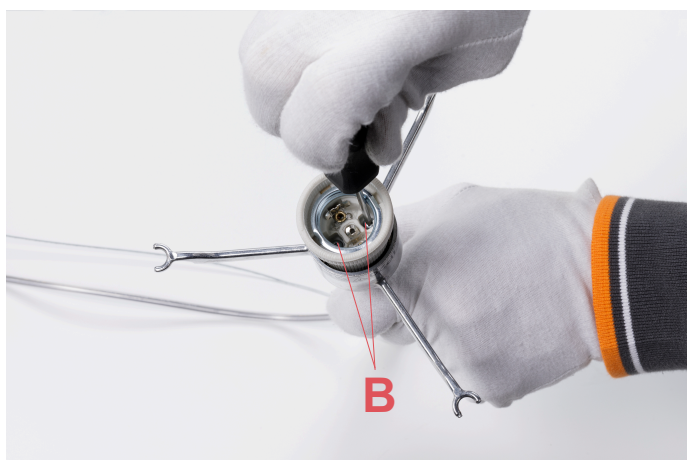


Fig.3

Unfasten the two screws (B) of the lamp holder (A).

WARNING! When installing and whenever acting on the appliance, ensure that the power supply has been switched off. For the installation of the spare-part, it is necessary to consult a qualified electrician.

TATOU S2 F7766048

EN

RF04487

PORCELAIN E27 LAMP HOLDER

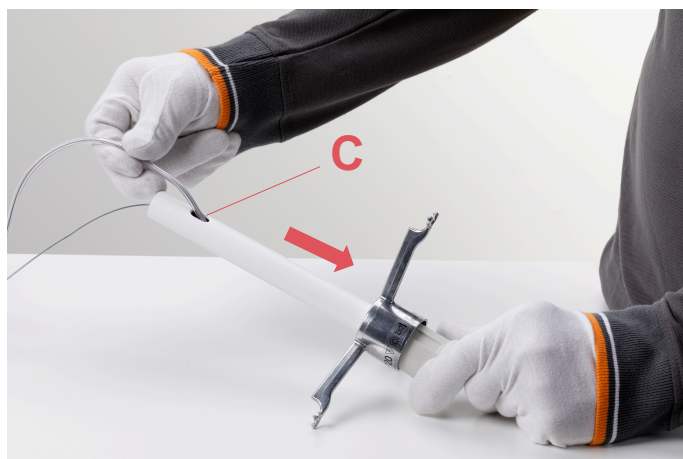


Fig.4



Fig.5

Push the electrical cable (C) downwards, in away to have access to the lamp holder terminals (D).

WARNING! When installing and whenever acting on the appliance, ensure that the power supply has been switched off. For the installation of the spare-part, it is necessary to consult a qualified electrician.

TATOU S2 F7766048

EN

RF04487

PORCELAIN E27 LAMP HOLDER



Fig.6

Loosen the locking screw of the cable clamp (E) and push it backwards, in away to have access to the electrical connections. Disconnect the electrical wires (F) by unfastening the terminal (D) screws and remove the damaged lamp holder (A).

Assemble now the new spare-part:

Install the new lamp holder (A) by connecting the electrical wires (F) to the terminals (D). **REMARKS!** Please respect the polarities of the electrical conductors.

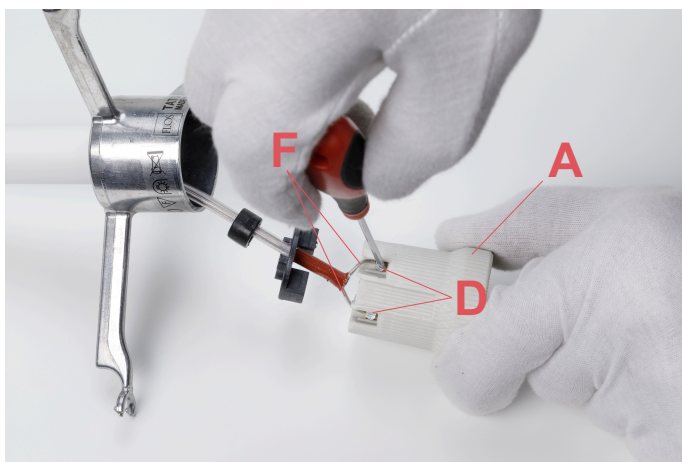


Fig.7

Position back the cable clamp (E) and proceed by tightening back the locking screw. (do not force to hard).

Pull up the electrical cable (C).(Fig.4 page 19)
Assemble the lamp holder (D) back to the lamp body by fastening the two screws (B).(Fig.3 page 18)

Fit the diffuser (I) onto the supports of the three arms (P), by tilting the supports as shown in the image, by inserting first the lamp-bulb and one arm through the lamp hole.(Fig.1 page 17)

WARNING! When installing and whenever acting on the appliance, ensure that the power supply has been switched off. For the installation of the spare-part, it is necessary to consult a qualified electrician.

TATOU S2 F7766048

EN

RF7755200

F-S2 OPAL REFLECTOR ASSEMBLY



Tatou F
p.10



Tatou S2
p.20

WARNING! When installing and whenever acting on the appliance, ensure that the power supply has been switched off. For the installation of the spare-part, it is necessary to consult a qualified electrician.

TATOU S2 F7766048

EN

RF7755200

F-S2 OPAL REFLECTOR ASSEMBLY

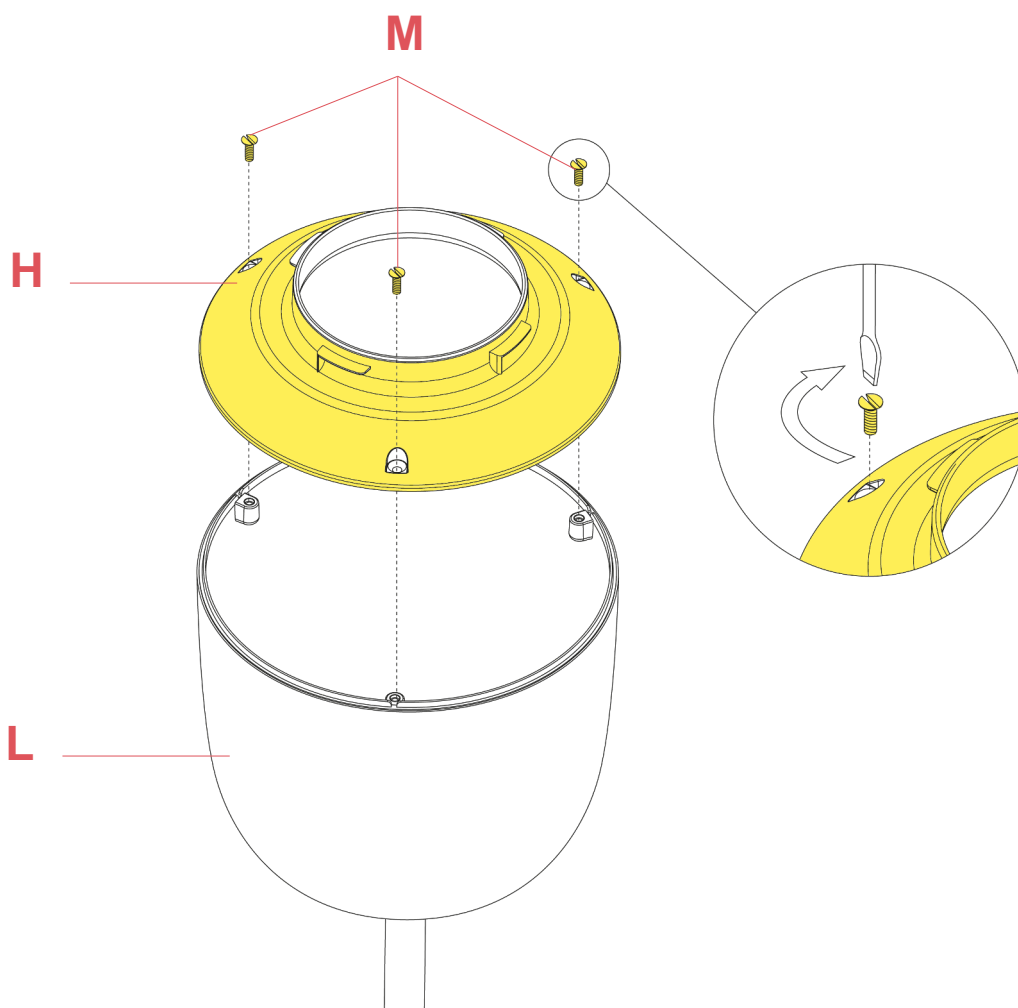


Fig.1

Assemble the reflector ring (H) onto the internal diffuser (L) by fastening the three screws (M). Please utilize flat blade screwdriver.

WARNING! When installing and whenever acting on the appliance, ensure that the power supply has been switched off. For the installation of the spare-part, it is necessary to consult a qualified electrician.

TATOU S2 F7766048

EN

RF7755200

F-S2 OPAL REFLECTOR ASSEMBLY

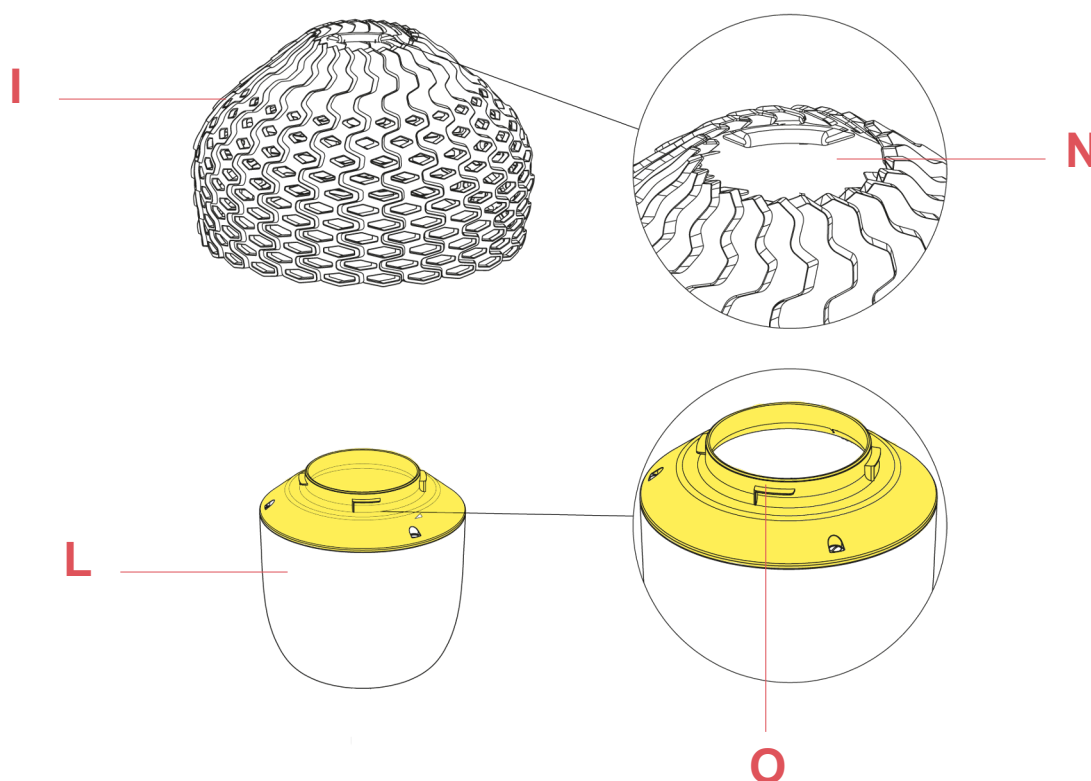


Fig.2

Assemble the external diffuser (I) onto the reflector ring (L) being careful to make the three hooks (O) present on the reflector ring (O) correspond with the relative housings (L) present on the external diffuser (I).
At this point, lock the external diffuser by rotating it slightly clockwise.

WARNING! When installing and whenever acting on the appliance, ensure that the power supply has been switched off.
For the installation of the spare-part, it is necessary to consult a qualified electrician.

TATOU S2 F7766048

EN

RF7755200

F-S2 OPAL REFLECTOR ASSEMBLY

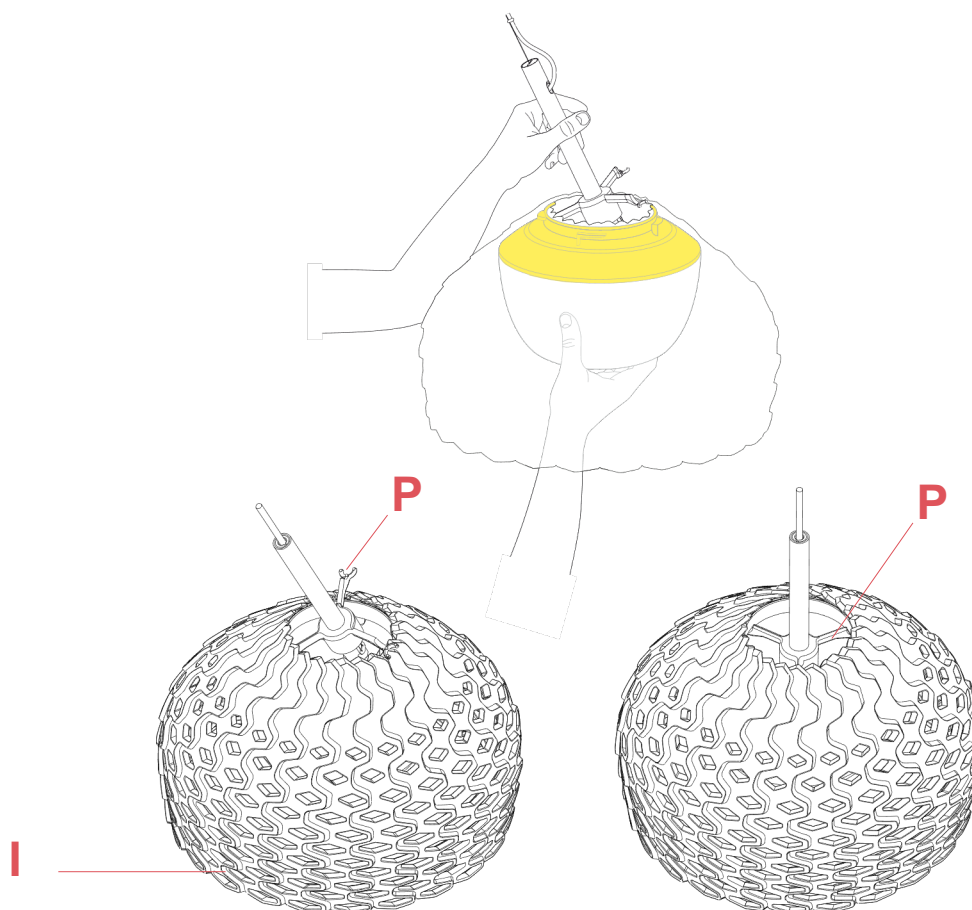


Fig.3

Fit the diffuser (I) onto the supports of the three arms (P), by tilting the supports as shown in the image, by inserting first the lamp-bulb and one arm through the lamp hole.

WARNING! When installing and whenever acting on the appliance, ensure that the power supply has been switched off. For the installation of the spare-part, it is necessary to consult a qualified electrician.

TATOU S2 F7766048

EN

RF21517

OPAL INTERNAL S2 DIFFUSER



WARNING! When installing and whenever acting on the appliance, ensure that the power supply has been switched off.
For the installation of the spare-part, it is necessary to consult a qualified electrician.

©2021 Flos - All rights reserved - www.flos.com
Flos reserves the right to introduce any changes to its own models, without prior notice.

TATOU S2 F7766048

EN

RF21517

OPAL INTERNAL S2 DIFFUSER

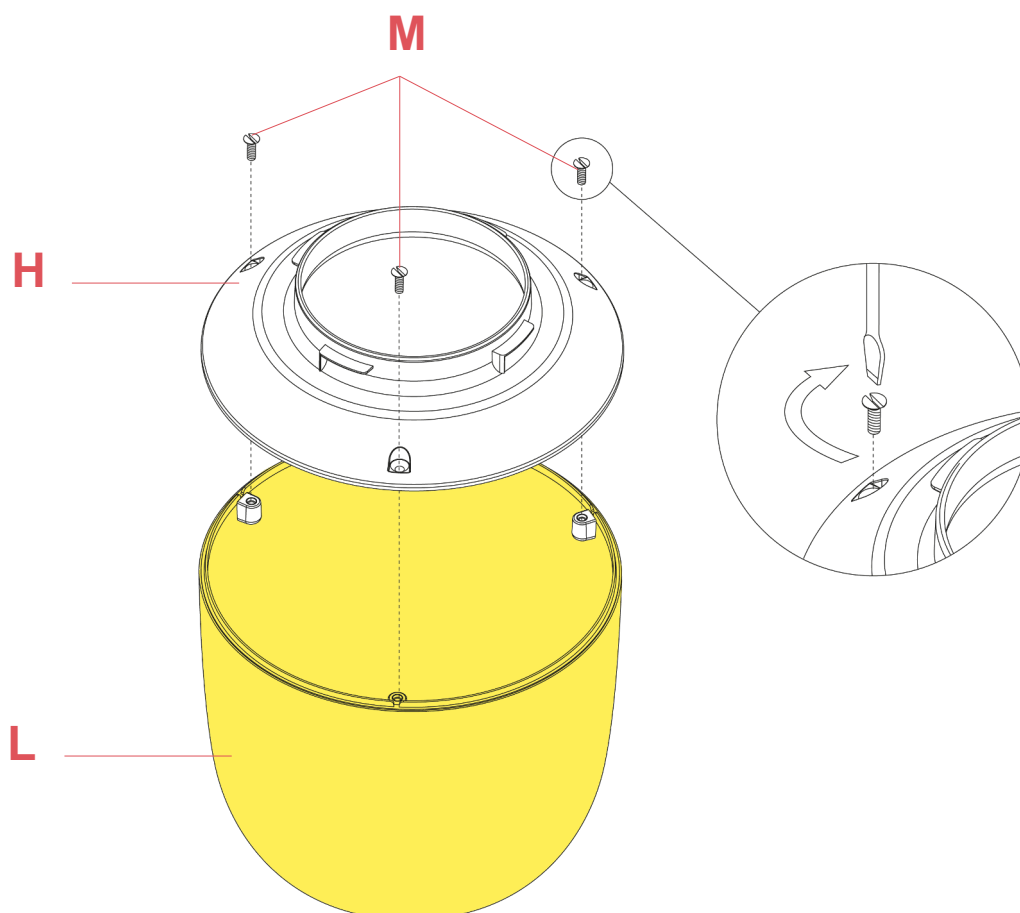


Fig.1

Assemble the reflector ring (H) onto the internal diffuser (L) by fastening the three screws (M). Please utilize flat blade screwdriver.

WARNING! When installing and whenever acting on the appliance, ensure that the power supply has been switched off. For the installation of the spare-part, it is necessary to consult a qualified electrician.

TATOU S2 F7766048

EN

RF21517

OPAL INTERNAL S2 DIFFUSER

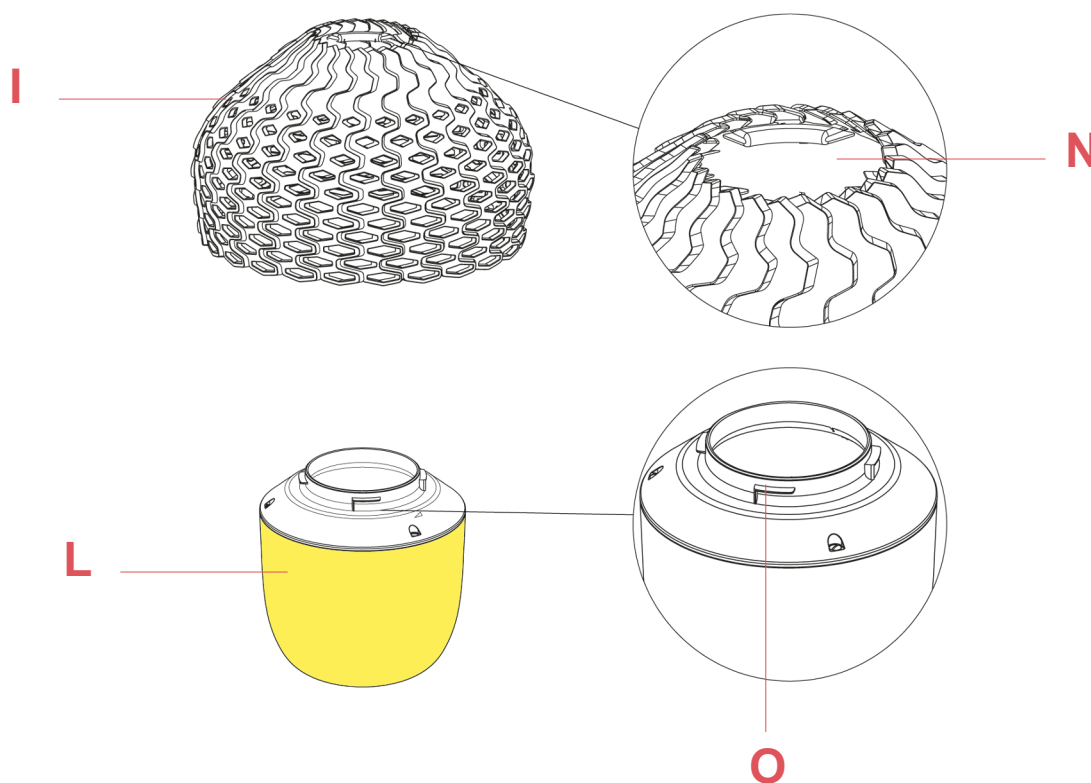


Fig.2

Assemble the external diffuser (I) into the reflector ring (L) being careful to make the three hooks (O) present on the reflector ring (O) correspond with the relative housings (L) present on the external diffuser (I).
At this point, lock the external diffuser by rotating it slightly clockwise.

WARNING! When installing and whenever acting on the appliance, ensure that the power supply has been switched off.
For the installation of the spare-part, it is necessary to consult a qualified electrician.

TATOU S2 F7766048

EN

RF21517

OPAL INTERNAL S2 DIFFUSER

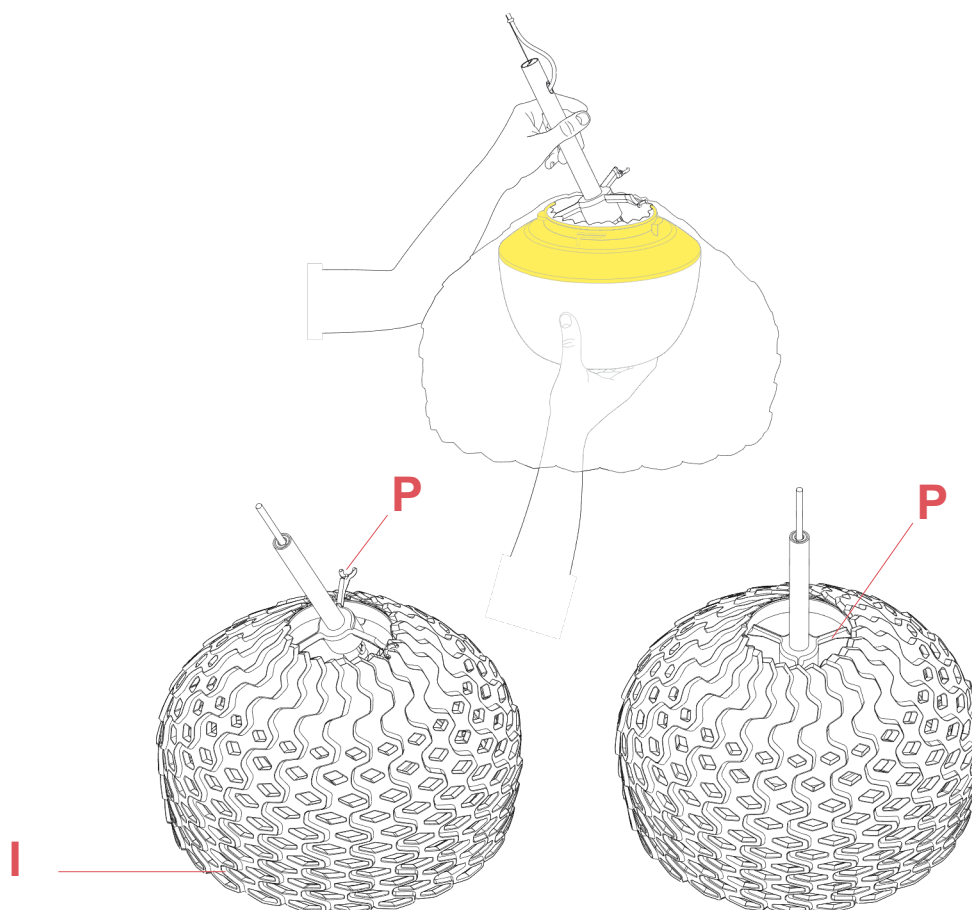


Fig.3

Fit the diffuser (I) onto the supports of the three arms (P), by tilting the supports as shown in the image, by inserting first the lamp-bulb and one arm through the lamp hole.

WARNING! When installing and whenever acting on the appliance, ensure that the power supply has been switched off. For the installation of the spare-part, it is necessary to consult a qualified electrician.