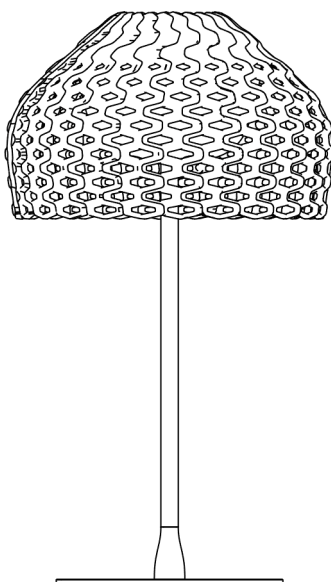


TATOU T1

Designed by Patricia Urquiola, 2012

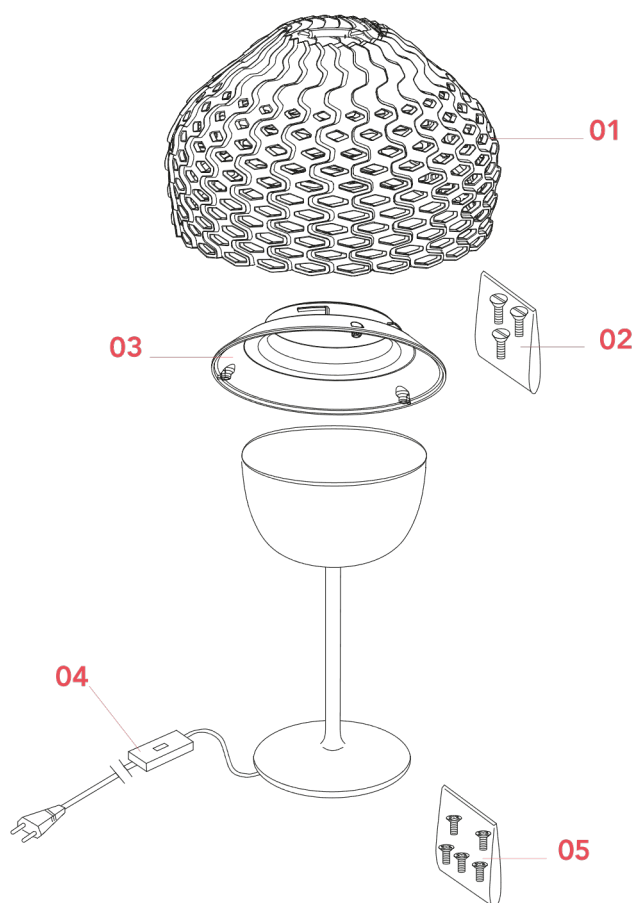
F7761009



TATOU T1

F7761009

EN



- 01. **F7751009** – Tatou T1-S1 white assembly
- 02. **RF7751100** – Kit with screws for F-S2 opal reflector assembly
- 03. **RF7751200** – F-S2 opal reflector assembly
- 04. **RF7750200** – Electrical cable with dimmer and E27 lamp holder
- 05. **RF6138100** – Kit of transparent pads for lamp base

TATOU T1 F7761009

EN

F7751009

TATOU T1-S1 WHITE ASSEMBLY DIFFUSER



Tatou S1
p.05



Tatou T1
p.03

WARNING! When installing and whenever acting on the appliance, ensure that the power supply has been switched off.
For the installation of the spare-part, it is necessary to consult a qualified electrician.

TATOU T1 F7761009

EN

F7751009

TATOU T1-S1 WHITE ASSEMBLY DIFFUSER

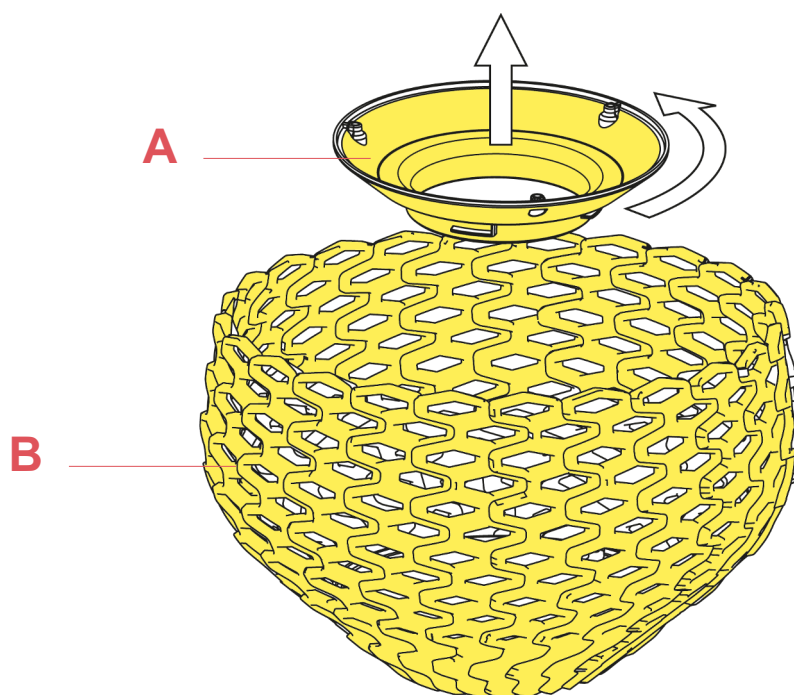


Fig.1

Disassemble the reflector ring (A) from the external diffuser (B) by rotating it slightly anticlockwise.

WARNING! When installing and whenever acting on the appliance, ensure that the power supply has been switched off.
For the installation of the spare-part, it is necessary to consult a qualified electrician.

TATOU T1 F7761009

EN

F7751009

TATOU T1-S1 WHITE ASSEMBLY DIFFUSER

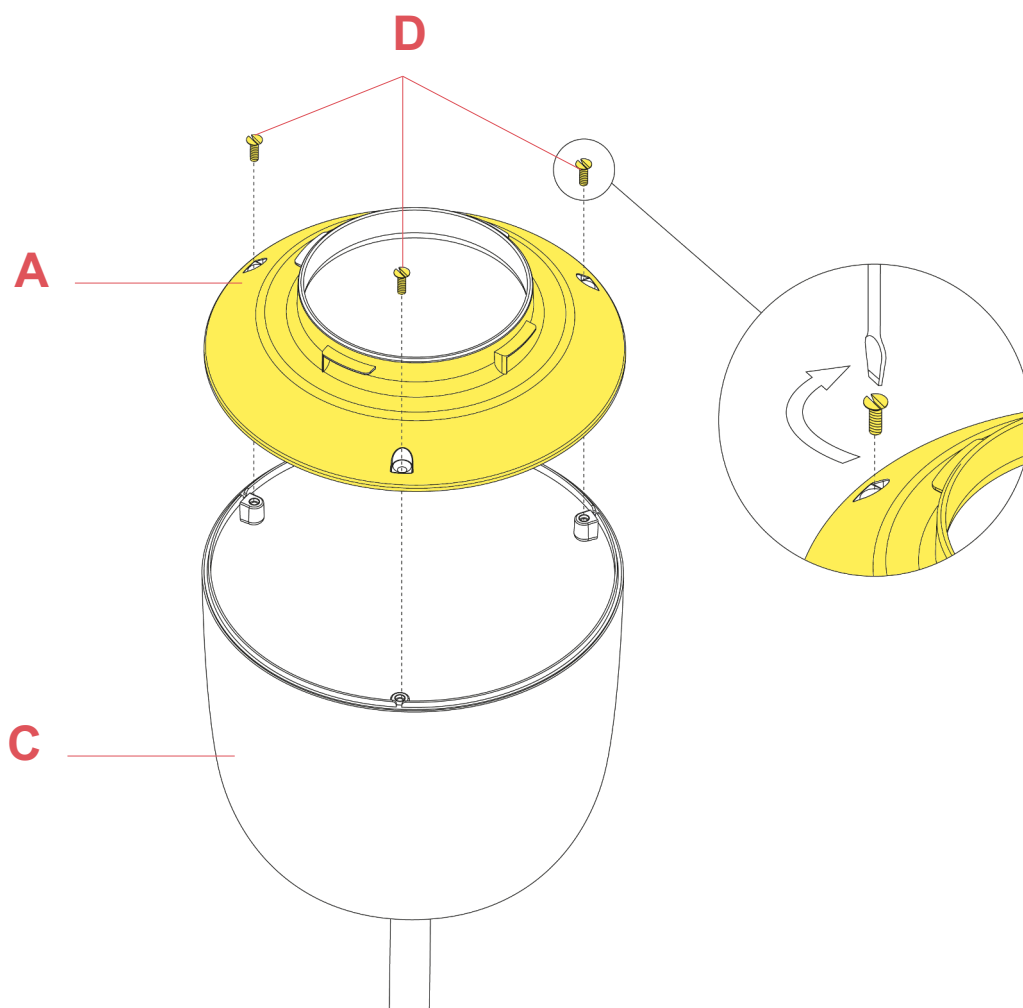


Fig.2

Assemble the reflector ring (A) onto the internal diffuser (C) with the three screws (D) provided (utilize a flat screwdriver).

WARNING! When installing and whenever acting on the appliance, ensure that the power supply has been switched off. For the installation of the spare-part, it is necessary to consult a qualified electrician.

TATOU T1 F7761009

EN

F7751009

TATOU T1-S1 WHITE ASSEMBLY DIFFUSER

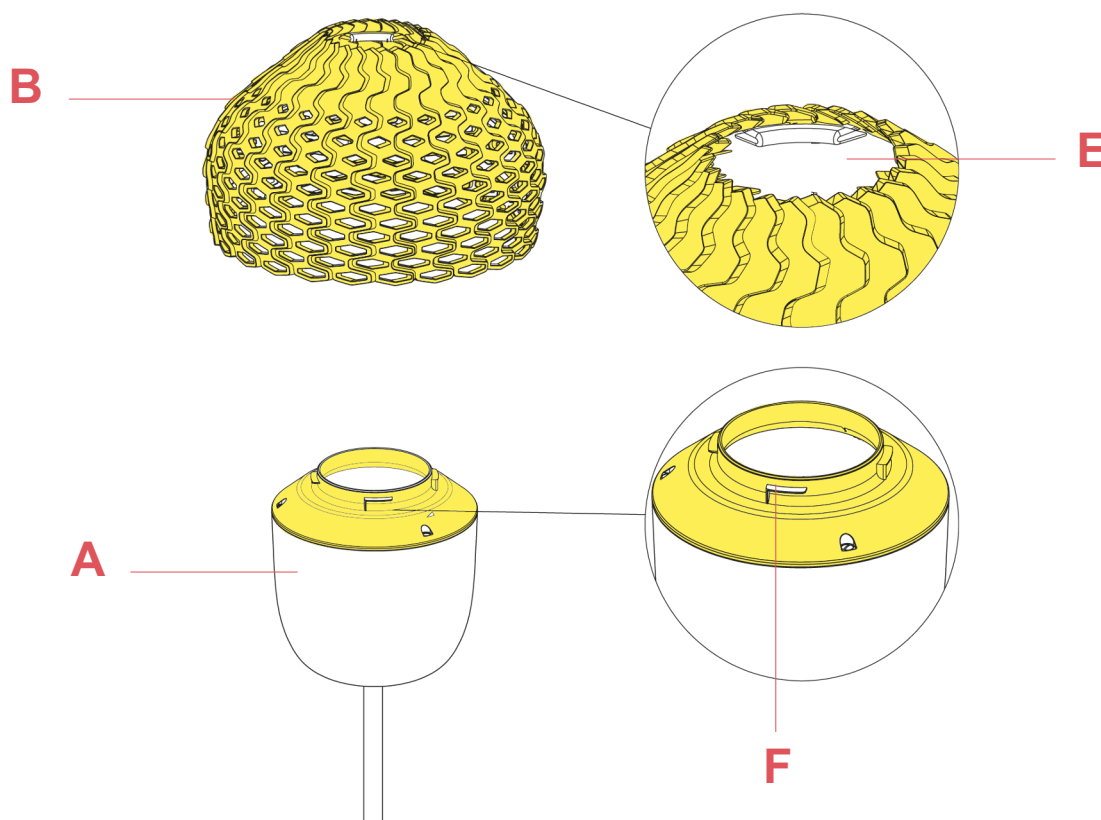


Fig.3

Insert the lamp bulb.

Assemble the external diffuser (B) onto the reflector ring (A) being careful to make the three hooks (F) present on the reflector ring (A) correspond with the relative housings (E) present on the external diffuser (B).

At this point, lock the external diffuser by rotating it slightly clockwise.

WARNING! When installing and whenever acting on the appliance, ensure that the power supply has been switched off. For the installation of the spare-part, it is necessary to consult a qualified electrician.

TATOU T1 F7761009

EN

RF7751100

KIT WITH SCREWS FOR T1-S1 OPAL REFLECTOR ASSEMBLY



Tatou S1
p.14



Tatou T1
p.07

WARNING! When installing and whenever acting on the appliance, ensure that the power supply has been switched off.
For the installation of the spare-part, it is necessary to consult a qualified electrician.

TATOU T1 F7761009

EN

RF7751100

KIT WITH SCREWS FOR T1-S1 OPAL REFLECTOR ASSEMBLY

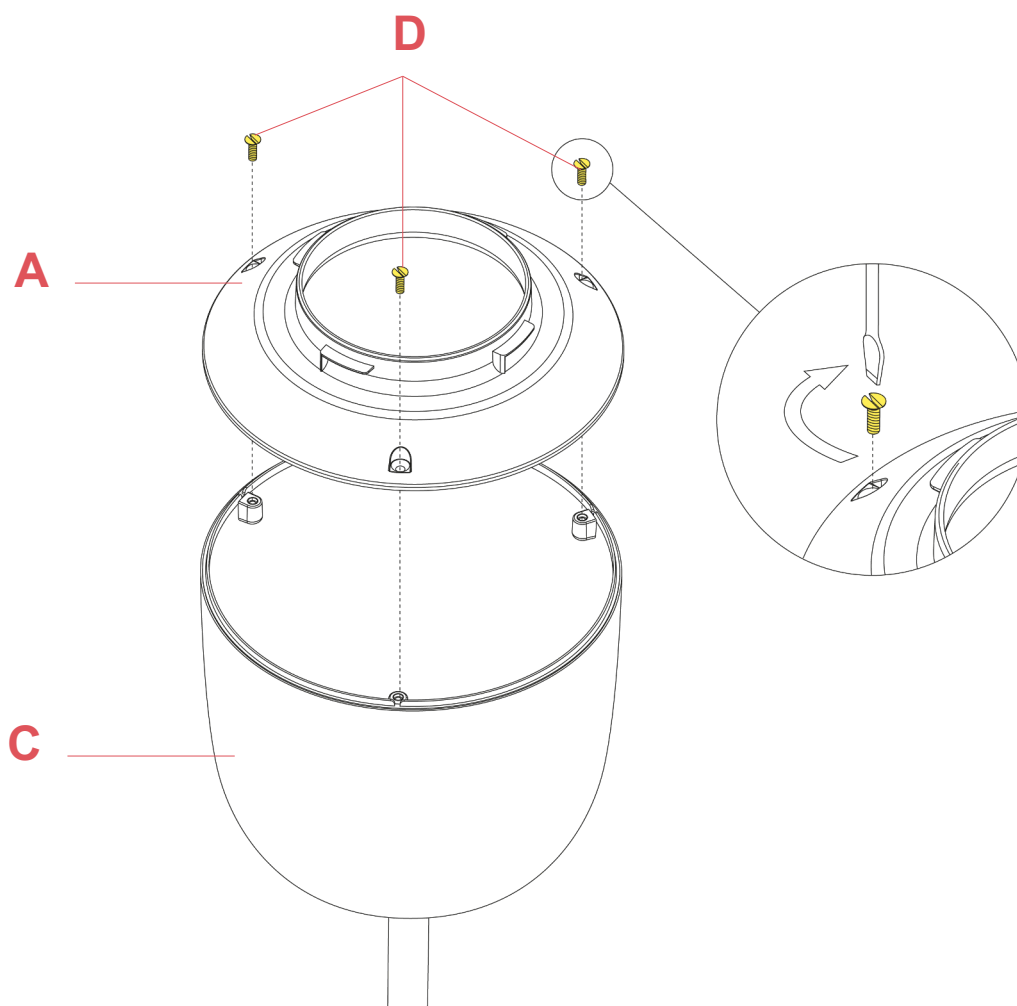


Fig.1

Verify that the lamp-bulb has been removed from the device.

WARNING! When installing and whenever acting on the appliance, ensure that the power supply has been switched off. For the installation of the spare-part, it is necessary to consult a qualified electrician.

TATOU T1 F7761009

EN

RF7751100

KIT WITH SCREWS FOR T1-S1 OPAL REFLECTOR ASSEMBLY

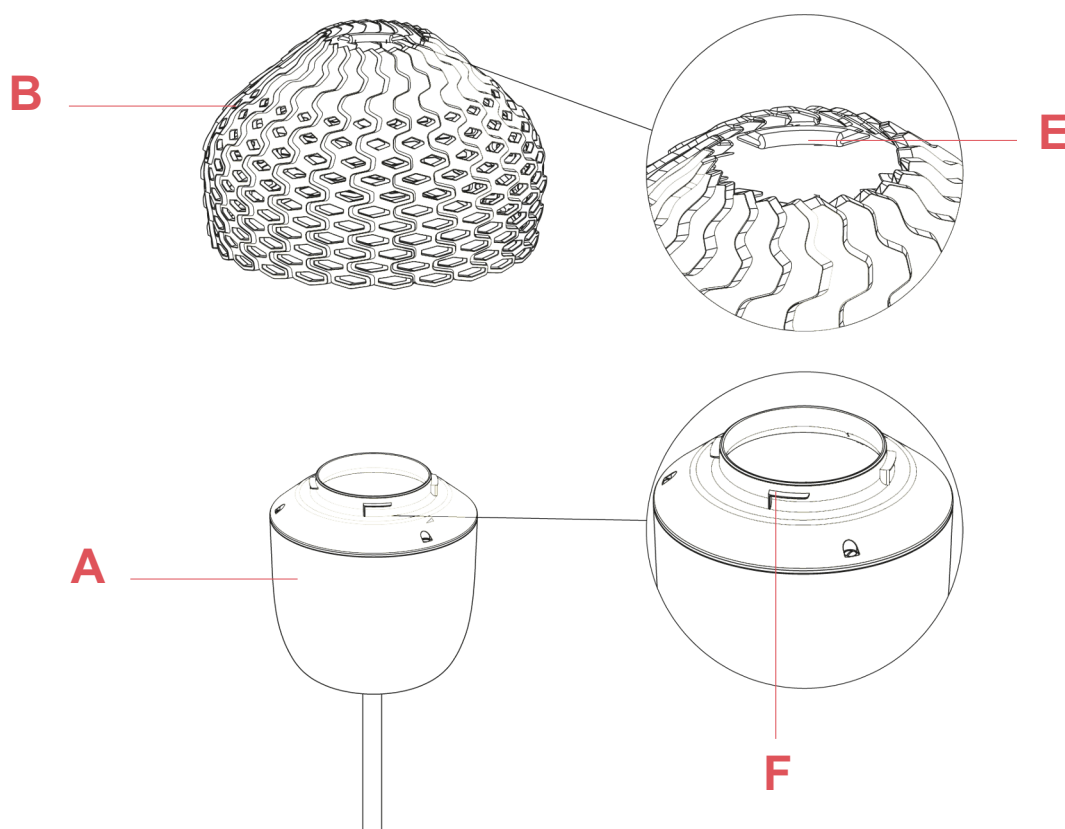


Fig.2

Insert the lamp bulb.

Assemble the external diffuser (B) onto the reflector ring (A) being careful to make the three hooks (F) present on the reflector ring (A) correspond with the relative housings (E) present on the external diffuser (B).

At this point, lock the external diffuser by rotating it slightly clockwise.

WARNING! When installing and whenever acting on the appliance, ensure that the power supply has been switched off. For the installation of the spare-part, it is necessary to consult a qualified electrician.

TATOU T1 F7761009

EN

RF7751200

T1-S1 OPAL REFLECTOR ASSEMBLY



Tatou S1
p.18



Tatou T1
p.10

WARNING! When installing and whenever acting on the appliance, ensure that the power supply has been switched off.
For the installation of the spare-part, it is necessary to consult a qualified electrician.

TATOU T1 F7761009

EN

RF7751200

T1-S1 OPAL REFLECTOR ASSEMBLY

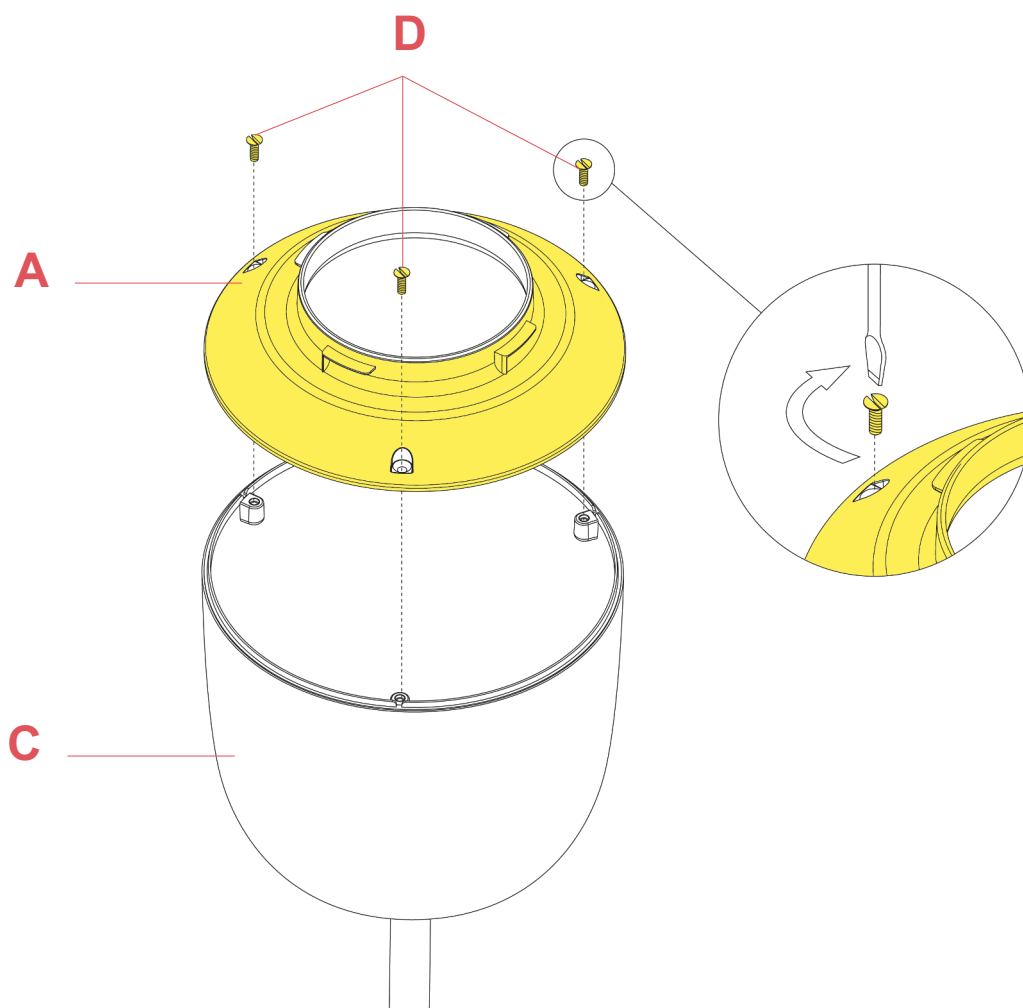


Fig.1

Assemble the reflector ring (A) onto the internal diffuser (C) with the three screws (D) provided (utilize a flat screwdriver).

WARNING! When installing and whenever acting on the appliance, ensure that the power supply has been switched off. For the installation of the spare-part, it is necessary to consult a qualified electrician.

TATOU T1 F7761009

EN

RF7751200

T1-S1 OPAL REFLECTOR ASSEMBLY

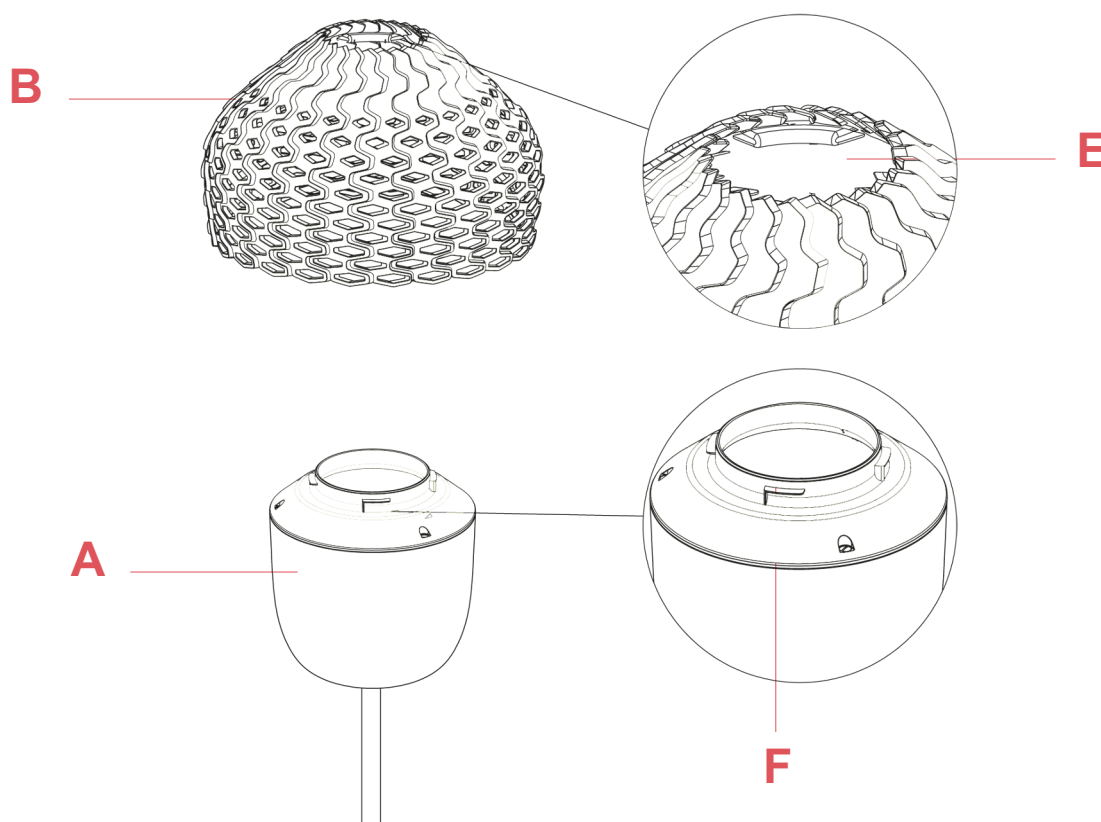


Fig.2

Insert the lamp bulb.

Assemble the external diffuser (B) onto the reflector ring (A) being careful to make the three hooks (F) present on the reflector ring (A) correspond with the relative housings (E) present on the external diffuser (B).

At this point, lock the external diffuser by rotating it slightly clockwise.

WARNING! When installing and whenever acting on the appliance, ensure that the power supply has been switched off.
For the installation of the spare-part, it is necessary to consult a qualified electrician.

TATOU T1 F7761009

EN

RF7750200

ELECTRICAL CABLE ASSEMBLY WITH E27 LAMP HOLDER



WARNING! When installing and whenever acting on the appliance, ensure that the power supply has been switched off.
For the installation of the spare-part, it is necessary to consult a qualified electrician.

©2021 Flos - All rights reserved - www.flos.com
Flos reserves the right to introduce any changes to its own models, without prior notice.

TATOU T1 F7761009

EN

RF7750200

ELECTRICAL CABLE ASSEMBLY WITH E27 LAMP HOLDER

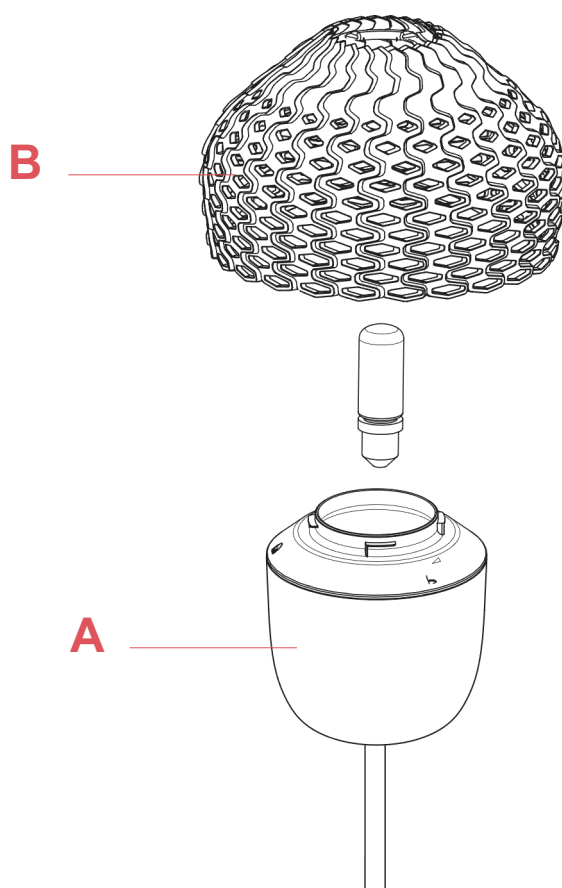


Fig.1

Unlock the external diffuser (B) from the internal diffuser (A) by rotating it counterclockwise.
Remove the lamp-bulb.

WARNING! When installing and whenever acting on the appliance, ensure that the power supply has been switched off.
For the installation of the spare-part, it is necessary to consult a qualified electrician.

TATOU T1 F7761009

EN

RF7750200

ELECTRICAL CABLE ASSEMBLY WITH E27 LAMP HOLDER

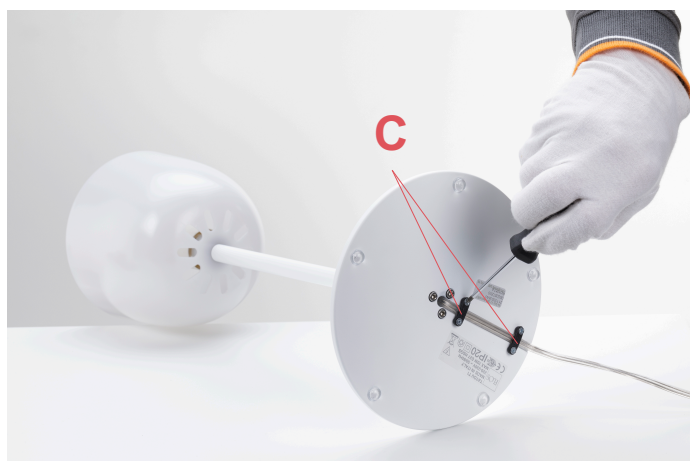


Fig.2

Lay the lamp body down on a clean towel. Remove the cable clamps (C) by unfastening there apposite screws.

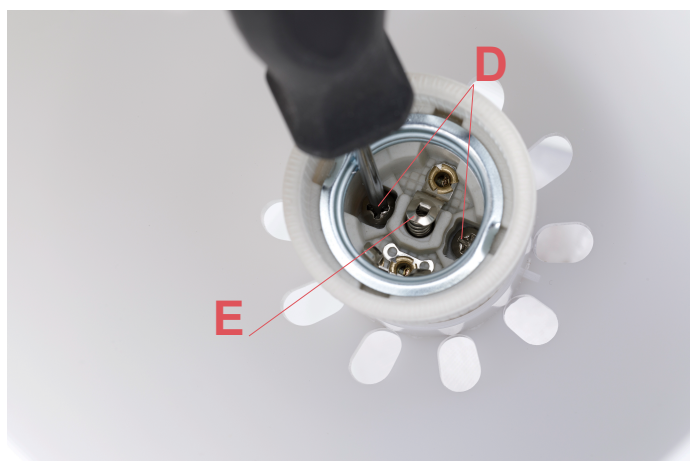


Fig.3

Unfasten the two screws (D) present inside the E27 lamp holder (E). Lift up the lamp holder (E) and then cut the electrical wires that are connected.

WARNING! When installing and whenever acting on the appliance, ensure that the power supply has been switched off. For the installation of the spare-part, it is necessary to consult a qualified electrician.

TATOU T1 F7761009

EN

RF7750200

ELECTRICAL CABLE ASSEMBLY WITH E27 LAMP HOLDER



Fig.4

Slide out the electrical cable (G) from the lamp body (K).

Assemble now the new spare-part:

Insert the new electrical cable (G) through lamp body (K).(Fig.4 page 16)

Connect the wires to the E27 lamp holder (E) respecting the polarities and assemble it by fastening back the screws (D).(Fig.3 page 15)

Position the electrical cable between the threaded holes and fix the cable clamps (C) by fastening the screws.(Fig.2 page 15)

WARNING! When installing and whenever acting on the appliance, ensure that the power supply has been switched off. For the installation of the spare-part, it is necessary to consult a qualified electrician.

TATOU T1 F7761009

EN

RF7750200

ELECTRICAL CABLE ASSEMBLY WITH E27 LAMP HOLDER

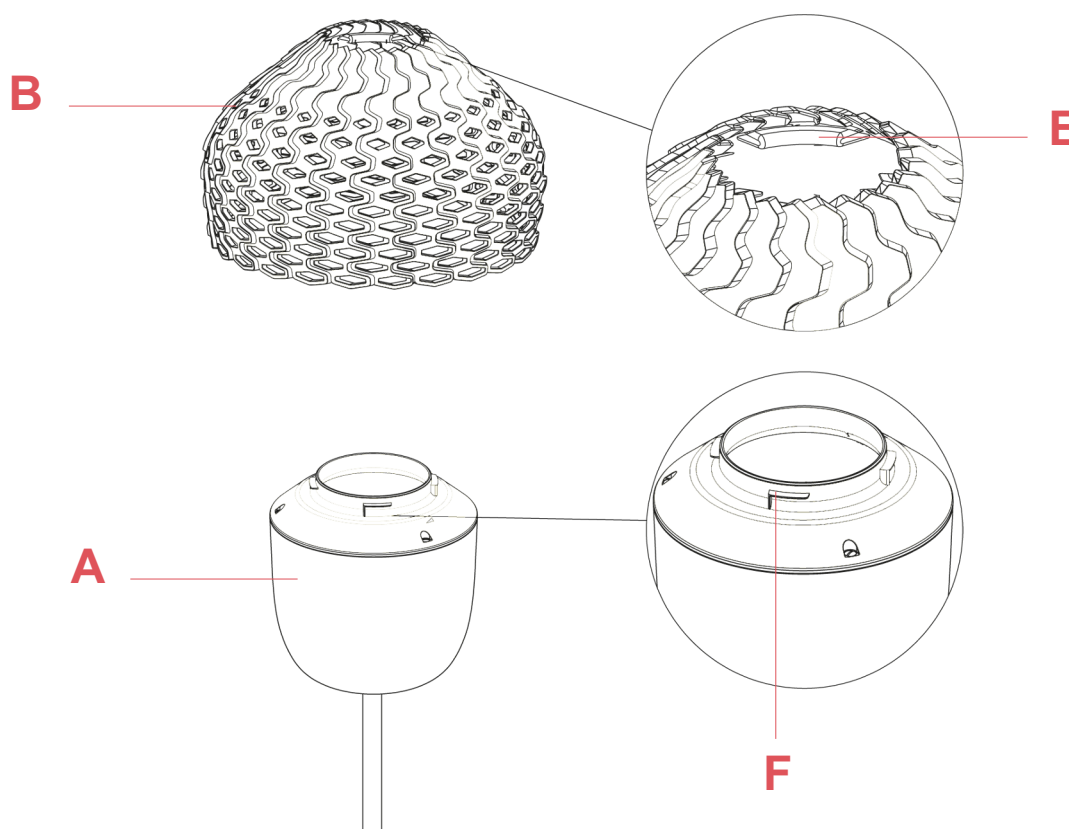


Fig.5

Insert the lamp bulb.

Assemble the external diffuser (B) onto the reflector ring (A) being careful to make the three hooks (F) present on the reflector ring (A) correspond with the relative housings (E) present on the external diffuser (B).

At this point, lock the external diffuser by rotating it slightly clockwise.

WARNING! When installing and whenever acting on the appliance, ensure that the power supply has been switched off. For the installation of the spare-part, it is necessary to consult a qualified electrician.

TATOU T1 F7761009

EN

RF6138100

KIT OF TRANSPARENT PADS FOR LAMP BASE



Romeo
Moon T1
p.42



Romeo
Soft T1
p.42



Tatou T1
p.18

WARNING! When installing and whenever acting on the appliance, ensure that the power supply has been switched off. For the installation of the spare-part, it is necessary to consult a qualified electrician.

TATOU T1 F7761009

EN

RF6138100

KIT OF TRANSPARENT PADS FOR LAMP BASE



Fig.1

Stick-on the feet (A) to the base.

WARNING! When installing and whenever acting on the appliance, ensure that the power supply has been switched off. For the installation of the spare-part, it is necessary to consult a qualified electrician.