

FLOS

■ F6611030 Black

Spun Light Table 2

Designed by Sebastian Wrong, 2003

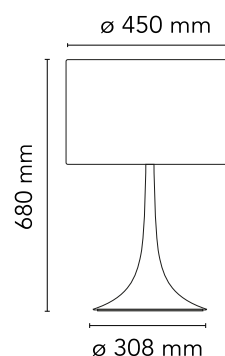


Halogen - 150W

Table/desk lamp providing diffused light. Spun metal frame and diffuser, die-cast aluminum diffuser support arms and lampholder support, painted in the colors indicated below. White, injection-molded polycarbonate diffuser supports. Sandblasted pressed glass upper diffuser screen. On the cable there is the electronic dimmer which allows the regulation of light brightness.

Are you a professional and your project needs consulting and support?

[BOOK AN APPOINTMENT](#)



Main specifications

EAN	8059607006955
Mounting	Table
Environments	Indoor dry location
Light Source Type	Bulb
Lamp category	Halogen
Lamp holders	E27
Ilcos	HSGS
Number of heads	1
Power (W)	150

Physical

Colour	Black
Cord length (mm)	1700
Net weight (kg)	5.6
Package height (cm)	780
Package width (cm)	510
Package length (cm)	510
Package volume (m3)	0.2
IP internal	20

Download

[Mounting instructions](#) PDF

[Spare Parts](#) PDF

Photometric Files

[LDT / IES](#) LDT

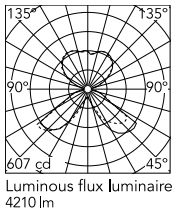
Technical Drawings

[2D](#) ZIP

[3D](#) ZIP



Schematic light drawing



Photometric

Lighting type	Indirect, Direct
Light distribution	Symmetric

Electrical

Insulation class	II
Frequency (Hz)	50/60
Main voltage (Vac)	220-240
LED voltage Vf (Vdc)	null
Dimmable	Yes
Dimming interface	Dimmer Integrated
Plug type	Type C
Batteries inside	No
Charging min time	No

Bulbs



NOT INCLUDED

RF26998

LED 21W E27 2450lm 3000K
DIMMER

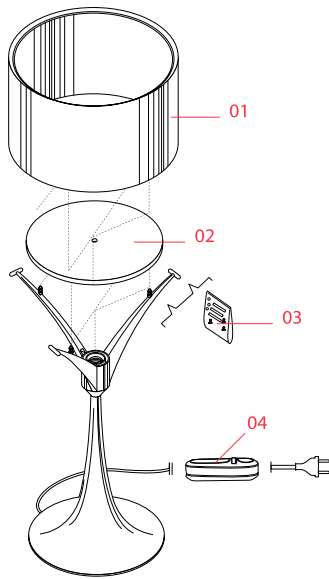


NOT INCLUDED

RF30429

LED Opal Lamp E27 21W 2700K
A65 Dimmable

Spare Parts



- | | | |
|-----|---------------------------------------|-----------|
| 01. | Spun Light T2 black diffuser | RF11715 |
| 02. | T2 anti-glare glass | RF11696 |
| 03. | Bag with diffuser supports and o-ring | RF6610100 |

DOWNLOAD



RF11715

Spun Light T2 black diffuser



RF11696

T2 anti-glare glass



RF6610100

Bag with diffuser supports and o-ring