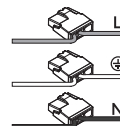


MOUNTING INSTRUCTION

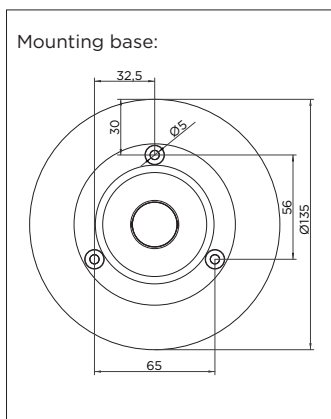
1 POWER CONNECTION

Connect to 220-240V.

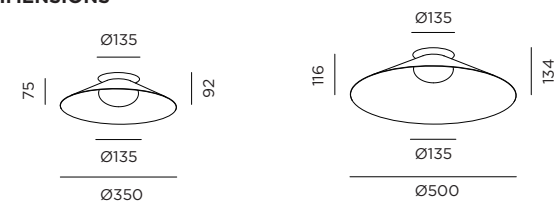


2 Mount the mounting base on the ceiling/wall with screws (screws are not included).

3 Fix the shade on the base by screwing the glass on the base.

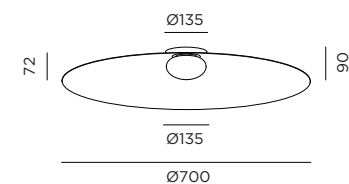


DIMENSIONS

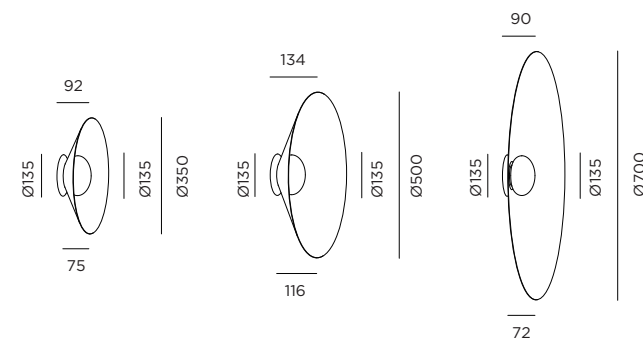


1.0 ceiling

2.0 ceiling



3.0 ceiling

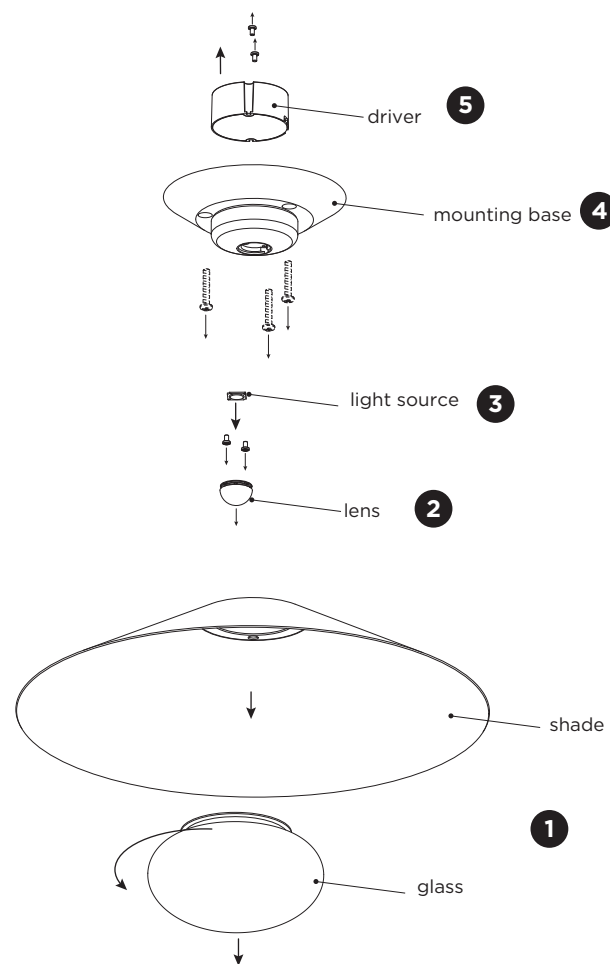


1.0 wall

2.0 wall

3.0 wall

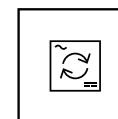
PB19-010-753-00_V1



DISMOUNTING AND RECYCLING INSTRUCTIONS

Light source & driver

- 1 Unscrew the glass and then remove the glass together with the shade.
- 2 Remove the lens.
- 3 Remove the light source.
- 4 Remove the mounting base by unscrewing it from the ceiling/wall.
- 5 Unscrew the driver to remove it.



The driver can be replaced by the end user.



The light source is replaceable by an authorized professional.
For advice contact your Wever & Ducré customer service contact point.

This luminaire contains a light source with the corresponding energy class:

colour temperature	Energy class
2700K	A ↑ G E
3000K	A ↑ G D