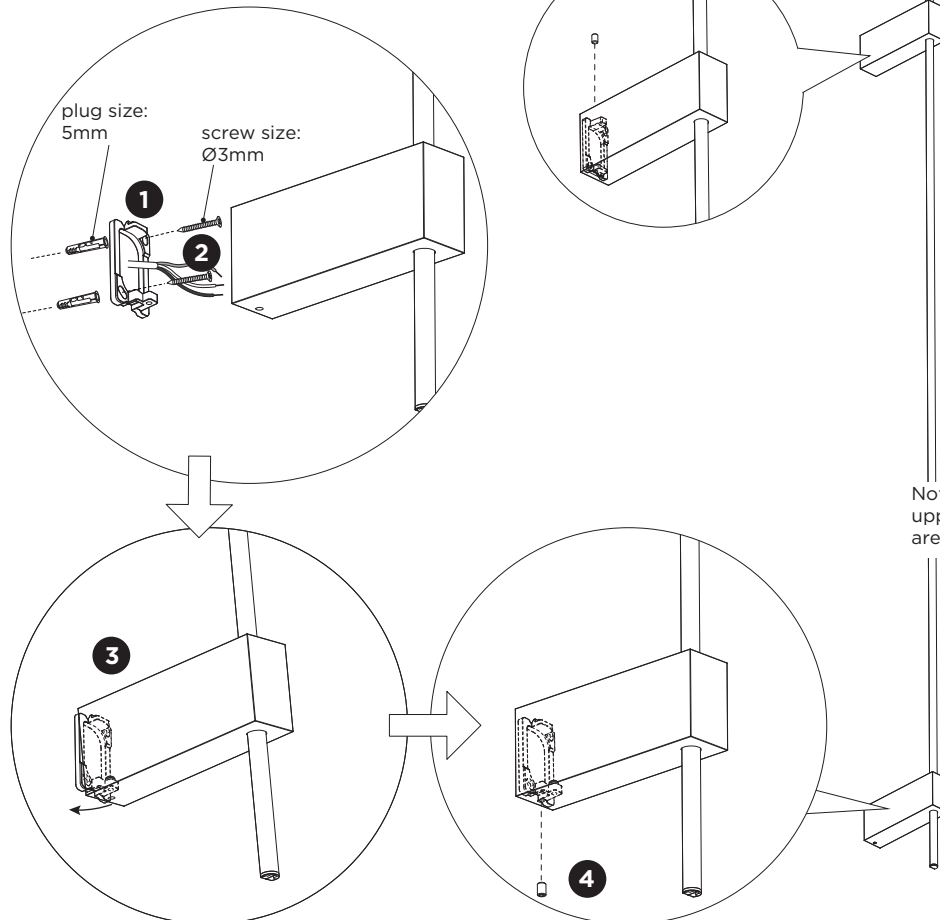
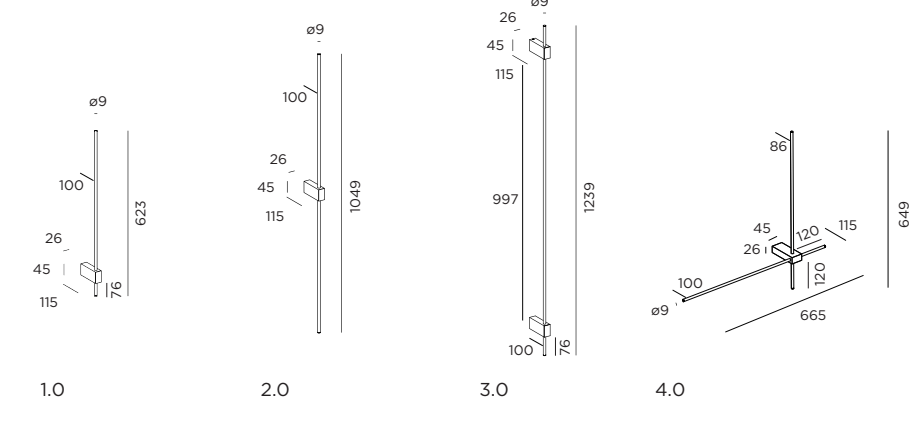


Installation method of 1.0/2.0/3.0/4.0

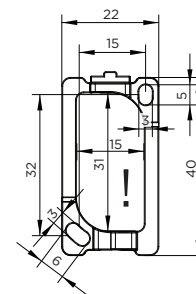


DIMENSIONS



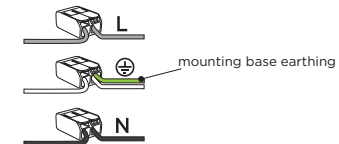
Note: for 3.0, the direction of the upper and lower mounting bases are symmetrical to each other.

Mounting base:



MOUNTING INSTRUCTION

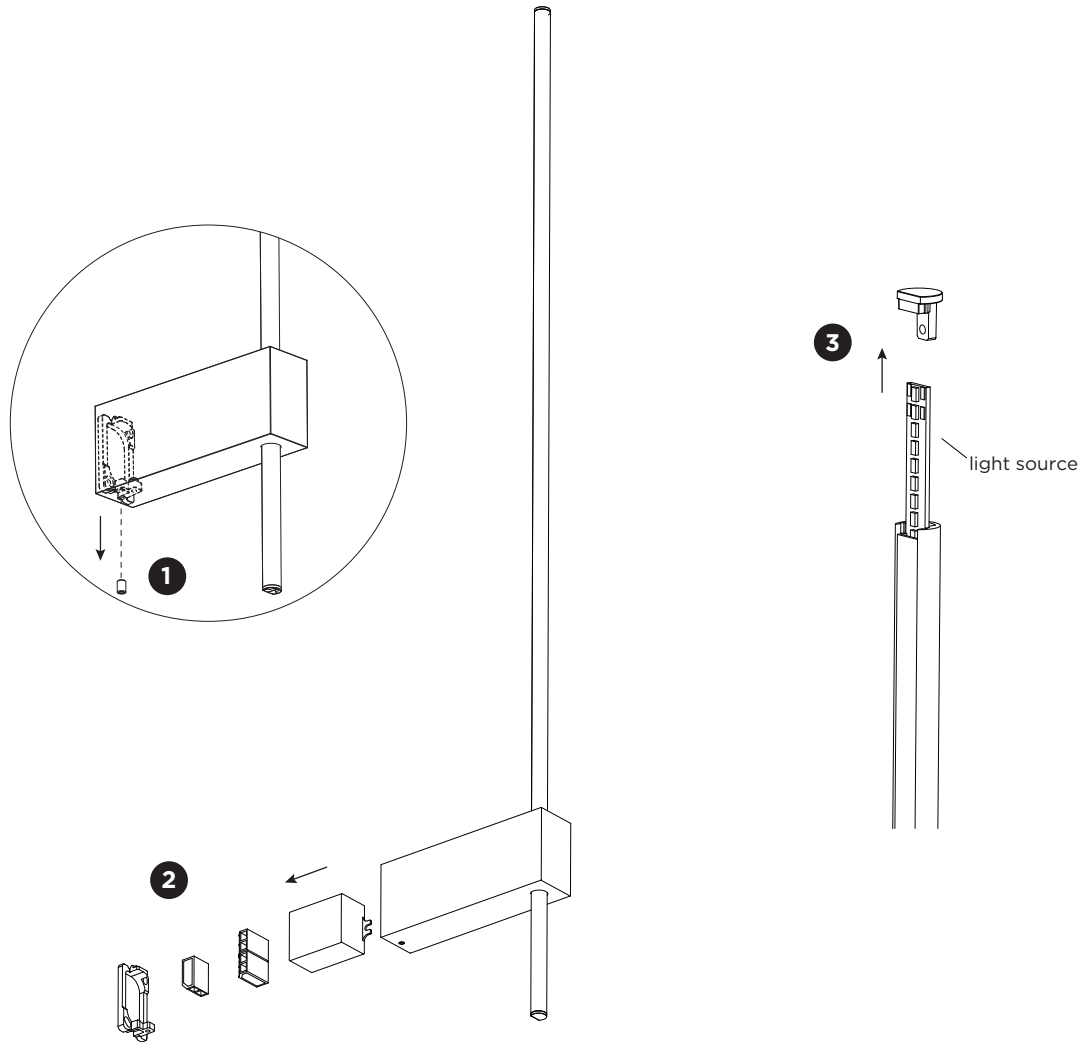
- 1 Remove the mounting base from the luminaire by loosening the socket screw and mount it on the wall with the screws.
- 2 **POWER CONNECTION**
Connect to 220-240V.



- 3 Attach the luminaire to the mounting base with the upper side first and tilt towards the wall as shown.
- 4 Fix the luminaire on the base with the socket screw.

FINLIN

INSTALLATION INSTRUCTIONS | FEBRUARY 2023



DISMOUNTING AND RECYCLING INSTRUCTIONS

Light source & driver

- 1** Remove the luminaire from the mounting base by loosening the socket screw.
- 2** Loosen the wires and remove the driver.
- 3** Remove the endcap and pull out light source.



The light source is replaceable by an authorized professional. For advice contact your Wever & Ducré customer service contact point.



The driver can be replaced by the end user.



This luminaire contains a light source with the energy class F.



WEVER & DUCRÉ
LIGHTING

WEVER & DUCRÉ BV

Spinnerijstraat 99/21, 8500 Kortrijk, Belgium
weverducre.com