

GIGANT

18-Jun-2019

10.0

LED | 42W | 220-240VAC | 50-60Hz | PCB 3-step | dali switch dim

CE IP20 960°C 0.3m P

white texture 213185W

LIGHT COLOUR

3000K | >85CRI | 5000lm 4

4000K | >85CRI | 5300lm 6

OPTIONAL

suspension set 4.0m 90015114

16.0

LED | 83W | 220-240VAC | 50-60Hz | PCB 3-step | dali switch dim

CE IP20 960°C 0.3m P

white texture 213285W

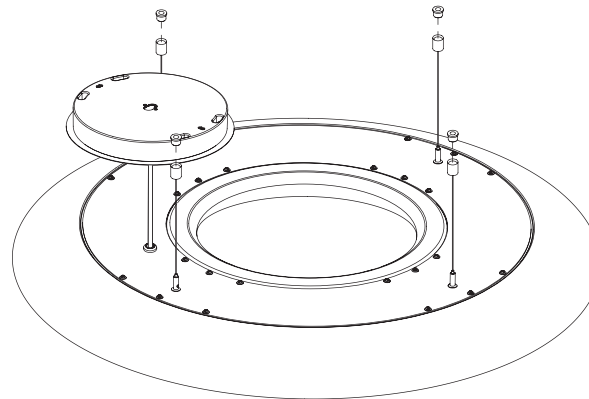
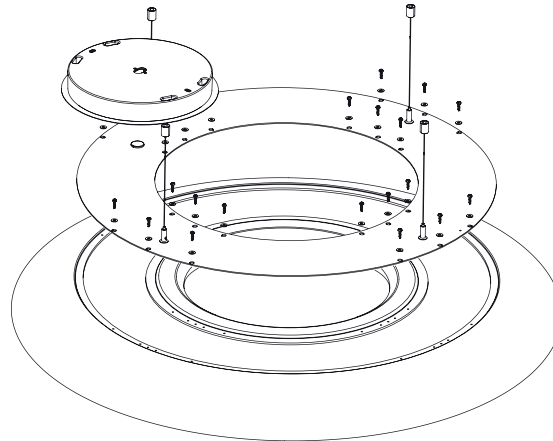
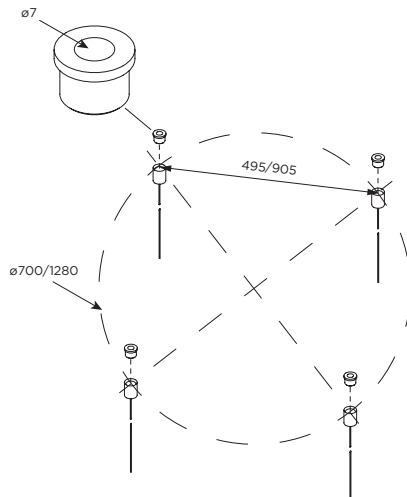
LIGHT COLOUR

3000K | >85CRI | 9900lm 4

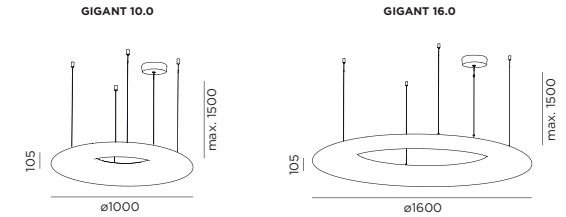
4000K | >85CRI | 10400lm 6

OPTIONAL

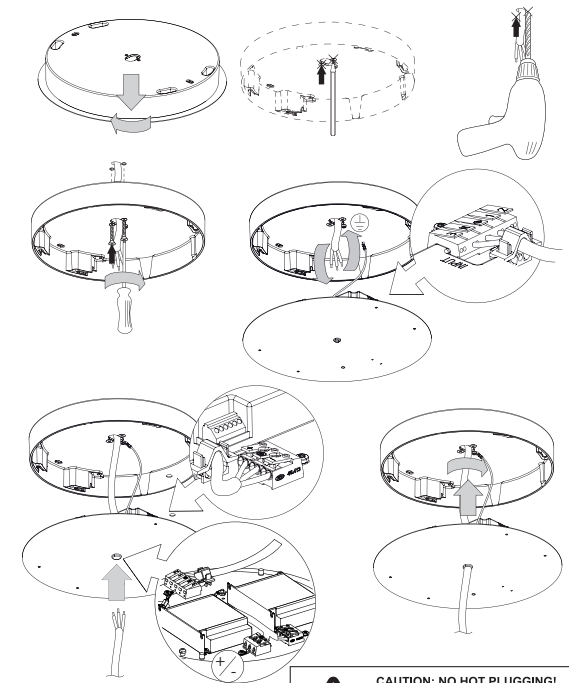
suspension set 4.0m 90015114



DIMENSIONS



MOUNTING INSTRUCTION



CAUTION: NO HOT PLUGGING!
Before connecting the luminaire the converter needs to be disconnected from the power supply. If this instruction is disregarded the luminaire might be damaged or destroyed.



WEVER & DUCRÉ
LIGHTING

www.weverducre.com

Wever & Ducré bvba Spinnerijstraat 99/21 8500 Kortrijk

INSTALLATION
INSTRUCTIONS

PAGE 1/2

DIMMING

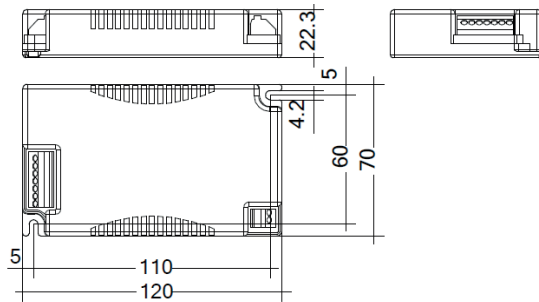
18-Jun-2019

LCA CONVERTER - PRE series

max. 45W | 500-1400mA | constant current | DIM 1-100%
 DALI-2 DEVICE type 6 | DSI | switchDIM
 suitable for emergency lighting units (EN50172)

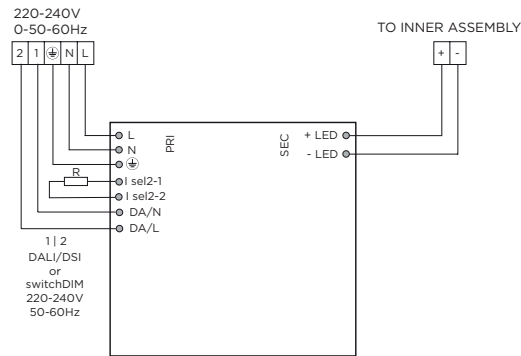


DIMENSIONS



GIGANT 10.0 | MACBETH 1.0 DALI & SWITCH DIM

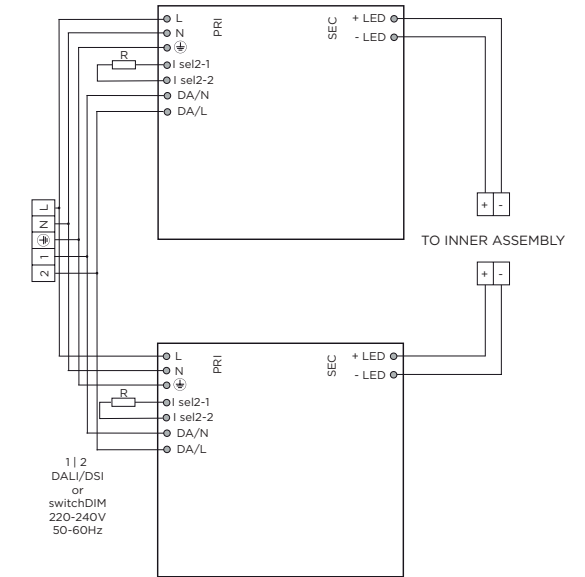
CIRCUIT DIAGRAM



GIGANT 16.0 DALI & SWITCH DIM

CIRCUIT DIAGRAM

220-240V
 0-50-60Hz



WEVER & DUCRÉ
 LIGHTING

www.weverducre.com

Wever & Ducre bvba Spinnerijstraat 99/21 8500 Kortrijk

**INSTALLATION
 INSTRUCTIONS**

PAGE 2/2