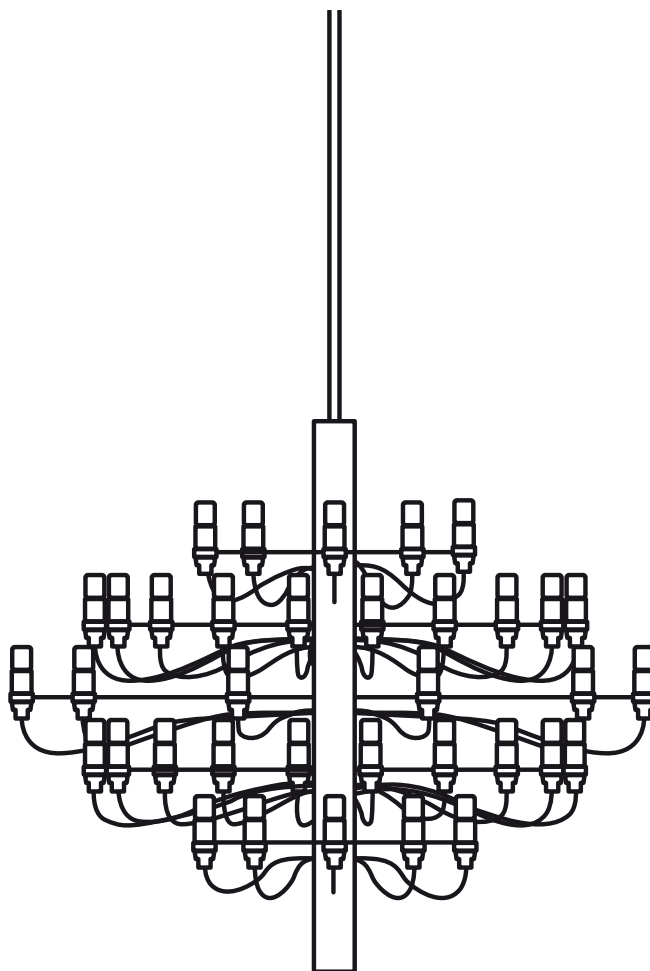


## 2097/50

Designed by Gino Sarfatti, 1958

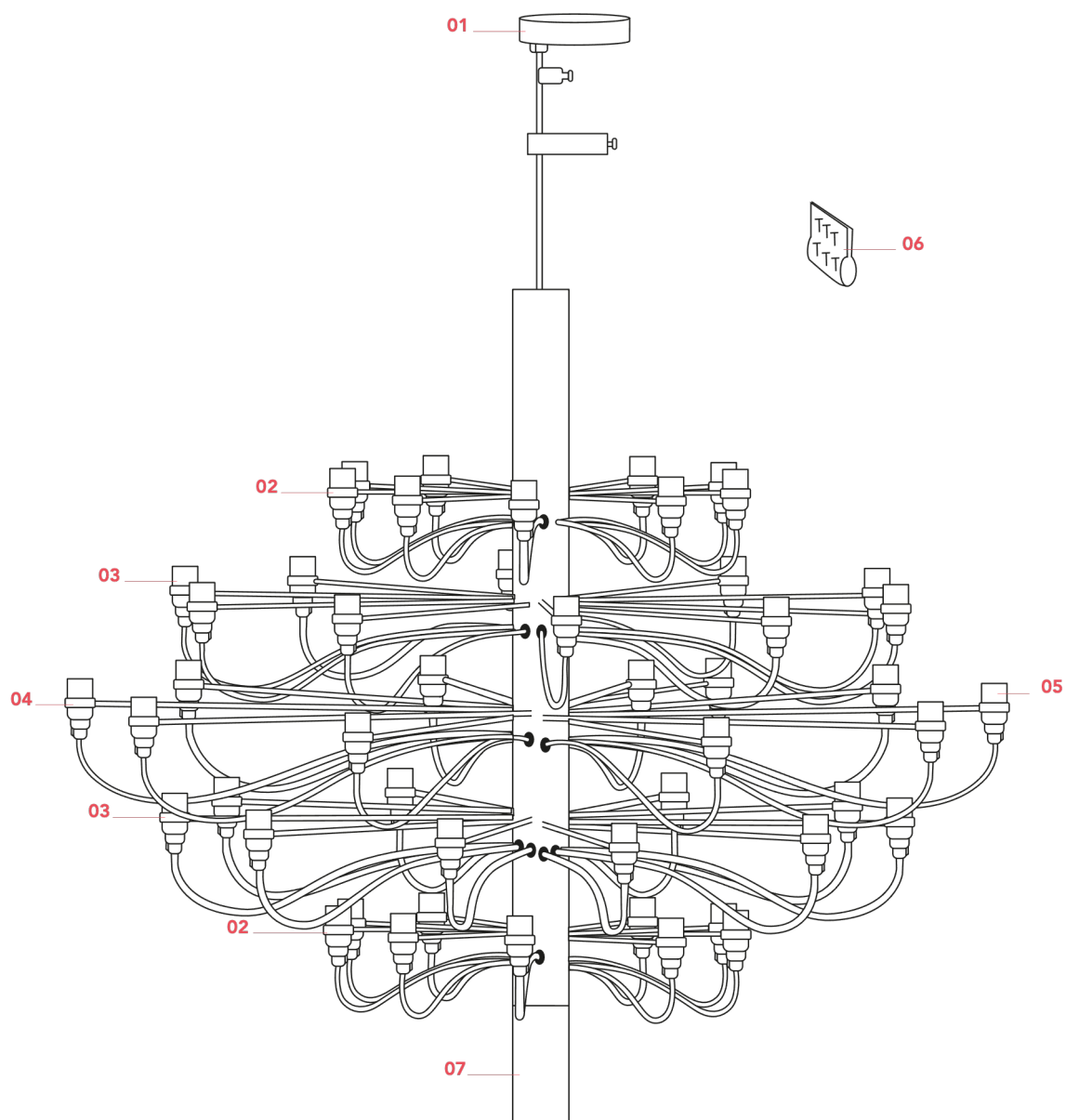
A1501031



## 2097/50

A1501031

EN



- 01. RL7060700 – Ceiling rose
- 02. RF26022 – Opal black short arm (200mm)
- 03. RF26024 – Opal black medium arm (375mm)
- 04. RF26025 – Opal black long arm (475mm)
- 05. RL7050100 – E14 lamp holder
- 06. RF1400100 – Opal black screw kit
- 07. RF1400300 – Opal black lower cap

2097/50 A1501031

EN

## RL7060700

CEILING ROSE



WARNING! When installing and whenever acting on the appliance, ensure that the power supply has been switched off.  
For the installation of the spare-part, it is necessary to consult a qualified electrician.

©2021 Flos - All rights reserved - [www.flos.com](http://www.flos.com)

Flos reserves the right to introduce any changes to its own models, without prior notice.

2097/50 A1501031

EN

## RL7060700

CEILING ROSE

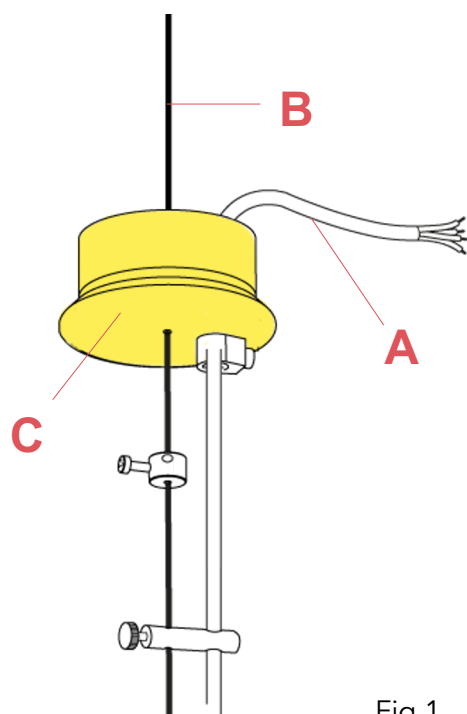


Fig.1

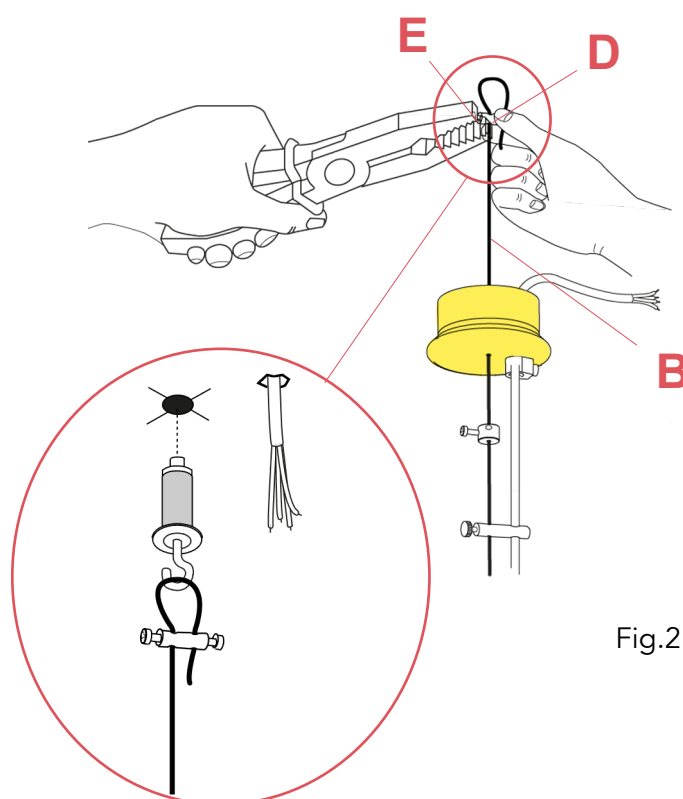


Fig.2

Insert the power supply cable (A) and the steel wire (C) through the ceiling rose (C).  
Adjust and then cut the steel wire (B) to the length desired.  
Insert the steel wire (B) through the clamp (D) so as to form a loop. Tighten screw (E).

WARNING! When installing and whenever acting on the appliance, ensure that the power supply has been switched off.  
For the installation of the spare-part, it is necessary to consult a qualified electrician.

2097/50 A1501031

EN

## RL7060700

CEILING ROSE

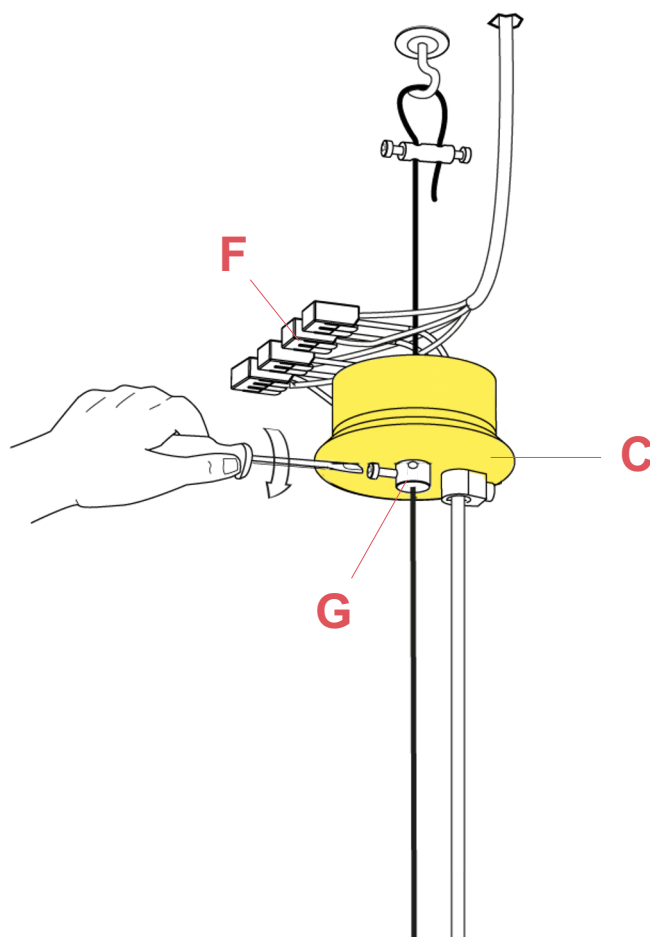


Fig.3

Connect the power supply cord to the terminal block (F).  
The apparatus has been designed for double wall switch:  
Neutral wire = BLUE.

1st phase wire for 1st wall switch = BROWN.

2nd phase 2nd wall switch = BLACK.

If you choose to utilize only on single wall switch it is necessary to bridge the brown wire with the black wire.

Push the ceiling rose (C) into position and lock it through the cable clamp (G).

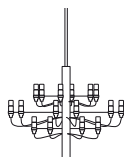
WARNING! When installing and whenever acting on the appliance, ensure that the power supply has been switched off.  
For the installation of the spare-part, it is necessary to consult a qualified electrician.

2097/50 A1501031

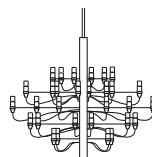
EN

## RF26022

OPAL BLACK SHORT ARM (200mm)



2097/18  
p.6



2097/50  
p.6

WARNING! When installing and whenever acting on the appliance, ensure that the power supply has been switched off.  
For the installation of the spare-part, it is necessary to consult a qualified electrician.

2097/50 A1501031

EN

## RF26022

OPAL BLACK SHORT ARM (200mm)

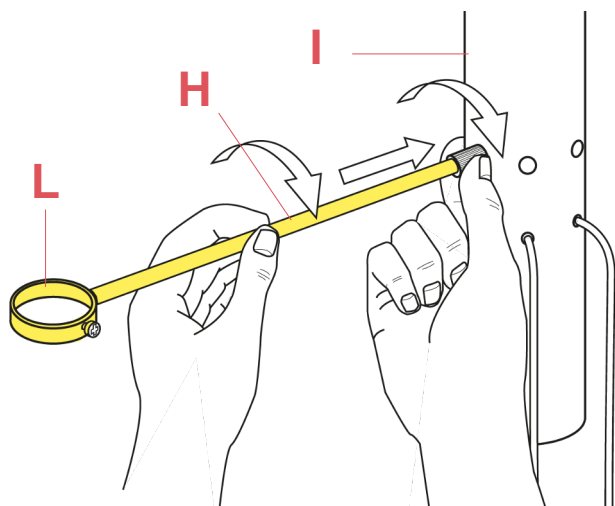


Fig.1

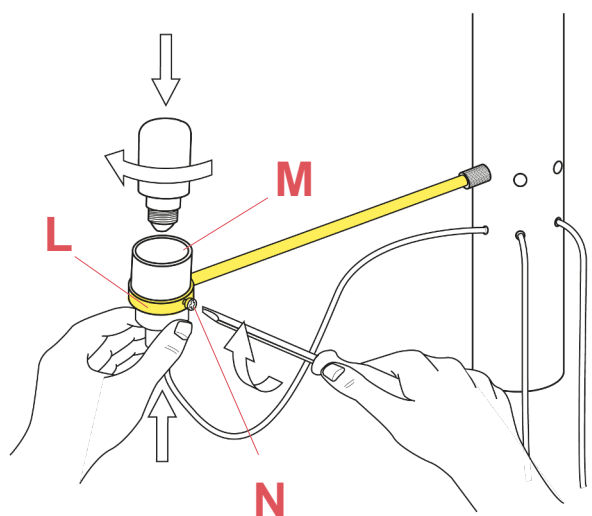


Fig.2

Screw the arms (H) to the lamp body (I), taking care not to bend on the rings (L).  
Insert the lamp holder (M) in the ring (L) and fasten them by locking the screw (N).

**WARNING!** When installing and whenever acting on the appliance, ensure that the power supply has been switched off.  
For the installation of the spare-part, it is necessary to consult a qualified electrician.

2097/50 A1501031

EN

## RF26024

OPAL BLACK MEDIUM ARM (375mm)



WARNING! When installing and whenever acting on the appliance, ensure that the power supply has been switched off.  
For the installation of the spare-part, it is necessary to consult a qualified electrician.

©2021 Flos - All rights reserved - [www.flos.com](http://www.flos.com)  
Flos reserves the right to introduce any changes to its own models, without prior notice.



2097/50 A1501031

EN

## RF26024

OPAL BLACK MEDIUM ARM (375mm)

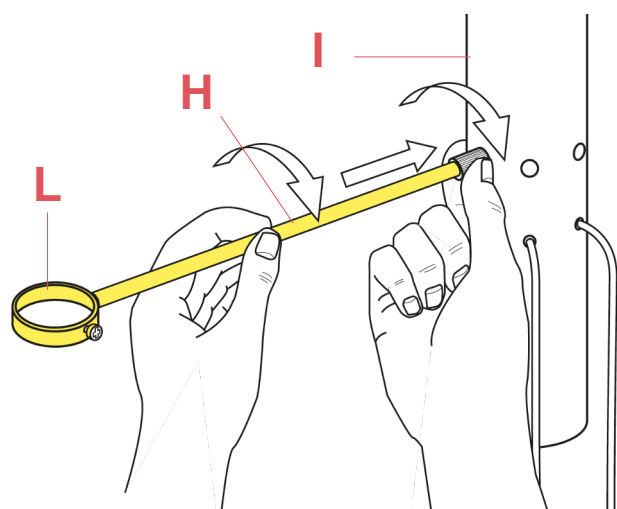


Fig.1

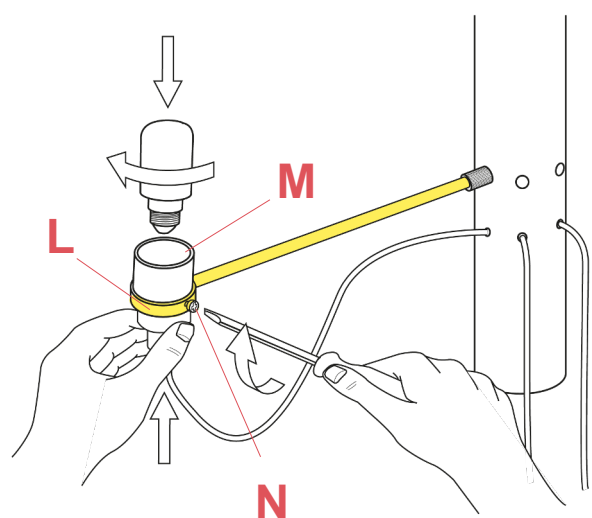


Fig.2

Screw the arms (H) to the lamp body (I), taking care not to bend on the rings (L). Insert the lamp holder (M) in the ring (L) and fasten them by locking the screw (N).

**WARNING!** When installing and whenever acting on the appliance, ensure that the power supply has been switched off. For the installation of the spare-part, it is necessary to consult a qualified electrician.

2097/50 A1501031

EN

## RF26025

OPAL BLACK LONG ARM (475mm)



WARNING! When installing and whenever acting on the appliance, ensure that the power supply has been switched off.  
For the installation of the spare-part, it is necessary to consult a qualified electrician.

©2021 Flos - All rights reserved - [www.flos.com](http://www.flos.com)  
Flos reserves the right to introduce any changes to its own models, without prior notice.

2097/50 A1501031

EN

## RF26025

OPAL BLACK LONG ARM (475mm)

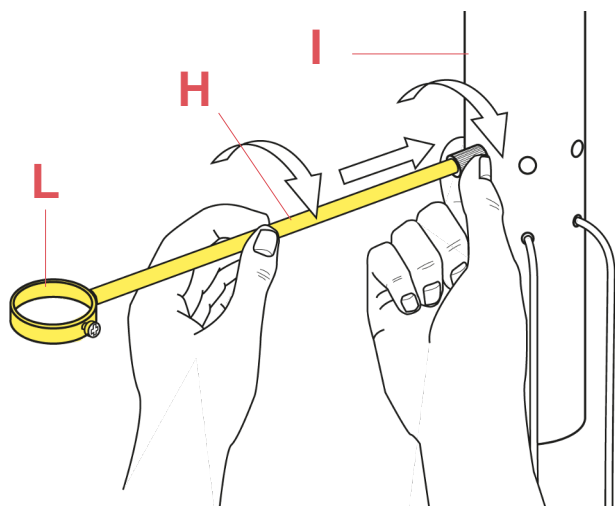


Fig.1

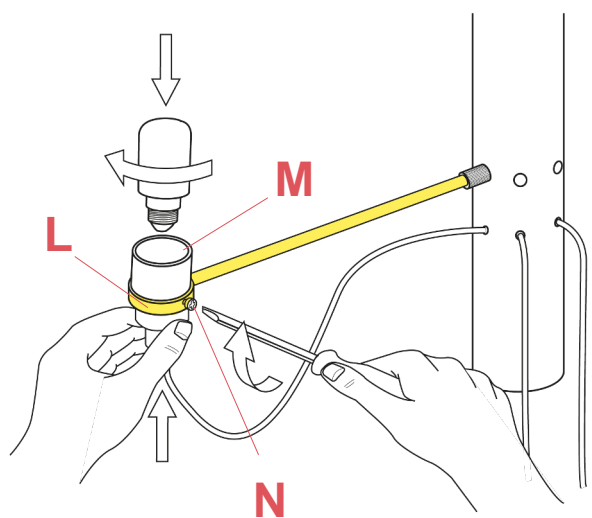


Fig.2

Screw the arms (H) to the lamp body (I), taking care not to bend on the rings (L).  
Insert the lamp holder (M) in the ring (L) and fasten them by locking the screw (N).

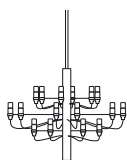
**WARNING!** When installing and whenever acting on the appliance, ensure that the power supply has been switched off.  
For the installation of the spare-part, it is necessary to consult a qualified electrician.

2097/50 A1501031

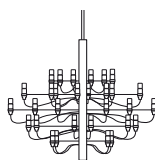
EN

## RL7050100

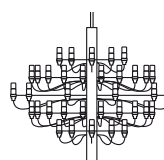
E14 LAMP HOLDER



2097/18  
p.10



2097/30  
p.12



2097/50  
p.12

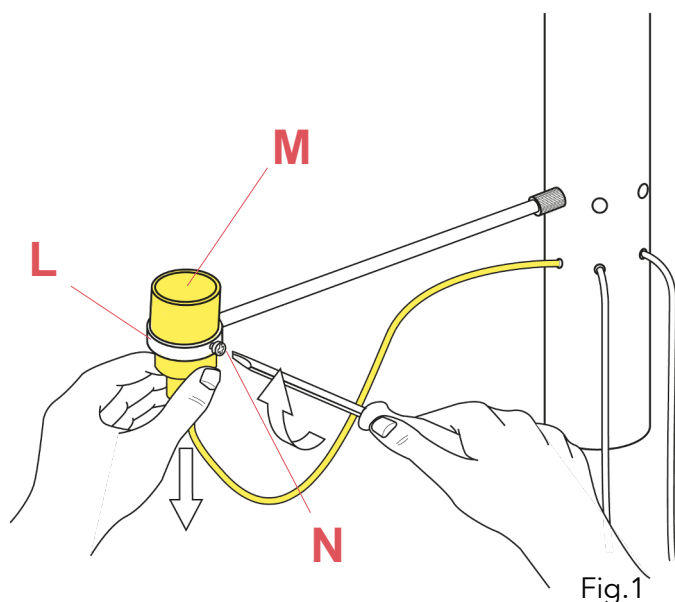
WARNING! When installing and whenever acting on the appliance, ensure that the power supply has been switched off.  
For the installation of the spare-part, it is necessary to consult a qualified electrician.

2097/50 A1501031

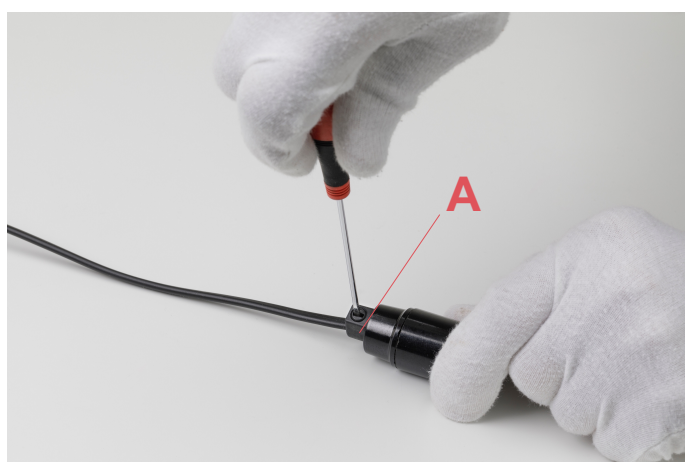
EN

## RL7050100

E14 LAMP HOLDER



Unfasten the screw (N) and free the lamp holder (M) from the ring of the arm (L) present on the lamp fixture.



Loosen the screw (A) of the cable clamp on the spare-part kit and also the one present on the lamp fixture.

**WARNING!** When installing and whenever acting on the appliance, ensure that the power supply has been switched off. For the installation of the spare-part, it is necessary to consult a qualified electrician.

2097/50 A1501031

EN

**RL7050100**

E14 LAMP HOLDER



Fig.3



Fig.4

Push down the brass central contact (B) of the fitting of the spare part kit and also on the fitting of the lamp fixture.

WARNING! When installing and whenever acting on the appliance, ensure that the power supply has been switched off. For the installation of the spare-part, it is necessary to consult a qualified electrician.

2097/50 A1501031

EN

**RL7050100**

E14 LAMP HOLDER



Fig.5

Unfasten the sleeve (C) from the support (D) of the spare-part kit and also on the lamp fixture.

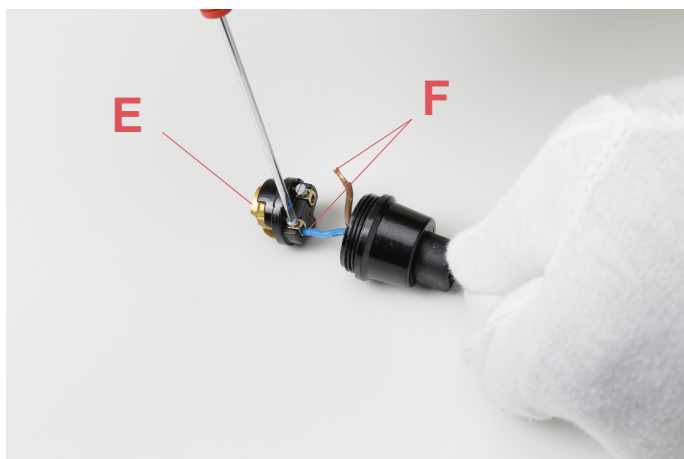


Fig.6

Disconnect the electrical wires (F) from the fitting (E) on the spare-part kit and also on the lamp fixture.  
Remove all the components from the electrical cable.

**WARNING!** When installing and whenever acting on the appliance, ensure that the power supply has been switched off.  
For the installation of the spare-part, it is necessary to consult a qualified electrician.

2097/50 A1501031

EN

# RL7050100

E14 LAMP HOLDER



Fig.7



Fig.8



Fig.9

Assemble now the new spare-part:

Insert through the electrical cable the cable clamp (G) and the support (D). Connect the wires (F) on the fitting (E) respecting the polarities.(Fig.7)

Insert the fitting (E) inside the support (D).(Fig.8)

Lift-up the brass central contact (B) on the fitting (E). (Fig.9)

Fasten the sleeve (C) on the support (D).(Fig.5 page 15)

Lock the cable by fastening the screw (A) of the cable clamp.(Fig.2 page 13)

Once replaced the lamp holder it is necessary to insert the lamp holder (M) in the ring (L) and fasten them by locking the screw (N).(Fig.1 page13)

WARNING! When installing and whenever acting on the appliance, ensure that the power supply has been switched off. For the installation of the spare-part, it is necessary to consult a qualified electrician.

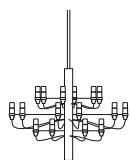


2097/50 A1501031

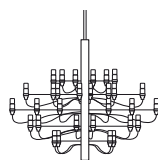
EN

## RF1400100

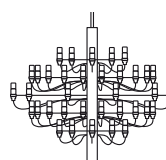
OPAL BLACK SCREW KIT



2097/18  
p.15



2097/30  
p.17



2097/50  
p.17

WARNING! When installing and whenever acting on the appliance, ensure that the power supply has been switched off. For the installation of the spare-part, it is necessary to consult a qualified electrician.

2097/50 A1501031

EN

## **RF1400300**

OPAL BLACK LOWER CAP



WARNING! When installing and whenever acting on the appliance, ensure that the power supply has been switched off.  
For the installation of the spare-part, it is necessary to consult a qualified electrician.

©2021 Flos - All rights reserved - [www.flos.com](http://www.flos.com)  
Flos reserves the right to introduce any changes to its own models, without prior notice.