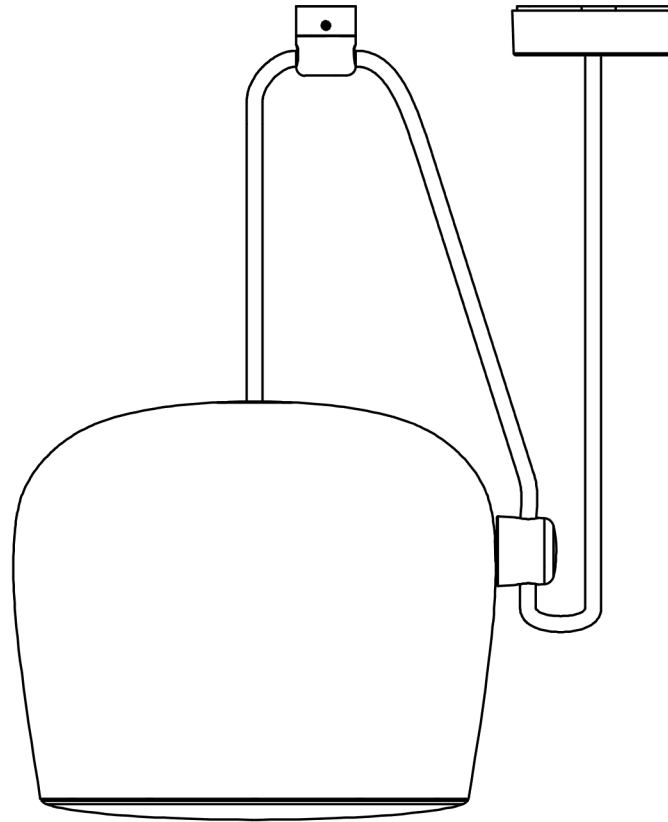


AIM

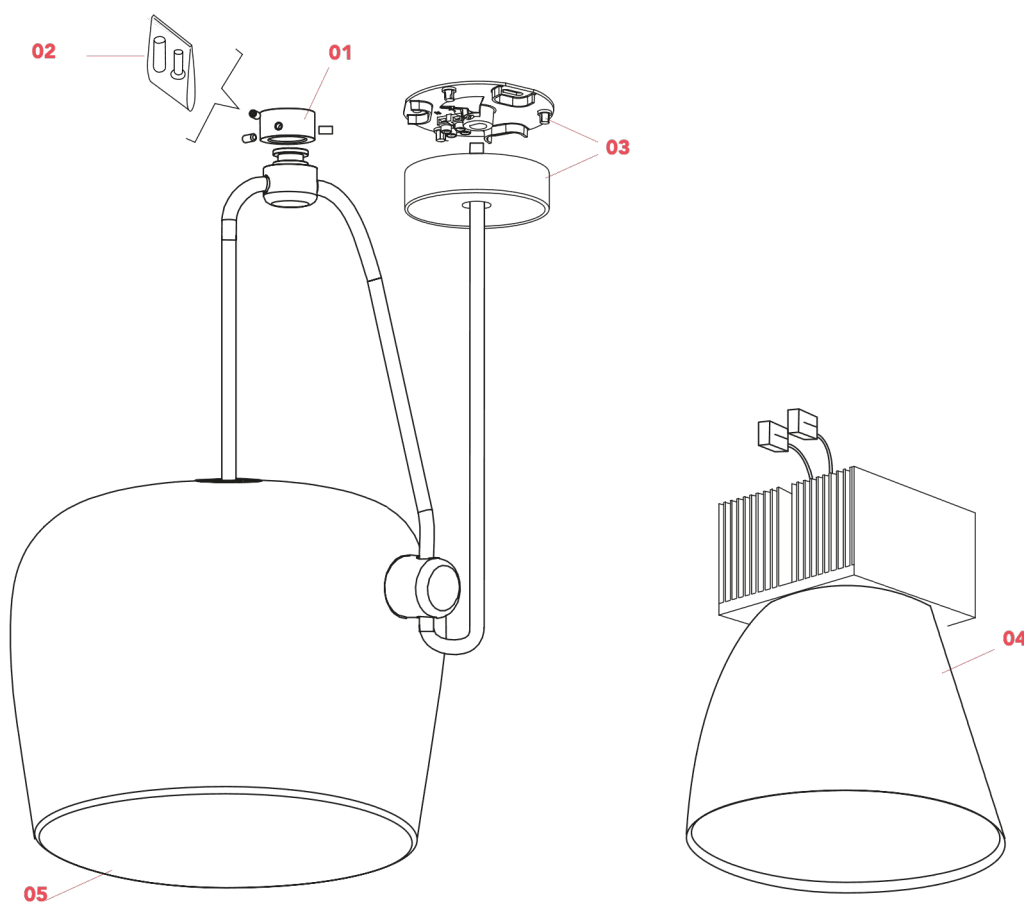
Designed by R. & E. Bouroullec, 2013

F0090023



AIM F0090023

EN



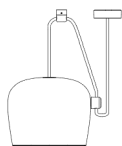
- 01. RF0090123 – Dark Grey/steel blue ceiling attachment assembly
- 02. RF06750 – N° 3 screws for black, dark grey/steel blue, ivy green, natural anodized
- 03. RF0090230 – Black ceiling rose assembly
- 04. RF0090300 – Sink/chip Led/Reflector assembly
- 05. RF0090600 – Opal diffuser

AIM F0090023

EN

RF0090123

DARK GREY/STEEL BLUE CEILING ATTACHMENT ASSEMBLY



Aim
p.03



Aim
Small
p.03

WARNING! When installing and whenever acting on the appliance, ensure that the power supply has been switched off. For the installation of the spare-part, it is necessary to consult a qualified electrician.

AIM F0090023

EN

RF0090123

DARK GREY/STEEL BLUE CEILING ATTACHMENT ASSEMBLY

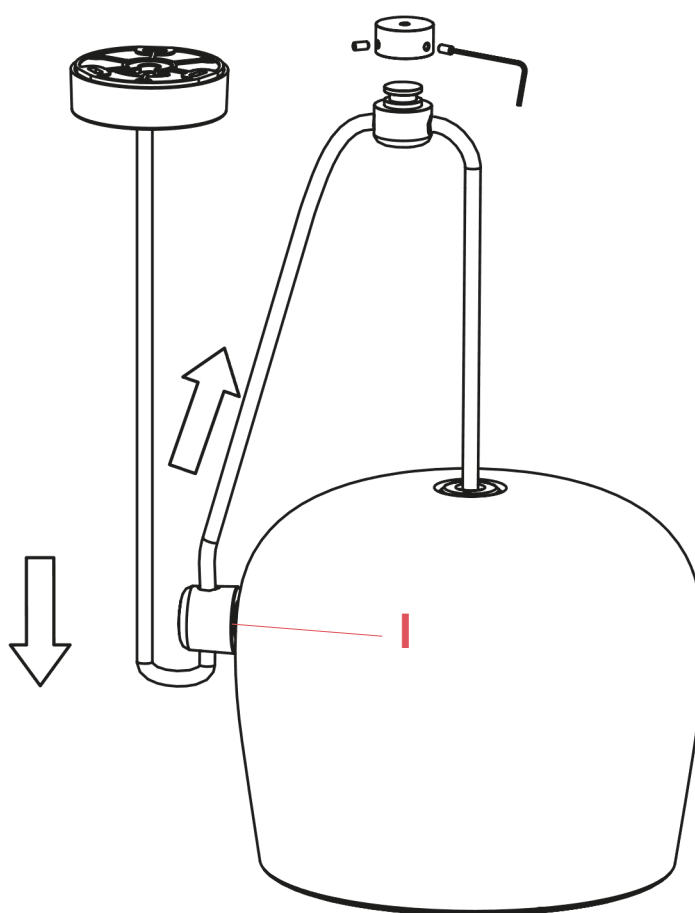


Fig.1

Free the electrical feed cable from the ceiling rose.
Slide out the electrical feed cable from the cable gland (I).

WARNING! When installing and whenever acting on the appliance, ensure that the power supply has been switched off.
For the installation of the spare-part, it is necessary to consult a qualified electrician.

AIM F0090023

EN

RF0090123

DARK GREY/STEEL BLUE CEILING ATTACHMENT ASSEMBLY

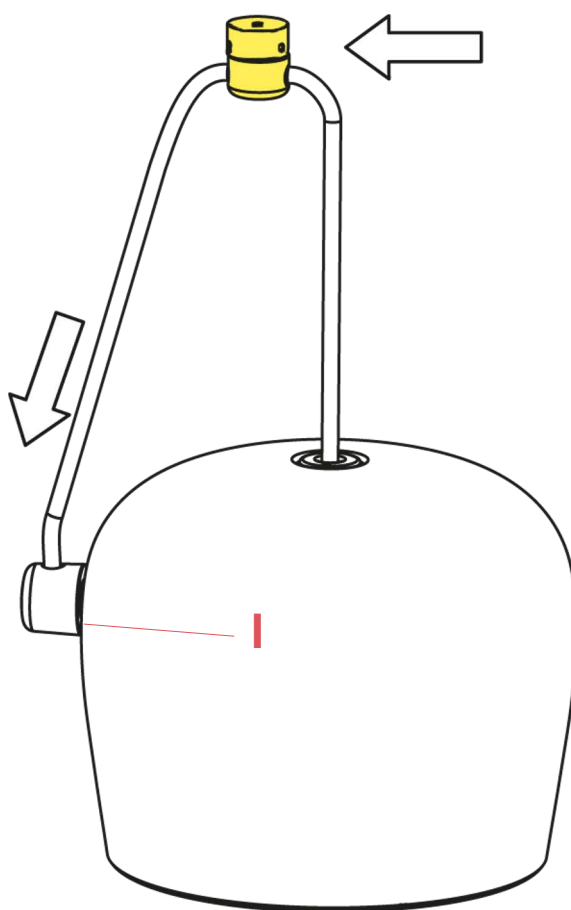


Fig.2

Insert the cable through the hole ceiling attachment (C) and through the cable gland hole (I).

WARNING! When installing and whenever acting on the appliance, ensure that the power supply has been switched off.
For the installation of the spare-part, it is necessary to consult a qualified electrician.

RF0090123

DARK GREY/STEEL BLUE CEILING ATTACHMENT ASSEMBLY

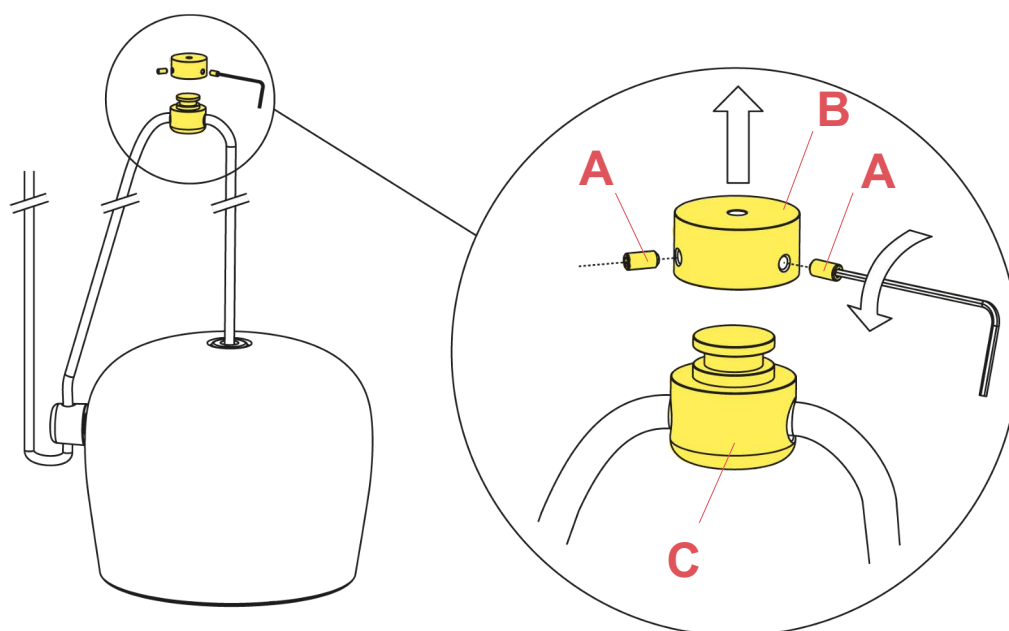


Fig.3

Unfasten the 3 screws (A) of the bearing ceiling attachment (B) by utilizing an Allen key and separate it from the cable gland (C).

WARNING! When installing and whenever acting on the appliance, ensure that the power supply has been switched off. For the installation of the spare-part, it is necessary to consult a qualified electrician.

RF0090123

DARK GREY/STEEL BLUE CEILING ATTACHMENT ASSEMBLY

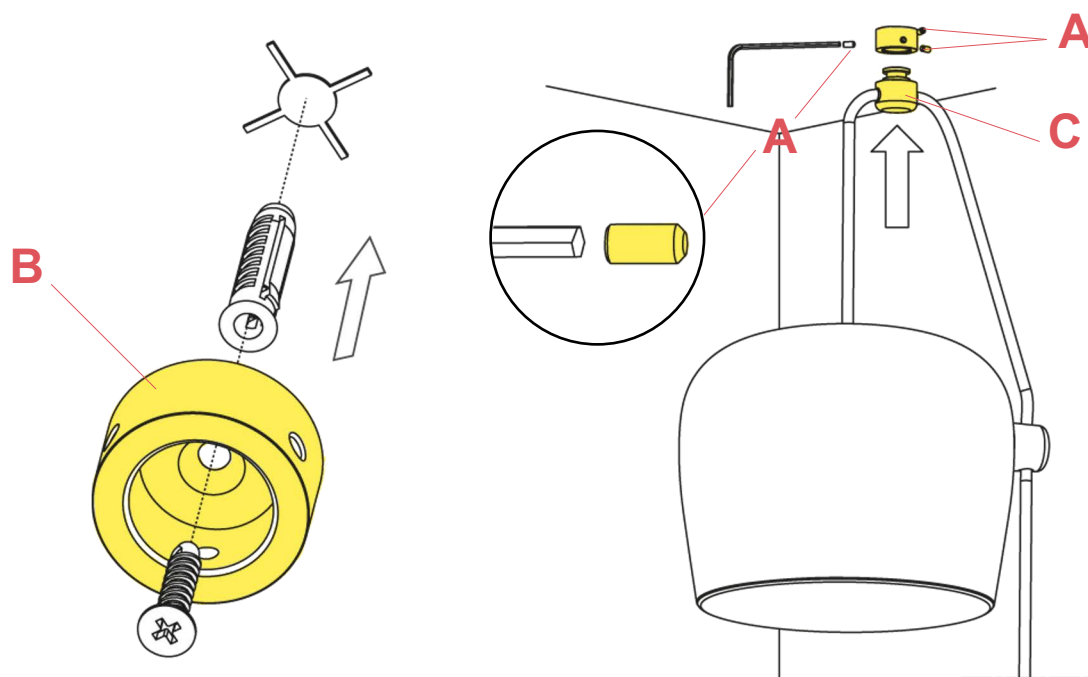


Fig.4

Fix the bearing ceiling attachment (B) to the desired point of the ceiling with screws and plugs.

NOTE: utilize screws and plugs suitable for the mounting surface.

Assemble the cable gland (C) to the ceiling attachment (B) and lock it with the 3 screws (A).

Connect back the electrical cable to the terminal present in the ceiling rose respecting the wire polarities.

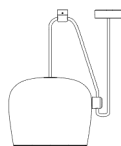
WARNING! When installing and whenever acting on the appliance, ensure that the power supply has been switched off.
For the installation of the spare-part, it is necessary to consult a qualified electrician.

AIM F0090023

EN

RF06750

KIT OF QUANTITY 3 M4 SCREWS



Aim
p.08



Aim
Small
p.08

WARNING! When installing and whenever acting on the appliance, ensure that the power supply has been switched off.
For the installation of the spare-part, it is necessary to consult a qualified electrician.

AIM F0090023

EN

RF06750

KIT OF QUANTITY 3 M4 SCREWS

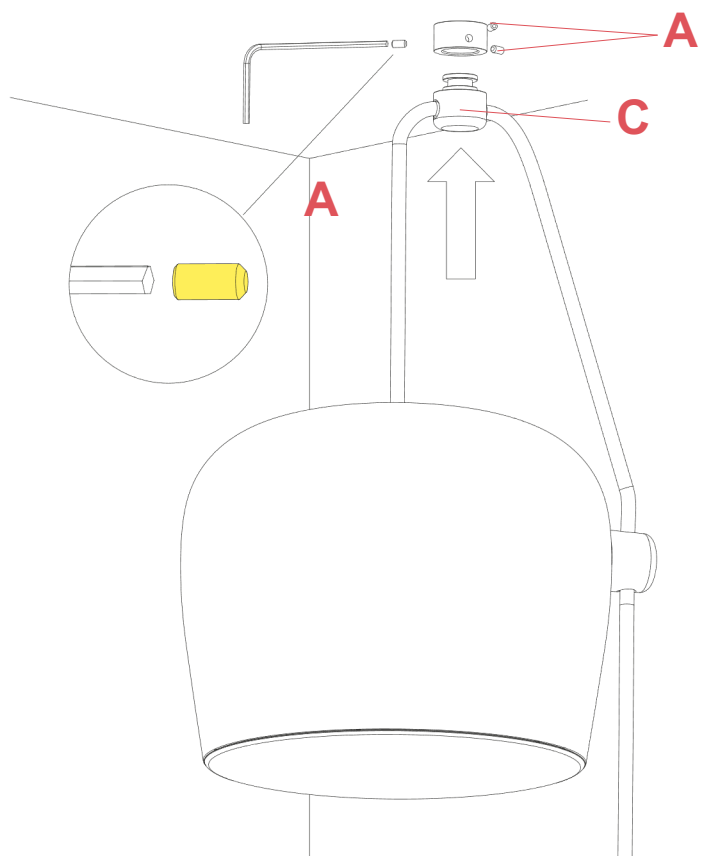


Fig.1

Assemble the cable gland (C) to the ceiling attachment (B) and lock it with the 3 screws (A).

WARNING! When installing and whenever acting on the appliance, ensure that the power supply has been switched off.
For the installation of the spare-part, it is necessary to consult a qualified electrician.

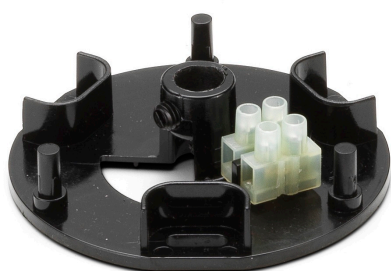
©2021 Flos - All rights reserved - www.flos.com
Flos reserves the right to introduce any changes to its own models, without prior notice.

AIM F0090023

EN

RF0090230

BLACK CEILING ROSE ASSEMBLY



WARNING! When installing and whenever acting on the appliance, ensure that the power supply has been switched off.
For the installation of the spare-part, it is necessary to consult a qualified electrician.

AIM F0090023

EN

RF0090230

BLACK CEILING ROSE ASSEMBLY

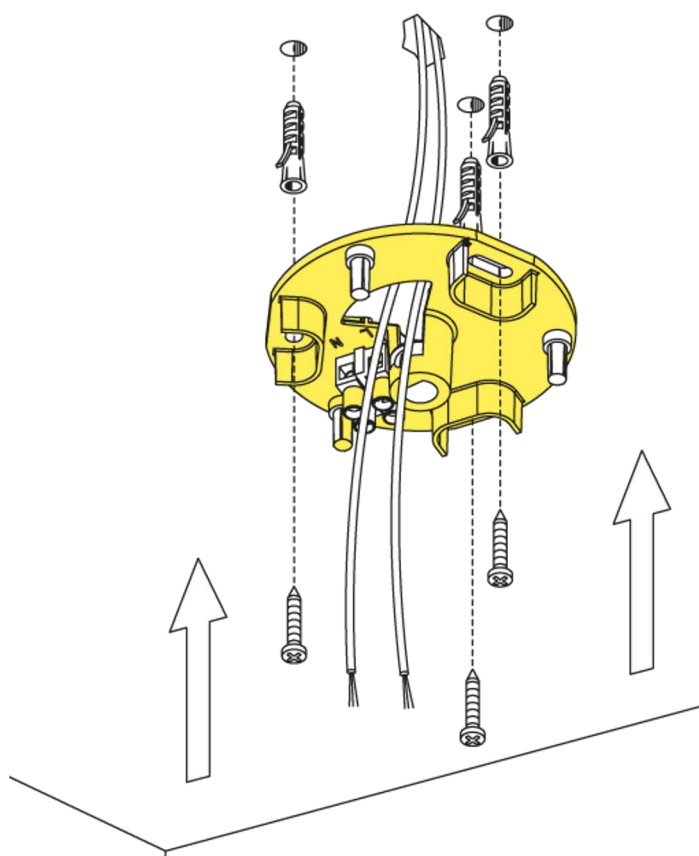


Fig.1

Install the wall fitting to the ceiling with screws and plugs, ensuring that the power wires pass through the central hole.

NOTE: Choose screw plugs that are suitable for the type of mounting surface.

WARNING! When installing and whenever acting on the appliance, ensure that the power supply has been switched off.
For the installation of the spare-part, it is necessary to consult a qualified electrician.

©2021 Flos - All rights reserved - www.flos.com
Flos reserves the right to introduce any changes to its own models, without prior notice.

AIM F0090023

EN

RF0090300

SINK/CHIP LED/REFLECTOR ASSEMBLY AIM



WARNING! When installing and whenever acting on the appliance, ensure that the power supply has been switched off. For the installation of the spare-part, it is necessary to consult a qualified electrician.

AIM F0090023

EN

RF0090300

SINK/CHIP LED/REFLECTOR ASSEMBLY AIM

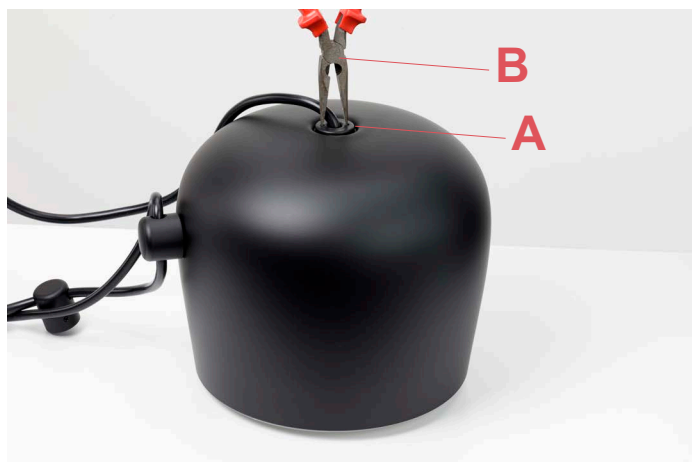


Fig.1

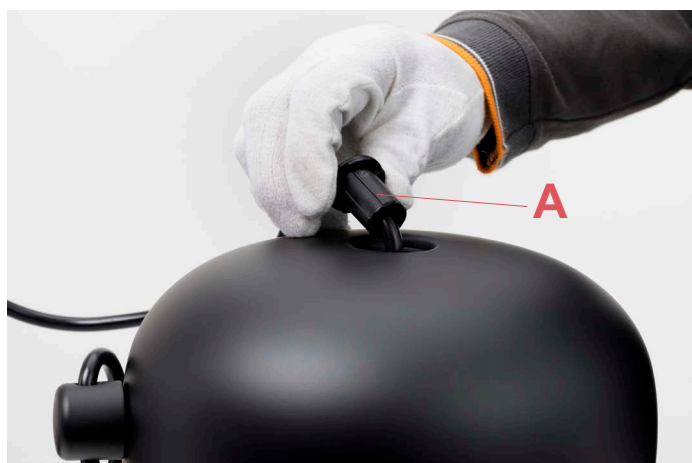


Fig.2

Remove the joint (A) by unfastening it with a pair of pliers (B).

WARNING! When installing and whenever acting on the appliance, ensure that the power supply has been switched off.
For the installation of the spare-part, it is necessary to consult a qualified electrician.

©2021 Flos - All rights reserved - www.flos.com
Flos reserves the right to introduce any changes to its own models, without prior notice.

AIM F0090023

EN

RF0090300

SINK/CHIP LED/REFLECTOR ASSEMBLY AIM



Fig.3

Lift-up the varnished body (C) from the internal body (D).

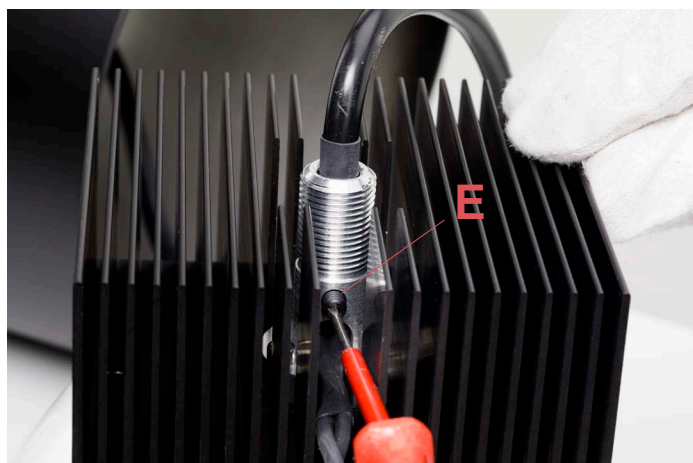


Fig.4

Unscrew the screw (E).

WARNING! When installing and whenever acting on the appliance, ensure that the power supply has been switched off. For the installation of the spare-part, it is necessary to consult a qualified electrician.

AIM F0090023

EN

RF0090300

SINK/CHIP LED/REFLECTOR ASSEMBLY AIM

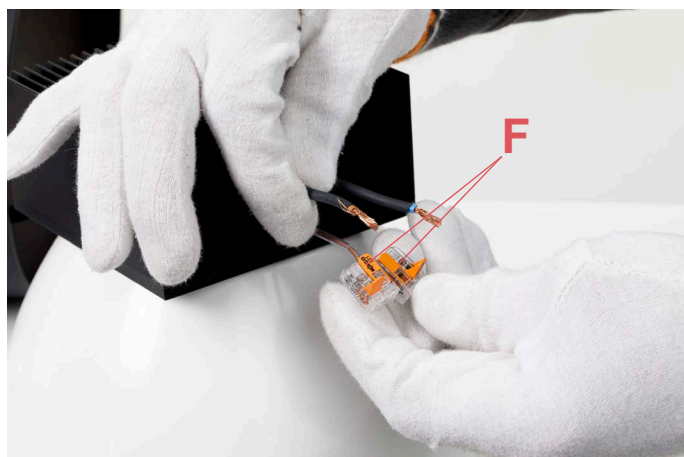


Fig.5

Disconnect the cables from the clamps (F).



Fig.6

Loosen the electrical cable from the sink.

WARNING! When installing and whenever acting on the appliance, ensure that the power supply has been switched off. For the installation of the spare-part, it is necessary to consult a qualified electrician.

AIM F0090023

EN

RF0090300

SINK/CHIP LED/REFLECTOR ASSEMBLY AIM

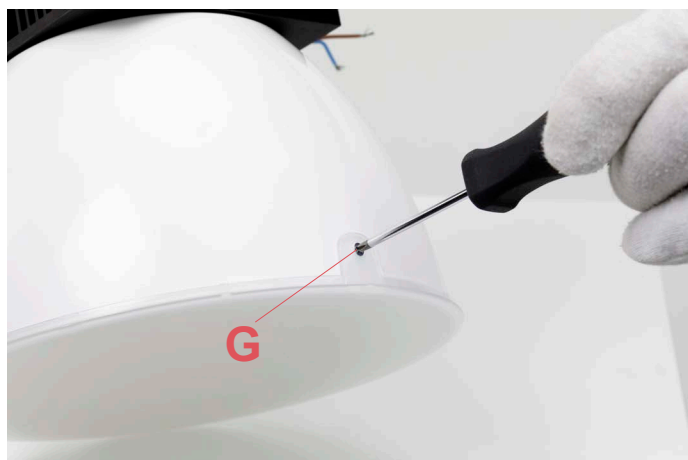


Fig.7

Unscrew the 4 screws (G) from the white reflector



Fig.8

Remove the diffuser.

WARNING! When installing and whenever acting on the appliance, ensure that the power supply has been switched off. For the installation of the spare-part, it is necessary to consult a qualified electrician.

AIM F0090023

EN

RF0090300

SINK/CHIP LED/REFLECTOR ASSEMBLY AIM

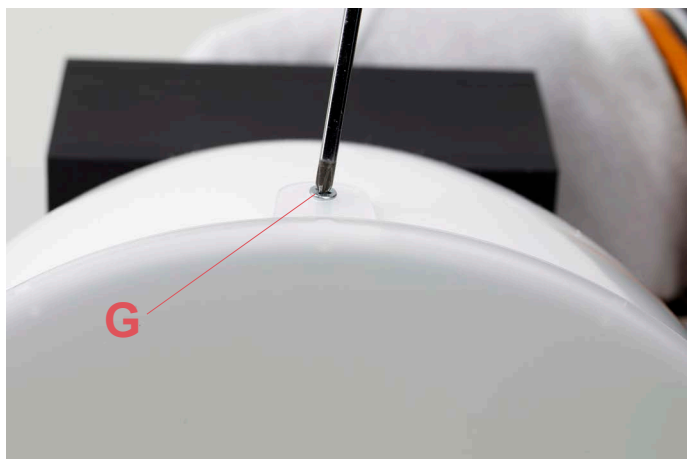


Fig.9

Screw the 4 screws (G) to the white reflector.

NOTE!

Do not screw so fast!!!

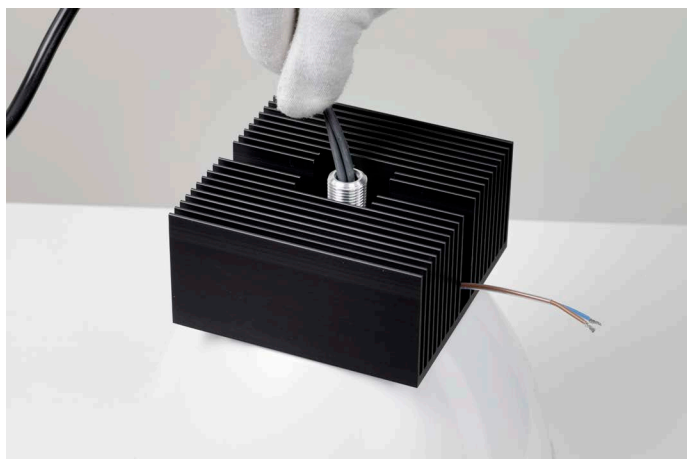


Fig.10

Insert the electrical cable in the sink.

WARNING! When installing and whenever acting on the appliance, ensure that the power supply has been switched off.
For the installation of the spare-part, it is necessary to consult a qualified electrician.

AIM F0090023

EN

RF0090300

SINK/CHIP LED/REFLECTOR ASSEMBLY AIM



Fig.11

Connect the cables to the new clamps (H).

NOTE!
Respect the polarity of the cables.



Fig.12

Screw the screw to fix the electrical cable.

WARNING! When installing and whenever acting on the appliance, ensure that the power supply has been switched off.
For the installation of the spare-part, it is necessary to consult a qualified electrician.

©2021 Flos - All rights reserved - www.flos.com
Flos reserves the right to introduce any changes to its own models, without prior notice.

RF0090300

SINK/CHIP LED/REFLECTOR ASSEMBLY AIM



Fig.13

Insert the new internal body (D) in the varnished body (C).



Fig.14

Re-assemble the Joint (A).
Screw the joint (A) with a pair of pliers (B).(Fig.1 page 13)

WARNING! When installing and whenever acting on the appliance, ensure that the power supply has been switched off.
For the installation of the spare-part, it is necessary to consult a qualified electrician.

AIM F0090023

EN

RF0090600

AIM OPAL DIFFUSER



WARNING! When installing and whenever acting on the appliance, ensure that the power supply has been switched off.
For the installation of the spare-part, it is necessary to consult a qualified electrician.

AIM F0090023

EN

RF0090600

AIM OPAL DIFFUSER

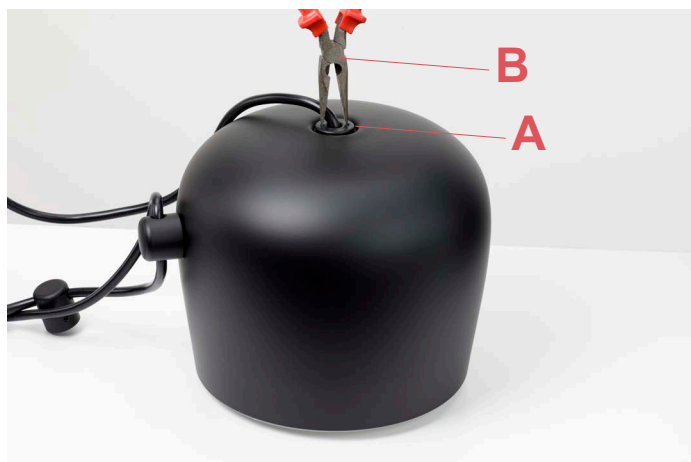


Fig.1

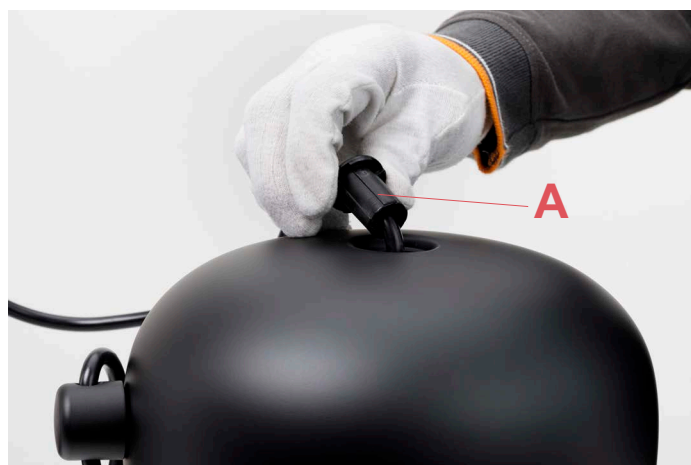


Fig.2

Remove the joint (A) by unfastening it with a pair of pliers (B).

WARNING! When installing and whenever acting on the appliance, ensure that the power supply has been switched off. For the installation of the spare-part, it is necessary to consult a qualified electrician.

AIM F0090023

EN

RF0090600

AIM OPAL DIFFUSER



Fig.3

Lift-up the varnished body (C) from the internal body (D).

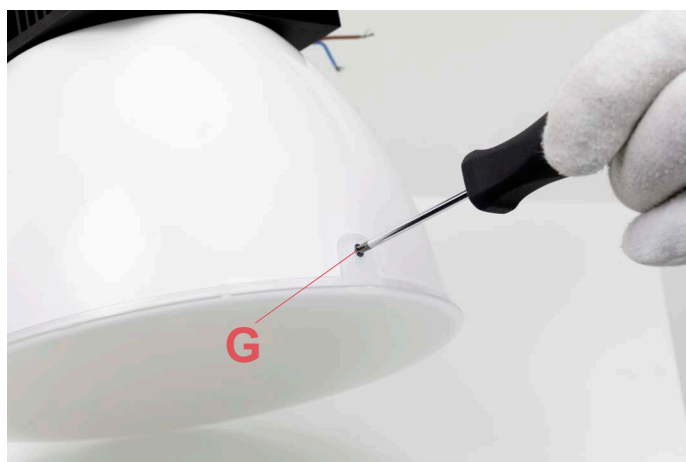


Fig.4

Unscrew the 3 screws (G) from the white reflector.

WARNING! When installing and whenever acting on the appliance, ensure that the power supply has been switched off.
For the installation of the spare-part, it is necessary to consult a qualified electrician.

AIM F0090023

EN

RF0090600

AIM OPAL DIFFUSER



Fig.5

Remove the diffuser.

NOTE!

Do not screw so fast!!!

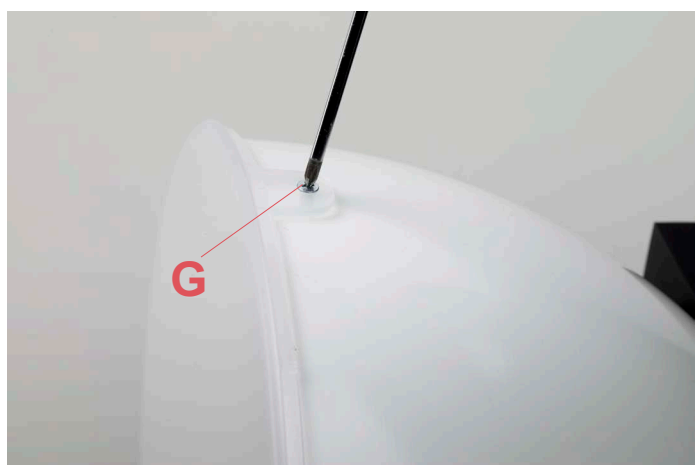


Fig.6

Insert the new internal body (D) in the varnished body (C).(Fig.3 page 22)

Re-assemble the Joint (A).(Fig.1 page 21)

Screw the joint (A) with a pair of pliers (B).(Fig.1 page 21)

WARNING! When installing and whenever acting on the appliance, ensure that the power supply has been switched off. For the installation of the spare-part, it is necessary to consult a qualified electrician.