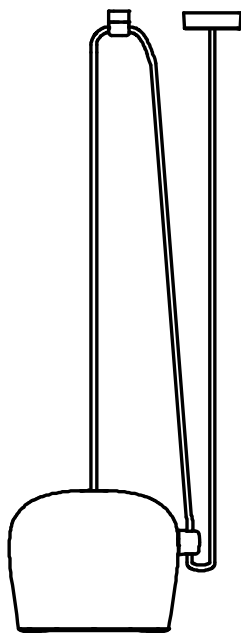


AIM SMALL

Designed by R. & E. Bouroullec, 2014

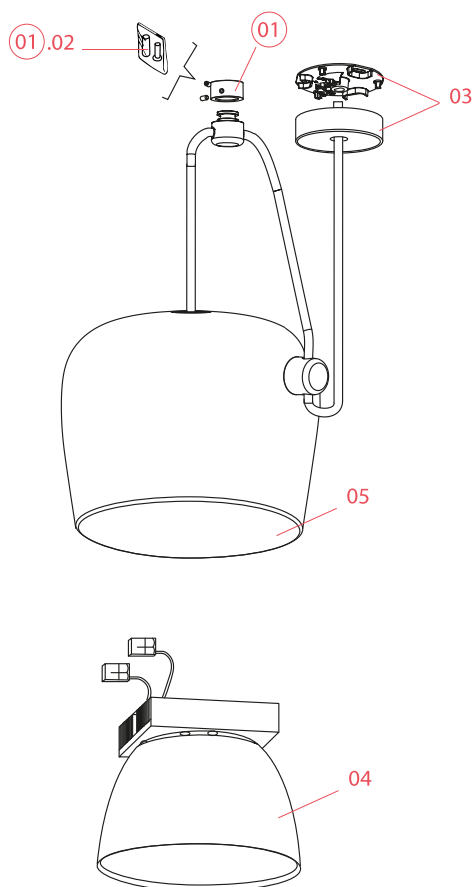
F0095054



AIM SMALL

F0095054

EN



01. RF0090154 – Natural anodized ceiling attachment assembly

02. RF06750 – N° 3 screws for black, dark grey/steel blue, ivy green, natural anodized versions

03. RF1555030 – Black ceiling rose assembly

04. RF0095100 – Sink/chip Led/Reflector assembly

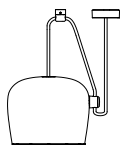
05. RF0095500 – Opal diffuser

AIM SMALL F0095054

EN

RF0090154

CEILING ATTACHMENT ASSEMBLY



Aim
p.03



Aim
Small
p.03

WARNING! When installing and whenever acting on the appliance, ensure that the power supply has been switched off.
For the installation of the spare-part, it is necessary to consult a qualified electrician.

AIM SMALL F0095054

EN

RF0090154

CEILING ATTACHMENT ASSEMBLY

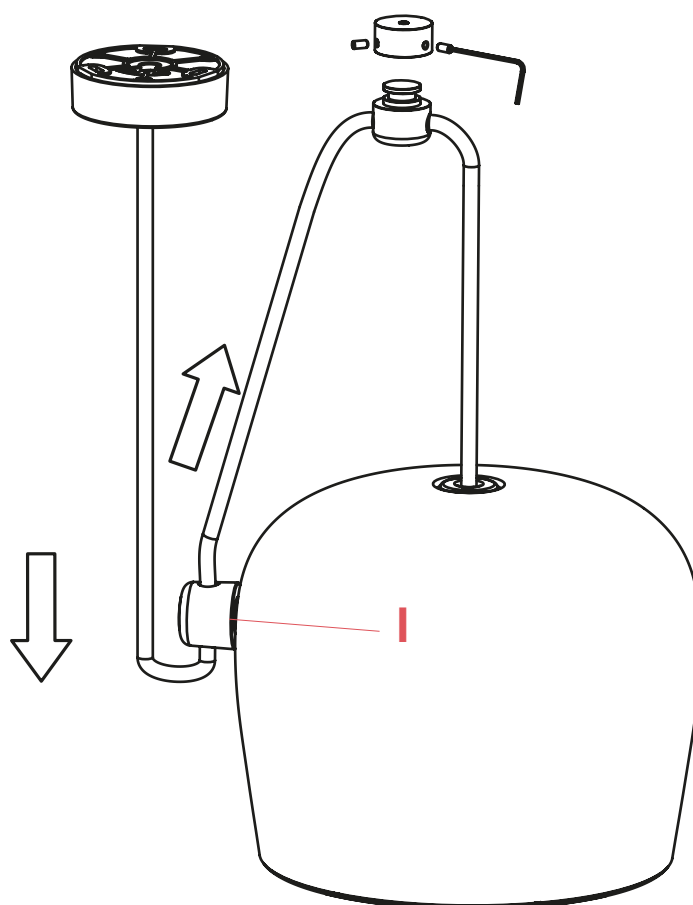


Fig.1

Free the electrical feed cable from the ceiling rose.
Slide out the electrical feed cable from the cable gland (I).

WARNING! When installing and whenever acting on the appliance, ensure that the power supply has been switched off.
For the installation of the spare-part, it is necessary to consult a qualified electrician.

AIM SMALL F0095054

EN

RF0090154

CEILING ATTACHMENT ASSEMBLY

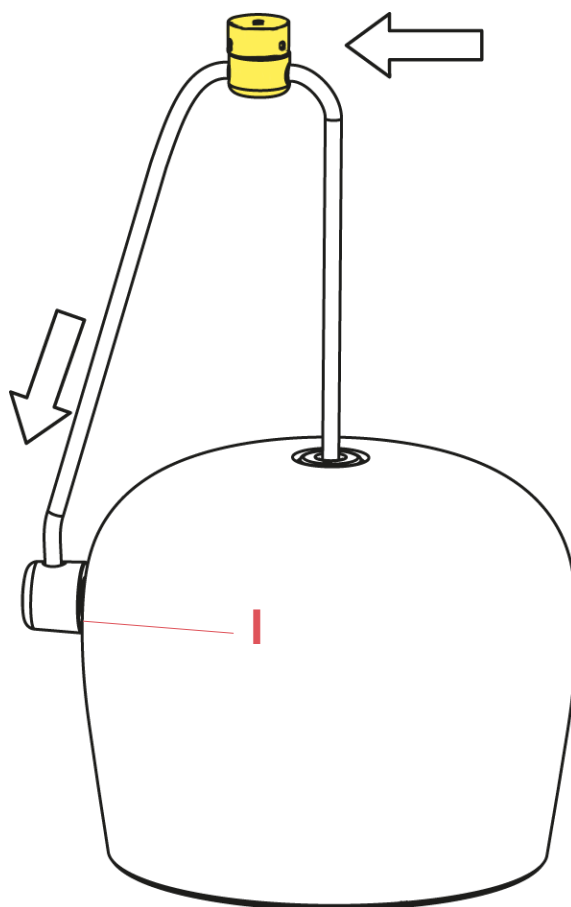


Fig.2

Insert the cable through the hole ceiling attachment (C) and through the cable gland hole (I).

WARNING! When installing and whenever acting on the appliance, ensure that the power supply has been switched off.
For the installation of the spare-part, it is necessary to consult a qualified electrician.

RF0090154

CEILING ATTACHMENT ASSEMBLY

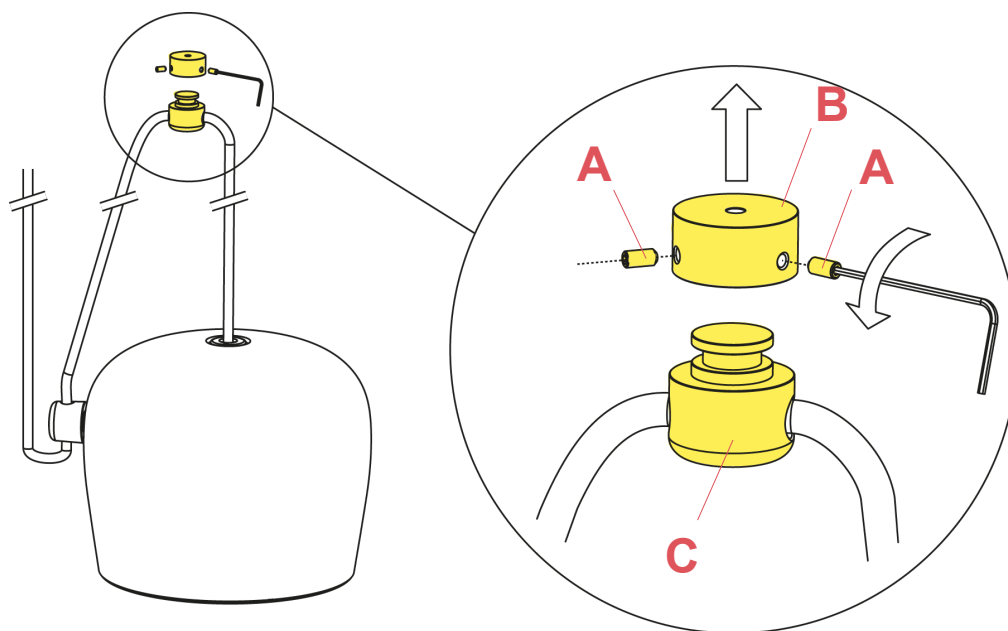


Fig.3

Unfasten the 3 screws (A) of the bearing ceiling attachment (B) by utilizing an Allen key and separate it from the cable gland (C).

WARNING! When installing and whenever acting on the appliance, ensure that the power supply has been switched off.
For the installation of the spare-part, it is necessary to consult a qualified electrician.

AIM SMALL F0095054

EN

RF0090154

CEILING ATTACHMENT ASSEMBLY

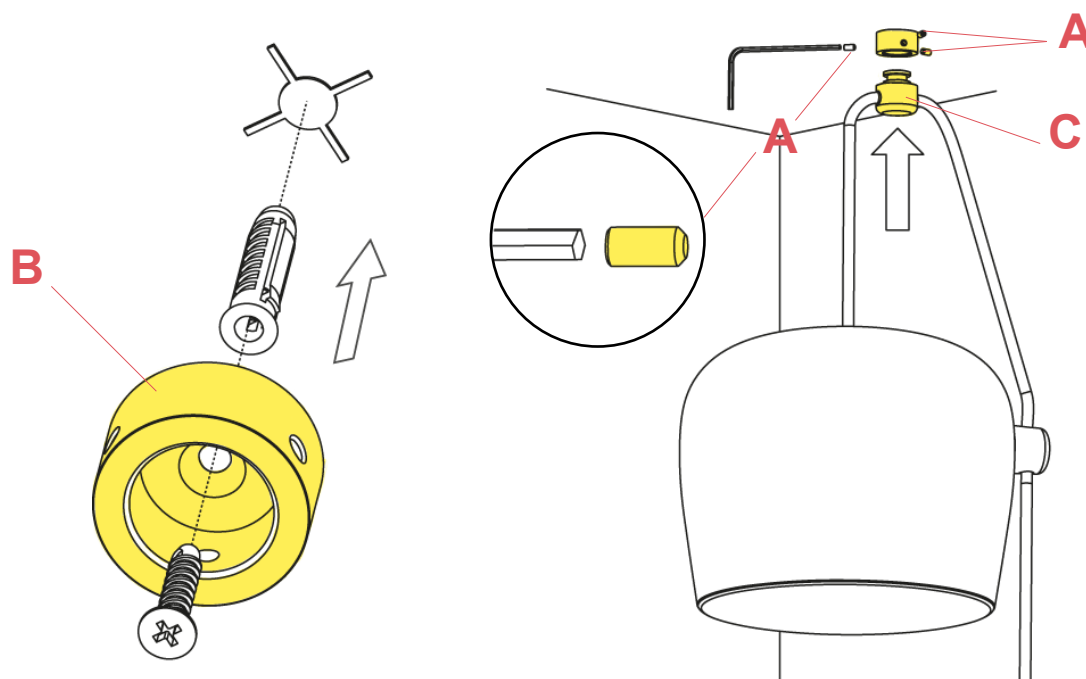


Fig.4

Fix the bearing ceiling attachment (B) to the desired point of the ceiling with screws and plugs.

NOTE: utilize screws and plugs suitable for the mounting surface.

Assemble the cable gland (C) to the ceiling attachment (B) and lock it with the 3 screws (A).

Connect back the electrical cable to the terminal present in the ceiling rose respecting the wire polarities.

WARNING! When installing and whenever acting on the appliance, ensure that the power supply has been switched off.
For the installation of the spare-part, it is necessary to consult a qualified electrician.

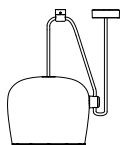
©2021 Flos - All rights reserved - www.flos.com
Flos reserves the right to introduce any changes to its own models, without prior notice.

AIM SMALL F0095054

EN

RF06750

KIT OF QUANTITY 3 M4 SCREWS



Aim
p.08



Aim
Small
p.08

WARNING! When installing and whenever acting on the appliance, ensure that the power supply has been switched off.
For the installation of the spare-part, it is necessary to consult a qualified electrician.

AIM SMALL F0095054

EN

RF06750

KIT OF QUANTITY 3 M4 SCREWS

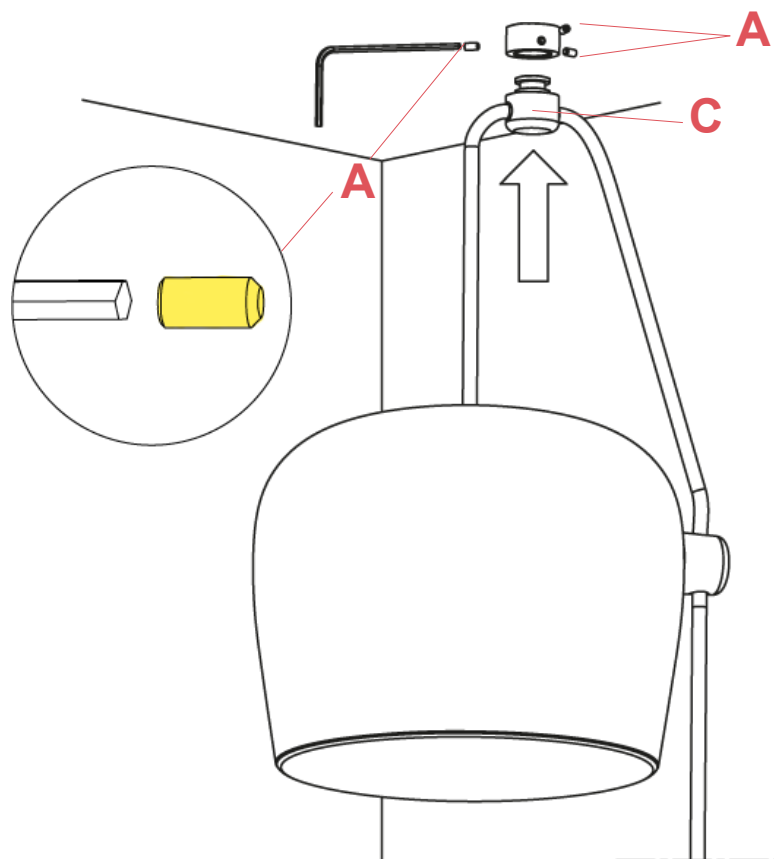


Fig.1

Assemble the cable gland (C) to the ceiling attachment (B) and lock it with the 3 screws (A).

WARNING! When installing and whenever acting on the appliance, ensure that the power supply has been switched off.
For the installation of the spare-part, it is necessary to consult a qualified electrician.

©2021 Flos - All rights reserved - www.flos.com
Flos reserves the right to introduce any changes to its own models, without prior notice.

AIM SMALL F0095054

EN

RF1555030

CEILING ROSE ASSEMBLY



WARNING! When installing and whenever acting on the appliance, ensure that the power supply has been switched off.
For the installation of the spare-part, it is necessary to consult a qualified electrician.

©2021 Flos - All rights reserved - www.flos.com
Flos reserves the right to introduce any changes to its own models, without prior notice.

AIM SMALL F0095054

EN

RF1555030

CEILING ROSE ASSEMBLY

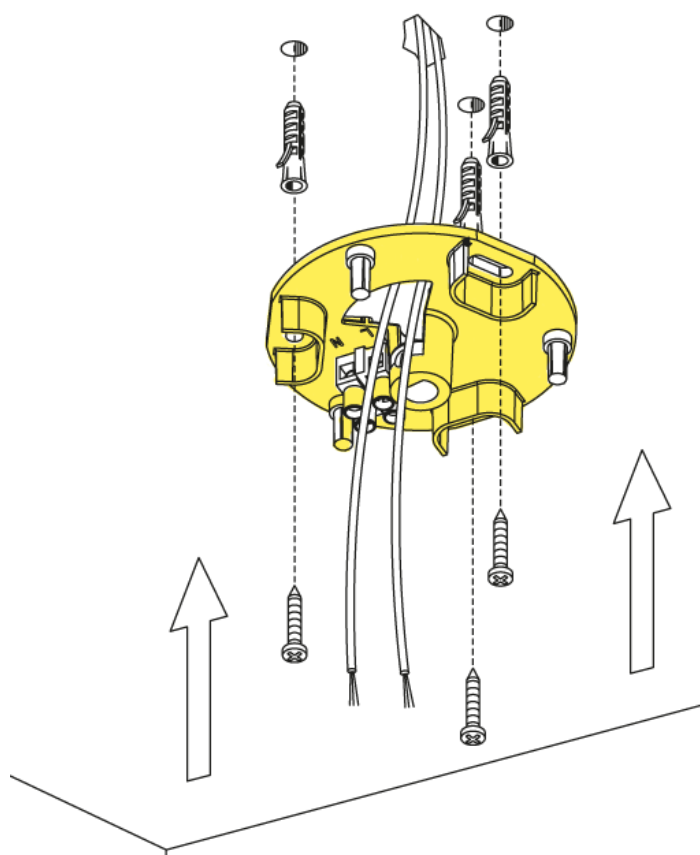


Fig.1

Install the wall fitting to the ceiling with screws and plugs, ensuring that the power wires pass through the central hole.

NOTE: Choose screw plugs that are suitable for the type of mounting surface.

WARNING! When installing and whenever acting on the appliance, ensure that the power supply has been switched off.
For the installation of the spare-part, it is necessary to consult a qualified electrician.

©2021 Flos - All rights reserved - www.flos.com
Flos reserves the right to introduce any changes to its own models, without prior notice.

AIM SMALL F0095054

EN

RF0095100

SINK/CHIP LED/REFLECTOR ASSEMBLY AIM SMALL



WARNING! When installing and whenever acting on the appliance, ensure that the power supply has been switched off.
For the installation of the spare-part, it is necessary to consult a qualified electrician.

AIM SMALL F0095054

EN

RF0095100

SINK/CHIP LED/REFLECTOR ASSEMBLY AIM SMALL

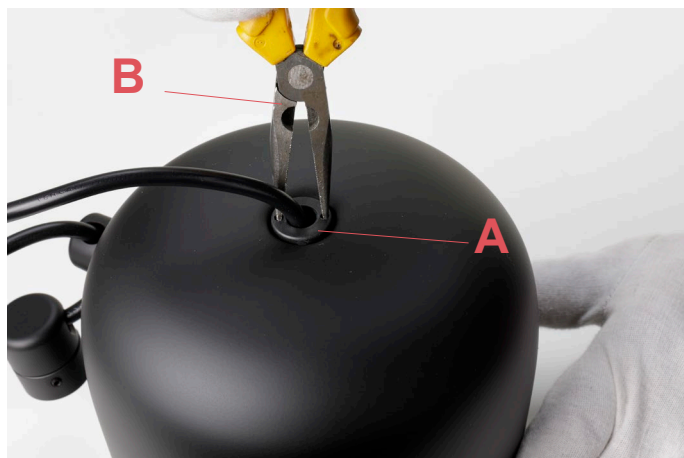


Fig.1



Fig.2

Remove the joint (A) by unfastening it with a pair of pliers (B).

WARNING! When installing and whenever acting on the appliance, ensure that the power supply has been switched off.
For the installation of the spare-part, it is necessary to consult a qualified electrician.

AIM SMALL F0095054

EN

RF0095100

SINK/CHIP LED/REFLECTOR ASSEMBLY AIM SMALL

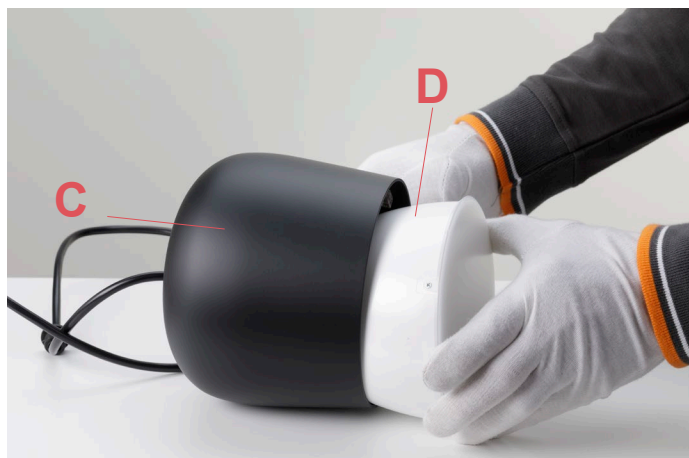


Fig.3

Lift-up the varnished body (C) from the internal body (D).

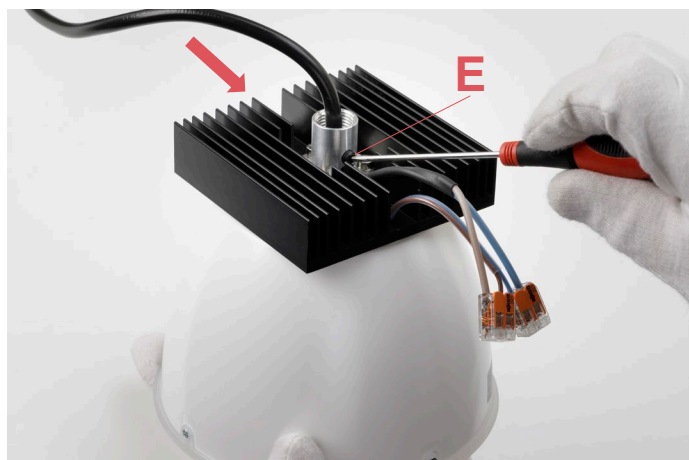


Fig.4

Unscrew the screw (E).

WARNING! When installing and whenever acting on the appliance, ensure that the power supply has been switched off. For the installation of the spare-part, it is necessary to consult a qualified electrician.

AIM SMALL F0095054

EN

RF0095100

SINK/CHIP LED/REFLECTOR ASSEMBLY AIM SMALL

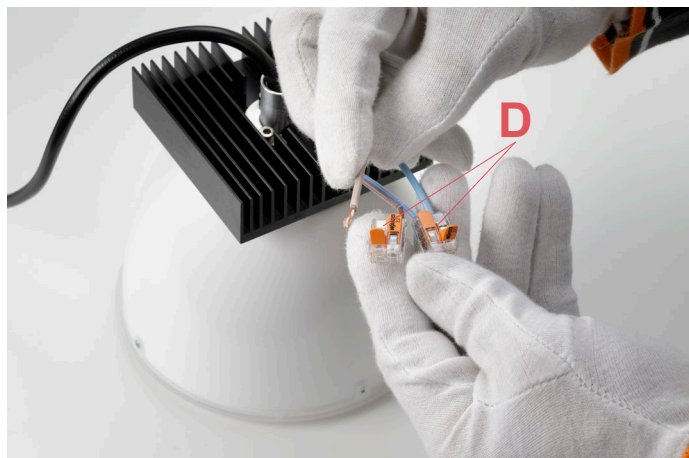


Fig.5

Disconnect the cables from the clamps (F).



Fig.6

Loosen the electrical cable from the sink.

WARNING! When installing and whenever acting on the appliance, ensure that the power supply has been switched off. For the installation of the spare-part, it is necessary to consult a qualified electrician.

AIM SMALL F0095054

EN

RF0095100

SINK/CHIP LED/REFLECTOR ASSEMBLY AIM SMALL



Fig.7

Unscrew the 4 screws (G) from the white reflector.



Fig.8

Remove the diffuser.

WARNING! When installing and whenever acting on the appliance, ensure that the power supply has been switched off.
For the installation of the spare-part, it is necessary to consult a qualified electrician.

AIM SMALL F0095054

EN

RF0095100

SINK/CHIP LED/REFLECTOR ASSEMBLY AIM SMALL



Fig.9

Screw the 4 screws (G) to the white reflector.

NOTE!

Do not screw so fast!!!



Fig.10

Insert the electrical cable in the sink.

WARNING! When installing and whenever acting on the appliance, ensure that the power supply has been switched off.
For the installation of the spare-part, it is necessary to consult a qualified electrician.

AIM SMALL F0095054

EN

RF0095100

SINK/CHIP LED/REFLECTOR ASSEMBLY AIM SMALL

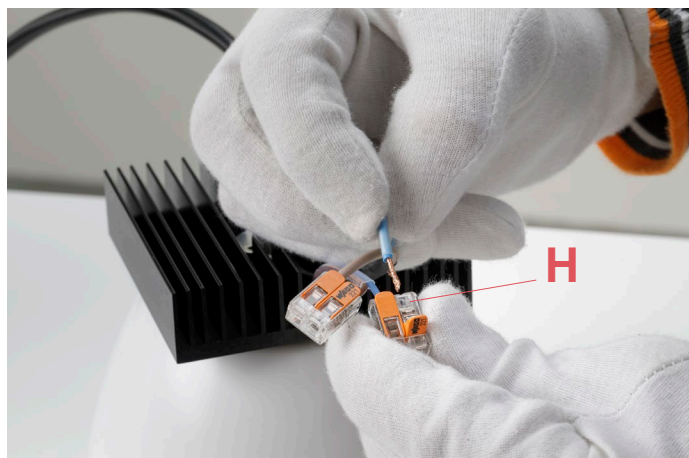


Fig.1 1

Connect the cables to the new clamps (H).

NOTE!

Respect the polarity of the cables.

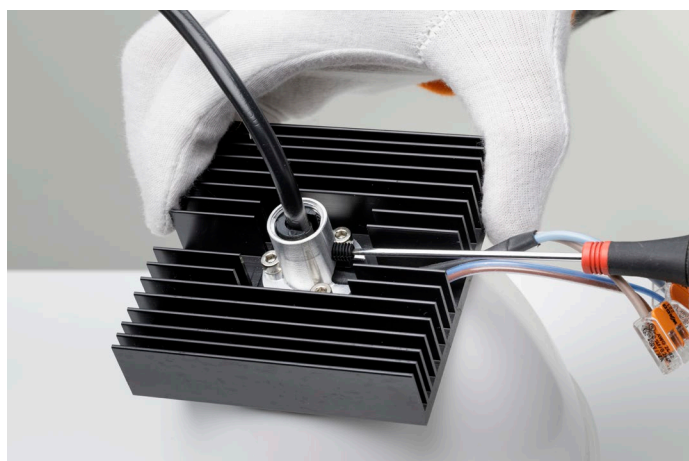


Fig.12

Screw the screw to fix the electrical cable.

WARNING! When installing and whenever acting on the appliance, ensure that the power supply has been switched off.
For the installation of the spare-part, it is necessary to consult a qualified electrician.

AIM SMALL F0095054

EN

RF0095100

SINK/CHIP LED/REFLECTOR ASSEMBLY AIM SMALL



Fig.13

Insert the new internal body (D) in the varnished body (C).



Fig.14

Re-assemble the Joint (A).
Screw the joint (A) with a pair of pliers (B).(Fig.1 page 13)

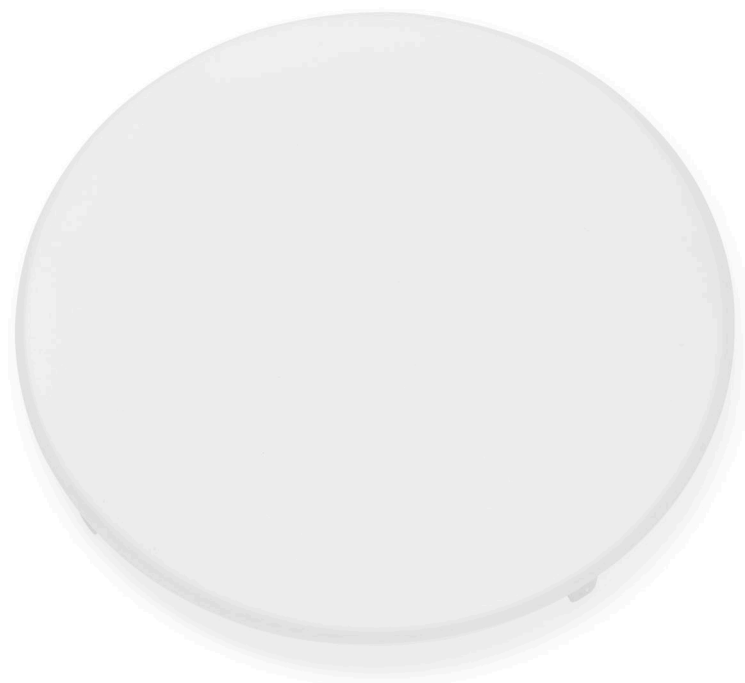
WARNING! When installing and whenever acting on the appliance, ensure that the power supply has been switched off.
For the installation of the spare-part, it is necessary to consult a qualified electrician.

AIM SMALL F0095054

EN

RF0095500

AIM SMALL OPAL DIFFUSER



WARNING! When installing and whenever acting on the appliance, ensure that the power supply has been switched off.
For the installation of the spare-part, it is necessary to consult a qualified electrician.

©2021 Flos - All rights reserved - www.flos.com
Flos reserves the right to introduce any changes to its own models, without prior notice.

AIM SMALL F0095054

EN

RF0095500

AIM SMALL OPAL DIFFUSER

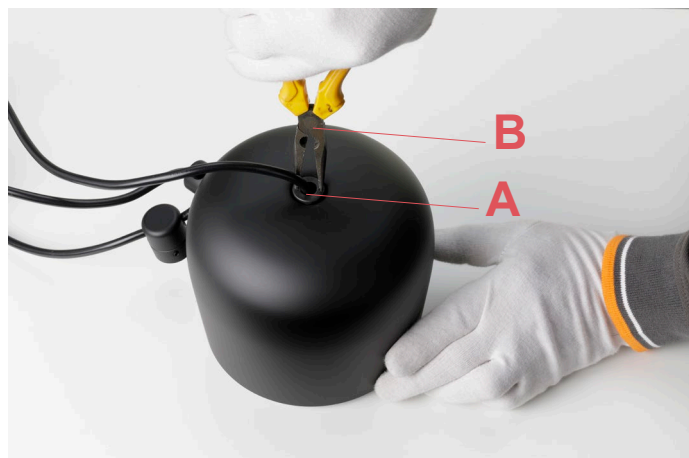


Fig.1



Fig.2

Remove the joint (A) by unfastening it with a pair of pliers (B).

WARNING! When installing and whenever acting on the appliance, ensure that the power supply has been switched off. For the installation of the spare-part, it is necessary to consult a qualified electrician.

AIM SMALL F0095054

EN

RF0095500

AIM SMALL OPAL DIFFUSER



Fig.3

Lift-up the varnished body (C) from the internal body (D).



Fig.4

Unscrew the 3 screws (G) from the white reflector.

WARNING! When installing and whenever acting on the appliance, ensure that the power supply has been switched off. For the installation of the spare-part, it is necessary to consult a qualified electrician.

AIM SMALL F0095054

EN

RF0095500

AIM SMALL OPAL DIFFUSER



Fig.5

Remove the diffuser.

NOTE!

Do not screw so fast!!!



Fig.6

Insert the new internal body (D) in the varnished body (C).(Fig.3 page 22)

Re-assemble the Joint (A).(Fig.1 page 21)

Screw the joint (A) with a pair of pliers (B).(Fig.1 page 21)

WARNING! When installing and whenever acting on the appliance, ensure that the power supply has been switched off.
For the installation of the spare-part, it is necessary to consult a qualified electrician.