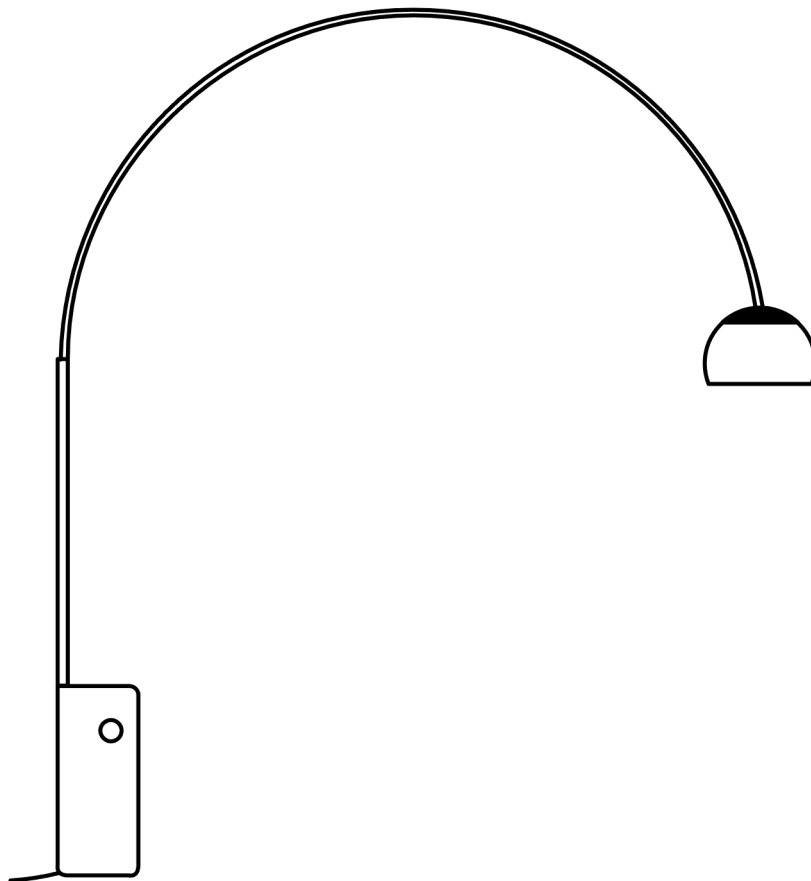


ARCO

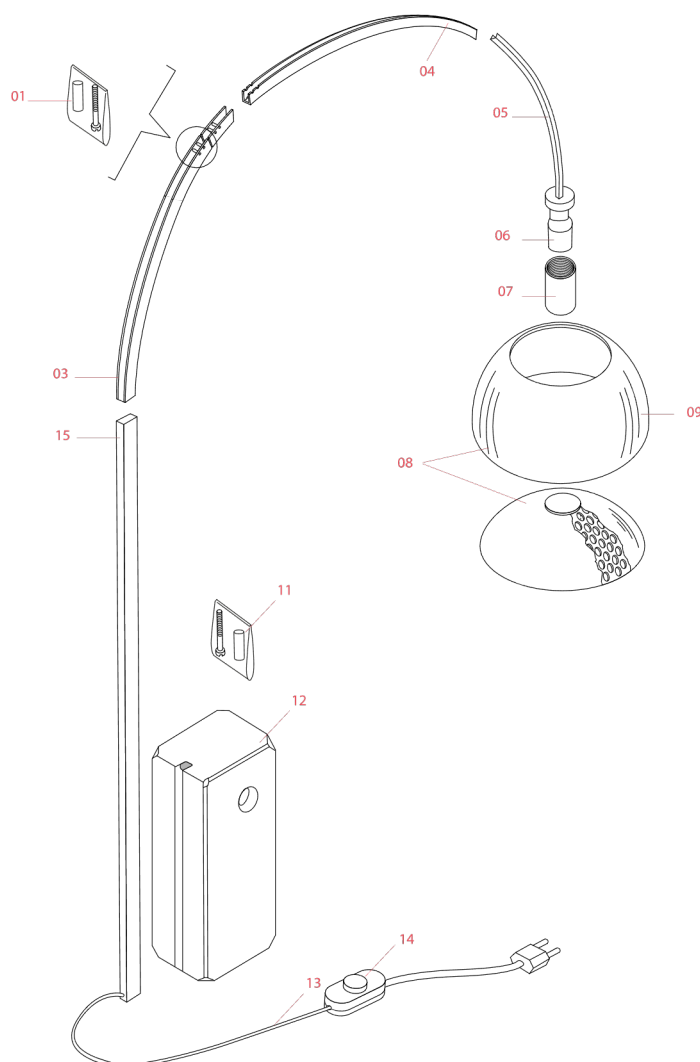
Designed by Achille & Pier Giacomo Castiglioni, 1962

F0300000



ARCO F0300000

EN



- 01. RF0300200 – Screw rolls unitd for inox channel
- 02. F0330000 – Stem, channels and electrical mounting with On/Off switch
- 03. RF02970 – Long inox channel
- 04. RF02971 – Medium inox channel
- 05. RF02972 – Short inox channel with lamp holder integrated
- 06. RF0300300 – Lamp holder with joint
- 07. RF02593 – Anodized sleeve
- 08. F0320000 – Reflector and grid
- 09. RF00797 – Polished reflector
- 10. RF01411 – Polished grid
- 11. RF0300100 – Fixing screw with joint
- 12. F0310000 – Marble base
- 13. RF04724 – Electric wiring assembly with On/Off switch
- 14. RF04392 – Black D/661 On/Off switch
- 15. RF21041 – Vertical inox stem

ARCO F0300000

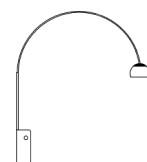
EN

RF0300200

PINS AND SCREW SET



Arco
p.03



Arco
Led
p.32

WARNING! When installing and whenever acting on the appliance, ensure that the power supply has been switched off. For the installation of the spare-part, it is necessary to consult a qualified electrician.

ARCO F0300000

EN

RF0300200

PINS AND SCREW SET

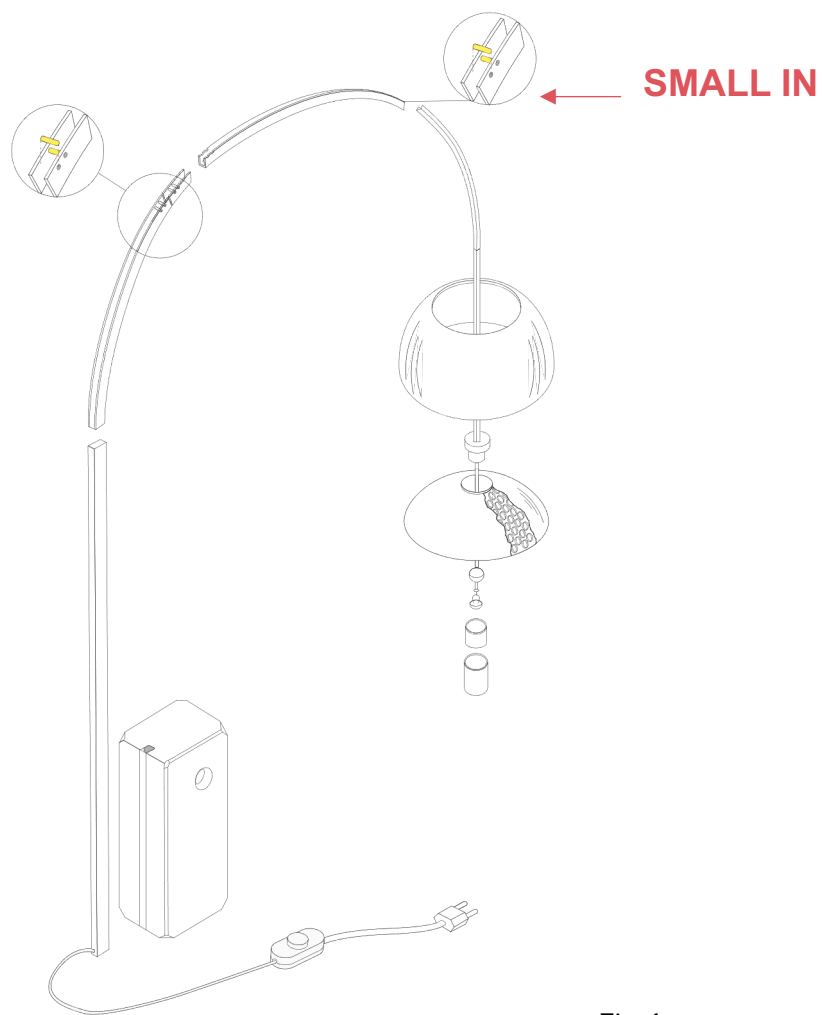


Fig.1

Fix the pins to the channels through there apposite screws.

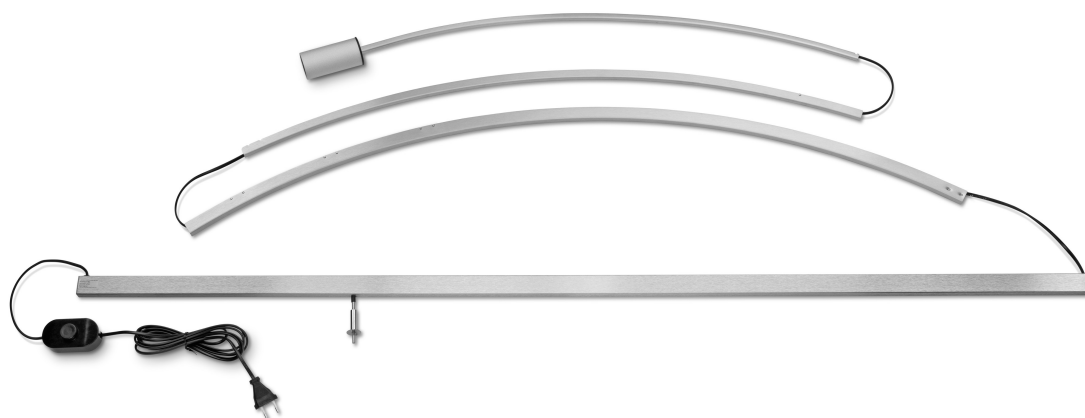
WARNING! When installing and whenever acting on the appliance, ensure that the power supply has been switched off. For the installation of the spare-part, it is necessary to consult a qualified electrician.

ARCO F0300000

EN

F0330000

STEM AND CHANNELS ENEC ASSEMBLY WITH ON/OFF SWITCH



WARNING! When installing and whenever acting on the appliance, ensure that the power supply has been switched off.
For the installation of the spare-part, it is necessary to consult a qualified electrician.

ARCO F0300000

EN

F0330000

STEM AND CHANNELS ENEC ASSEMBLY WITH ON/OFF SWITCH

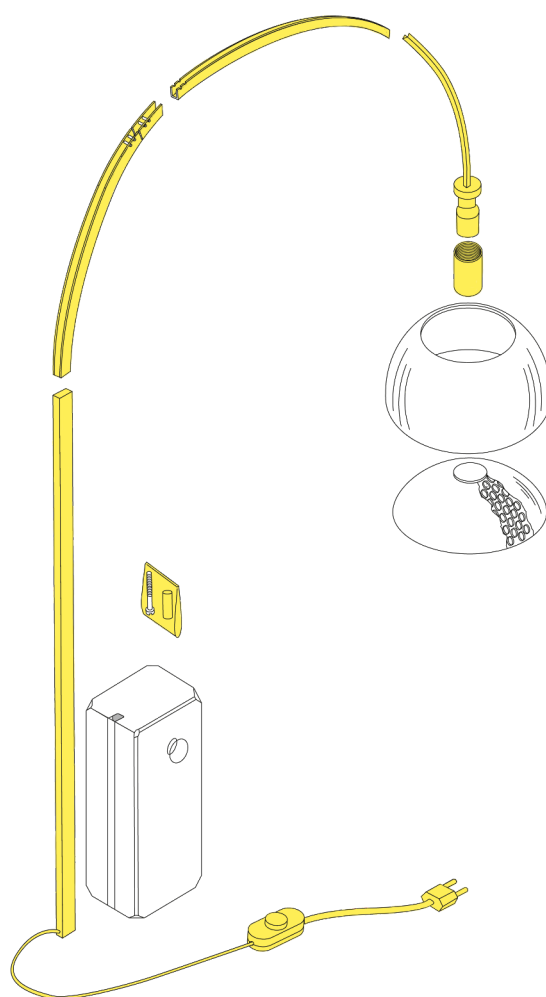


Fig.1

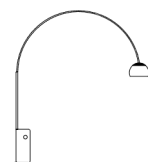
WARNING! When installing and whenever acting on the appliance, ensure that the power supply has been switched off. For the installation of the spare-part, it is necessary to consult a qualified electrician.

ARCO F0300000

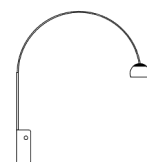
EN

RF02970

LONG INOX CHANNEL



Arco
p.07



Arco
Led
p.26

WARNING! When installing and whenever acting on the appliance, ensure that the power supply has been switched off.
For the installation of the spare-part, it is necessary to consult a qualified electrician.

ARCO F0300000

EN

RF02970

LONG INOX CHANNEL

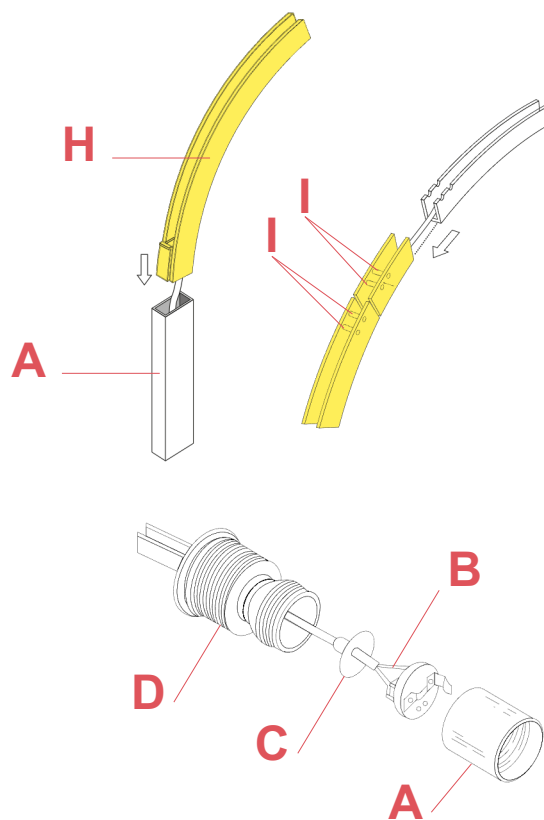


Fig.1

Disconnect the wires from the lamp holder and slide-back the electrical cable through the channels before carrying-out the following operation.

Insert the large channel (H) into the rod (A); Hook the small and medium channels onto the pins (I) depending on the position required.

Insert the electrical cable by sliding the cable through the channels.

The electrical supply cable must be laid carefully along the bottom of the channels;

CAREFUL!!! Do not tear/mark the isolation of electrical cable.

Connect the electrical wires to the lampfitting terminals (Refer to the image of the lamp holder connection). Unscrew the lamp holder (A) and connect the cables to the fitting (B), ensure to insert the cable through the hole of the insulator (C).

REMARK!!! Make sure that the Neutral wire (the blue one) corresponds with the lamp holder's lateral connection; the Live wire (the brown one) needs to correspond with the lamp holder central connection.

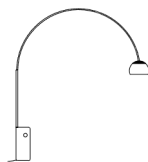
WARNING! When installing and whenever acting on the appliance, ensure that the power supply has been switched off.
For the installation of the spare-part, it is necessary to consult a qualified electrician.

ARCO F0300000

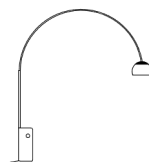
EN

RF02971

MEDIUM INOX CHANNEL



Arco
p.09



Arco
Led
p.34

WARNING! When installing and whenever acting on the appliance, ensure that the power supply has been switched off.
For the installation of the spare-part, it is necessary to consult a qualified electrician.

ARCO F0300000

EN

RF02971

MEDIUM INOX CHANNEL

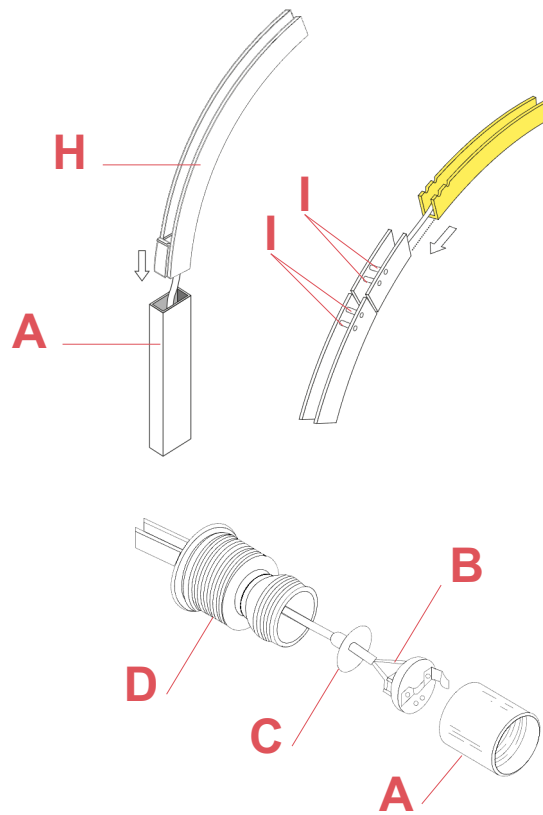


Fig.1

Disconnect the wires from the lamp holder and slide-back the electrical cable through the channels before carrying-out the following operation.

Insert the large channel (H) into the rod (A); Hook the small and medium channels onto the pins (I) depending on the position required.

Insert the electrical cable by sliding the cable through the channels.

The electrical supply cable must be laid carefully along the bottom of the channels;

CAREFUL!!! Do not tear/mark the isolation of electrical cable.

Connect the electrical wires to the lampfitting terminals (Refer to the image of the lamp holder connection). Unscrew the lamp holder (A) and connect the cables to the fitting (B), ensure to insert the cable through the hole of the insulator (C).

REMARK!!! Make sure that the Neutral wire (the blue one) corresponds with the lamp holder's lateral connection; the Live wire (the brown one) needs to correspond with the lamp holder central connection.

WARNING! When installing and whenever acting on the appliance, ensure that the power supply has been switched off. For the installation of the spare-part, it is necessary to consult a qualified electrician.

ARCO F0300000

EN

RF02972

SMALL INOX CHANNEL WITH LAMP HOLDER INTEGRATED



WARNING! When installing and whenever acting on the appliance, ensure that the power supply has been switched off.
For the installation of the spare-part, it is necessary to consult a qualified electrician.

©2021 Flos - All rights reserved - www.flos.com
Flos reserves the right to introduce any changes to its own models, without prior notice.

ARCO F0300000

EN

RF02972

SMALL INOX CHANNEL WITH LAMP HOLDER INTEGRATED

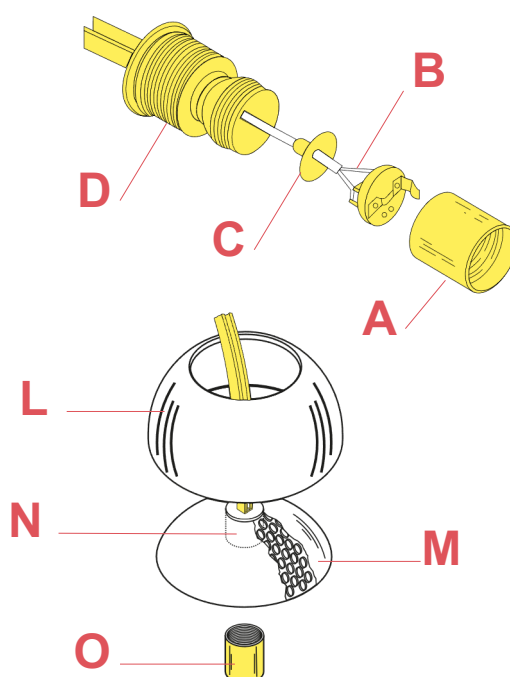


Fig.1

CAREFUL!!! Do not tear/mark the isolation of electrical cable when carrying-out the following operation.

Unscrew the lamp holder (A) and connect the cables to the fitting (B), ensure to insert the cable through the hole of the insulator (C).

REMARK!!! Make sure that the Neutral wire (the blue one) corresponds with the lamp holder's lateral connection; the Live wire (the brown one) needs to correspond with the lamp holder central connection.

Lock the reflector (L) and grid (M), by screwing the sleeve (O) to the lamp holder (N).

WARNING! When installing and whenever acting on the appliance, ensure that the power supply has been switched off.
For the installation of the spare-part, it is necessary to consult a qualified electrician.

ARCO F0300000

EN

RF0300300

LAMP HOLDER WITH JOINT



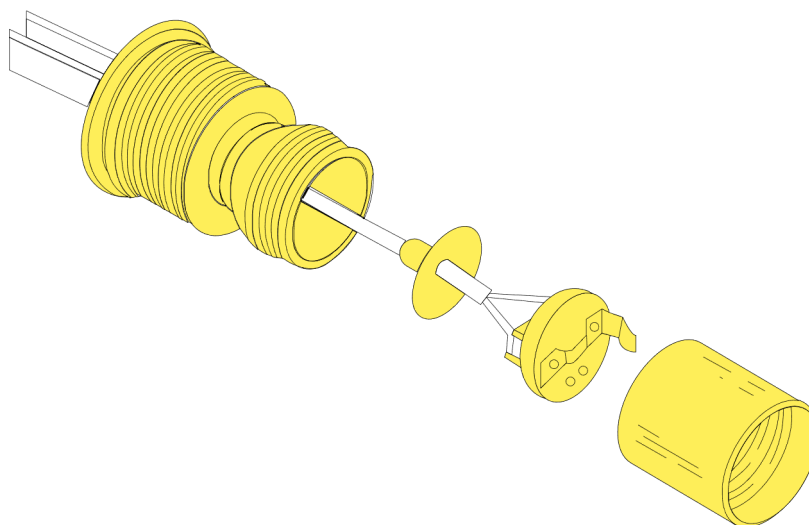
WARNING! When installing and whenever acting on the appliance, ensure that the power supply has been switched off.
For the installation of the spare-part, it is necessary to consult a qualified electrician.

ARCO F0300000

EN

RF0300300

LAMP HOLDER WITH JOINT



Assemble the joint (D) to the small channel by locking the joint through the lateral screw. Unscrew the lamp holder (A) and connect the cables to the fitting (B), ensure to insert the cable through the hole of the insulator (C).

REMARK!!! Make sure that the Neutral wire (the blue one) corresponds with the lamp holder's lateral connection; the Live wire (the brown one) needs to correspond with the lamp holder central connection.

WARNING! When installing and whenever acting on the appliance, ensure that the power supply has been switched off. For the installation of the spare-part, it is necessary to consult a qualified electrician.

ARCO F0300000

EN

RF02593

ANODIZED SLEEVE



WARNING! When installing and whenever acting on the appliance, ensure that the power supply has been switched off.
For the installation of the spare-part, it is necessary to consult a qualified electrician.

©2021 Flos - All rights reserved - www.flos.com
Flos reserves the right to introduce any changes to its own models, without prior notice.

ARCO F0300000

EN

RF02593

ANODIZED SLEEVE

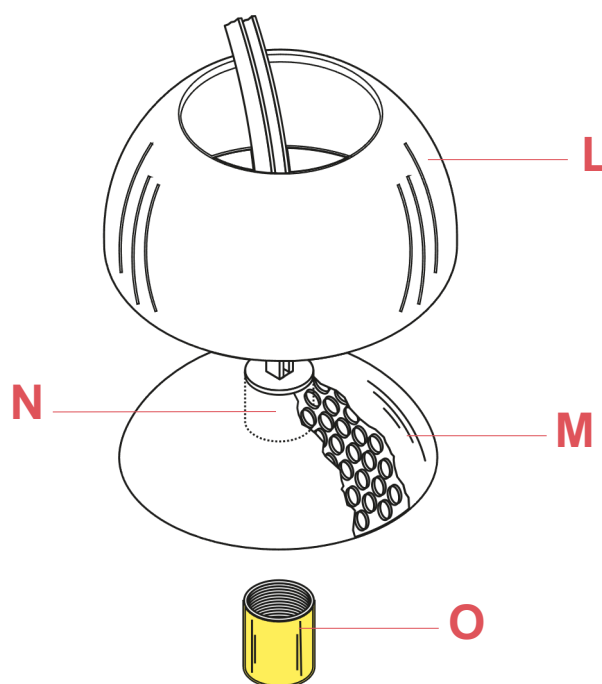


Fig.1

Lock the reflector (L) and grid (M), by screwing the sleeve (O) to the lamp holder (N).

WARNING! When installing and whenever acting on the appliance, ensure that the power supply has been switched off. For the installation of the spare-part, it is necessary to consult a qualified electrician.

ARCO F0300000

EN

F0320000

ENEC REFLECTOR AND GRID



WARNING! When installing and whenever acting on the appliance, ensure that the power supply has been switched off.
For the installation of the spare-part, it is necessary to consult a qualified electrician.

©2021 Flos - All rights reserved - www.flos.com
Flos reserves the right to introduce any changes to its own models, without prior notice.

ARCO F0300000

EN

F0320000

ENECE REFLECTOR AND GRID

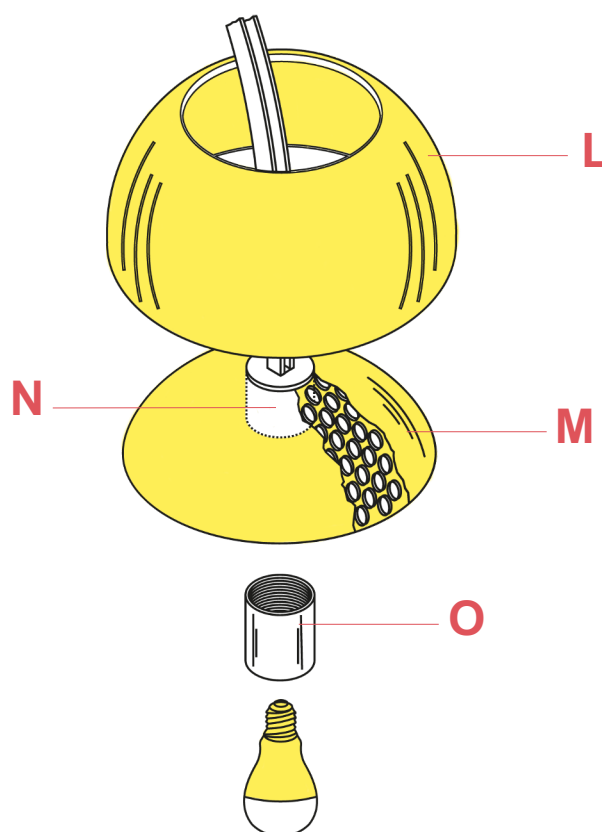


Fig.1

Lock the reflector (L) and grid (M), by screwing the sleeve (O) to the lamp holder (N).

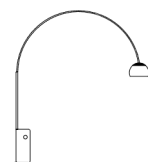
WARNING! When installing and whenever acting on the appliance, ensure that the power supply has been switched off. For the installation of the spare-part, it is necessary to consult a qualified electrician.

ARCO F0300000

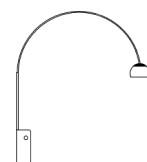
EN

RF00797

POLISHED REFLECTOR



Arco
p.19



Arco
Led
p.39

WARNING! When installing and whenever acting on the appliance, ensure that the power supply has been switched off.
For the installation of the spare-part, it is necessary to consult a qualified electrician.

ARCO F0300000

EN

RF00797

POLISHED REFLECTOR

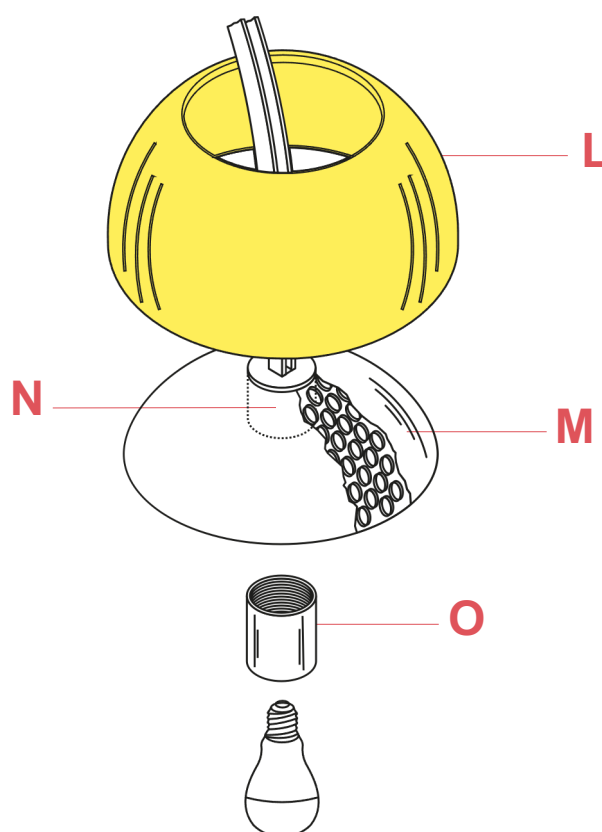


Fig.1

Lock the reflector (L) and grid (M), by screwing the sleeve (O) to the lamp holder (N).

WARNING! When installing and whenever acting on the appliance, ensure that the power supply has been switched off.
For the installation of the spare-part, it is necessary to consult a qualified electrician.

ARCO F0300000

EN

RF01411

POLISHED GRID



WARNING! When installing and whenever acting on the appliance, ensure that the power supply has been switched off.
For the installation of the spare-part, it is necessary to consult a qualified electrician.

©2021 Flos - All rights reserved - www.flos.com
Flos reserves the right to introduce any changes to its own models, without prior notice.

ARCO F0300000

EN

RF01411

POLISHED GRID

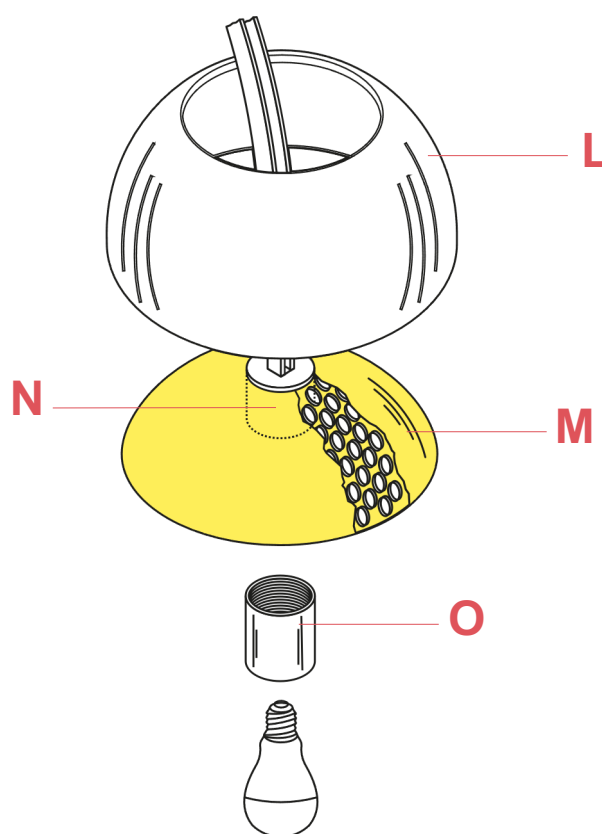


Fig.1

Lock the reflector (L) and grid (M), by screwing the sleeve (O) to the lamp holder (N).

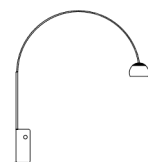
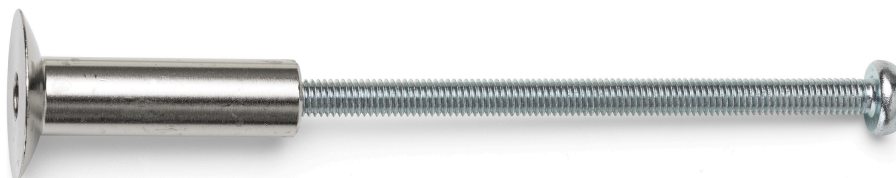
WARNING! When installing and whenever acting on the appliance, ensure that the power supply has been switched off.
For the installation of the spare-part, it is necessary to consult a qualified electrician.

ARCO F0300000

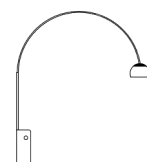
EN

RF0300100

FIXING SCREW WITH JOINT



Arco
p.23



Arco
Led
p.17

WARNING! When installing and whenever acting on the appliance, ensure that the power supply has been switched off.
For the installation of the spare-part, it is necessary to consult a qualified electrician.

ARCO F0300000

EN

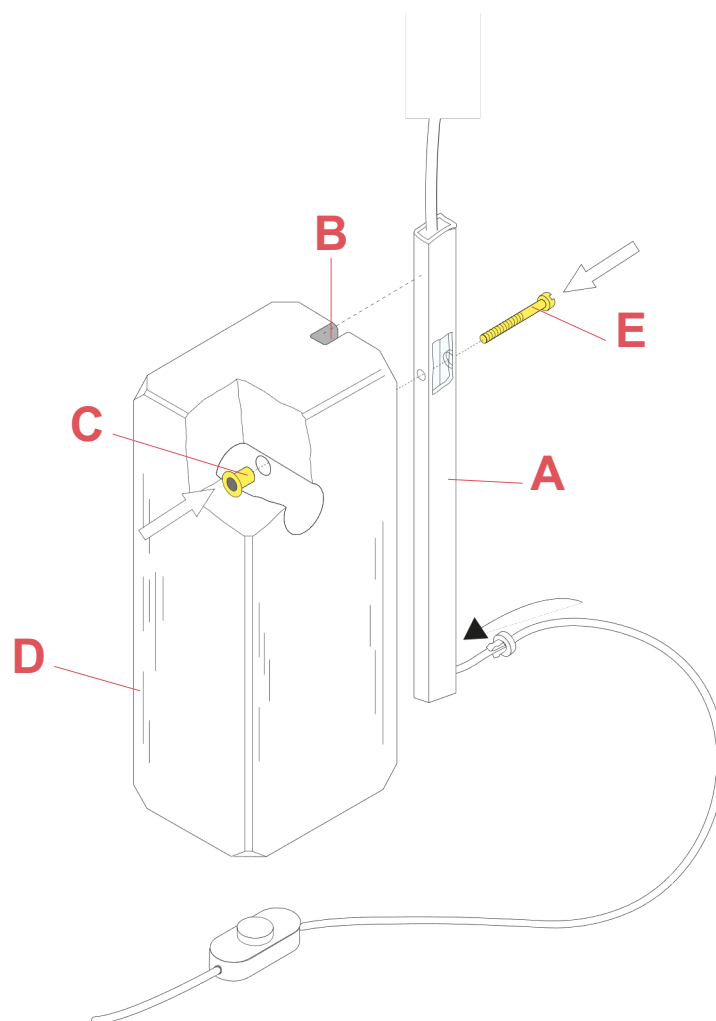
RF0300100
FIXING SCREW WITH JOINT

Fig.1

Position the channel (A) in the housing (B); insert the joint (C) into the hole in the base (D); fix the channel (A) to the base (D) with the screw (E) being careful not to tear/mark the cable with the head of the screw.

WARNING! When installing and whenever acting on the appliance, ensure that the power supply has been switched off. For the installation of the spare-part, it is necessary to consult a qualified electrician.

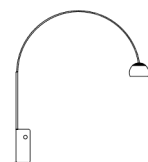
©2021 Flos - All rights reserved - www.flos.com
Flos reserves the right to introduce any changes to its own models, without prior notice.

ARCO F0300000

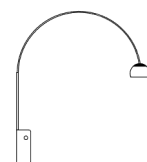
EN

F0310000

MARBLE BASE



Arco
p.25



Arco
Led
p.15

WARNING! When installing and whenever acting on the appliance, ensure that the power supply has been switched off.
For the installation of the spare-part, it is necessary to consult a qualified electrician.

ARCO F0300000

EN

F0310000

MARBLE BASE

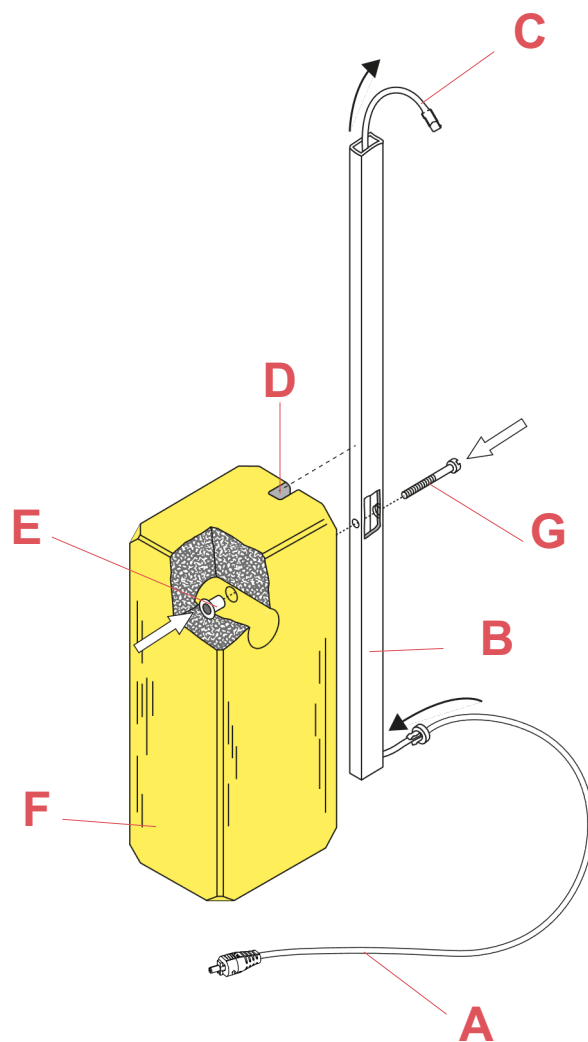


Fig.1

Position the channel (A) in the housing (B); insert the joint (C) into the hole in the base (D); fix the channel (A) to the base (D) with the screw (E) being careful not to tear/mark the cable with the head of the screw.

WARNING! When installing and whenever acting on the appliance, ensure that the power supply has been switched off. For the installation of the spare-part, it is necessary to consult a qualified electrician.

ARCO F0300000

EN

RF04724

ELECTRICAL WIRING ASSEMBLY WITH ON-OFF SWITCH



WARNING! When installing and whenever acting on the appliance, ensure that the power supply has been switched off.
For the installation of the spare-part, it is necessary to consult a qualified electrician.

©2021 Flos - All rights reserved - www.flos.com
Flos reserves the right to introduce any changes to its own models, without prior notice.

ARCO F0300000

EN

RF04724

ELECTRICAL WIRING ASSEMBLY WITH ON-OFF SWITCH

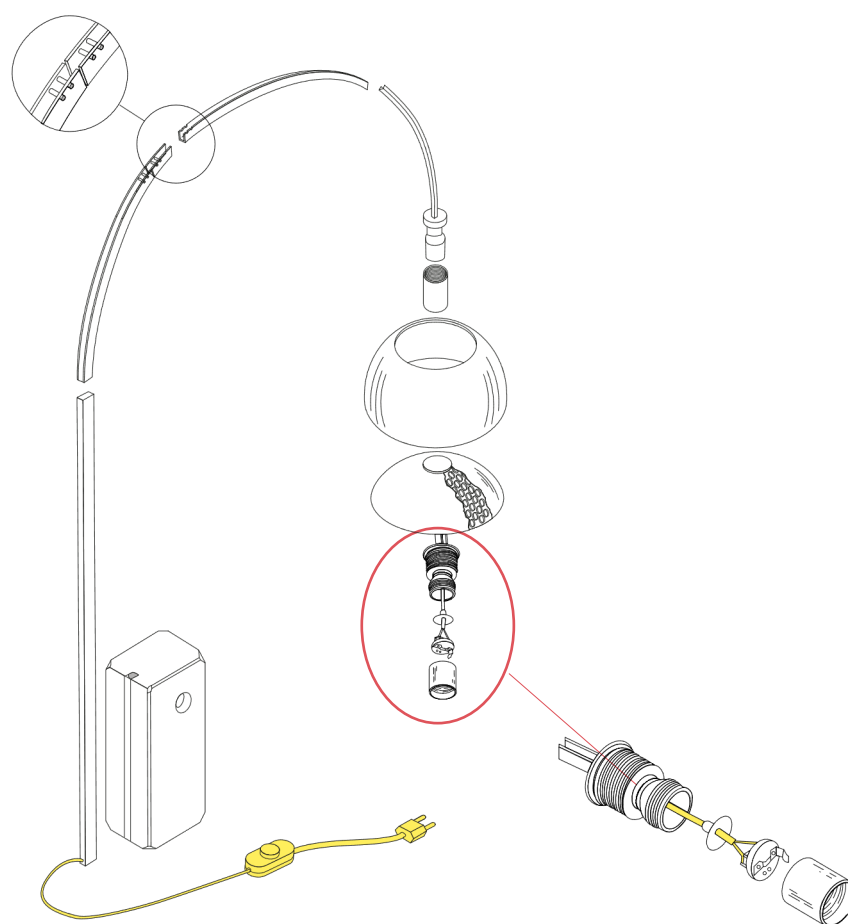


Fig.1

Remove the grid-reflector assembly.
Insert the electrical cable by sliding it through the stem and channels.
CAREFUL!!! Do not tear/mark the isolation of electrical cable.
Connect the electrical wires to the lamp-fitting terminals.
Re-assemble the grid-reflector assembly by locking the assembly through the anodized sleeve.

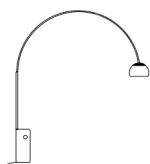
WARNING! When installing and whenever acting on the appliance, ensure that the power supply has been switched off.
For the installation of the spare-part, it is necessary to consult a qualified electrician.

ARCO F0300000

EN

RF04392

BLACK D/661 ON-OFF SWITCH



Arco
p.29



Luminator
p.05

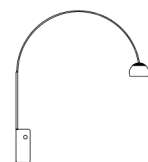
WARNING! When installing and whenever acting on the appliance, ensure that the power supply has been switched off.
For the installation of the spare-part, it is necessary to consult a qualified electrician.

ARCO F0300000

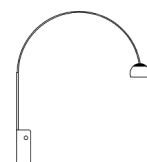
EN

RF21041

INOX STEM



Arco
p.30



Arco
Led
p.19

WARNING! When installing and whenever acting on the appliance, ensure that the power supply has been switched off.
For the installation of the spare-part, it is necessary to consult a qualified electrician.

ARCO F0300000

EN

RF21041

INOX STEM

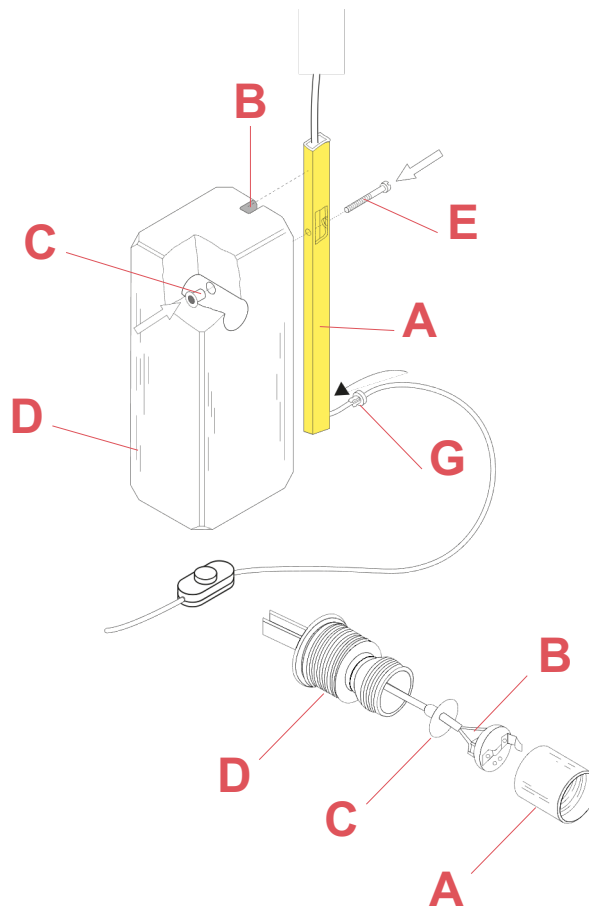


Fig.1

Disconnect the wires from the lamp holder and slide-back the electrical cable through the channels and stem before carrying-out the following operation.

Position the channel (A) in the housing (B); insert the joint (C) into the hole in the base (D); fix the channel (A) to the base (D) with the screw (E).

Insert the electrical cable by sliding the cable through the stem and channels.

CAREFUL!!! Do not tear/mark the isolation of electrical cable.

Connect the electrical wires to the lampfitting terminals (Refer to the image of the lamp holder connection). Unscrew the lamp holder (A) and connect the cables to the fitting (B), ensure to insert the cable through the hole of the insulator (C).

REMARK!!! Make sure that the Neutral wire (the blue one) corresponds with the lamp holder's lateral connection; the Live wire (the brown one) needs to correspond with the lamp holder central connection.

WARNING! When installing and whenever acting on the appliance, ensure that the power supply has been switched off. For the installation of the spare-part, it is necessary to consult a qualified electrician.