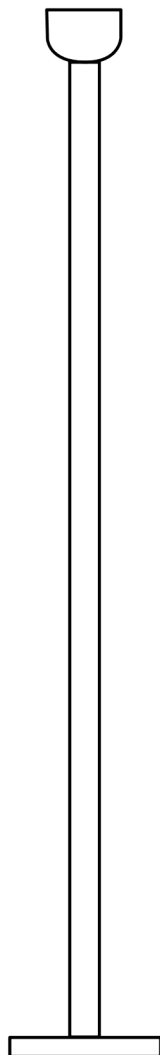


BELLHOP F

Designed by E. Barber & J. Osgerby, 2021

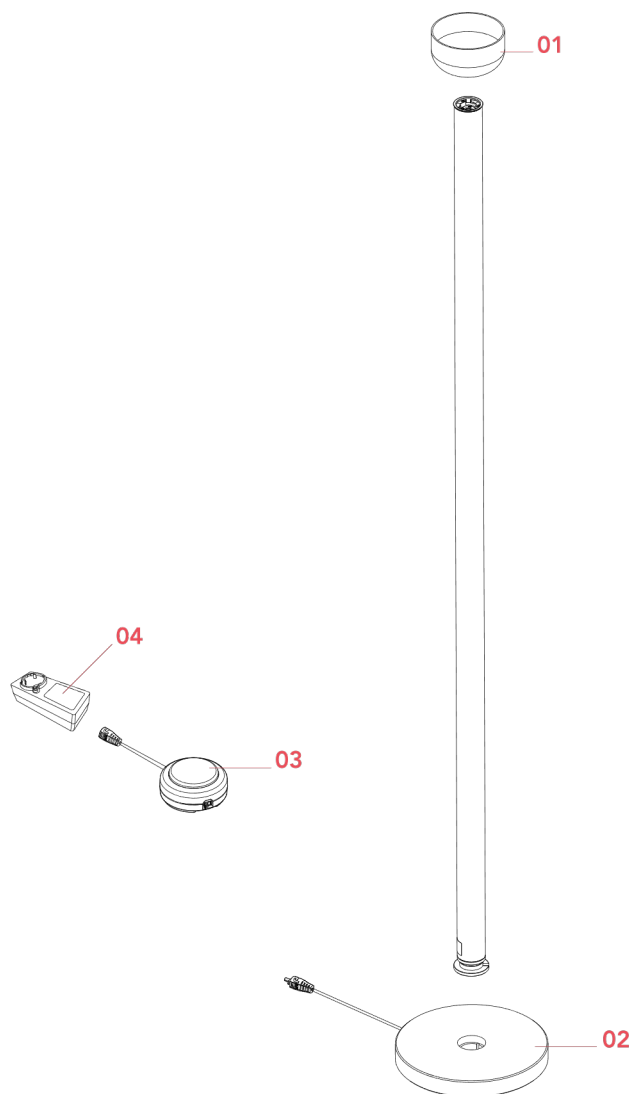
F1070075



BELLHOP F

F1070075

EN



- 01. F1073009B – White reflector
- 02. F1072009B – Bellhop F base
- 03. RF30216 – Switch dimmer assembly 700 mA
- 04. RF3320400 – 48V Power supply unit with plug kit

BELLHOP F F1070075

EN

F1073009B

WHITE REFLECTOR



WARNING! When installing and whenever acting on the appliance, ensure that the power supply has been switched off.
For the installation of the spare-part, it is necessary to consult a qualified electrician.

BELLHOP F F1070075

EN

F1073009B

WHITE REFLECTOR

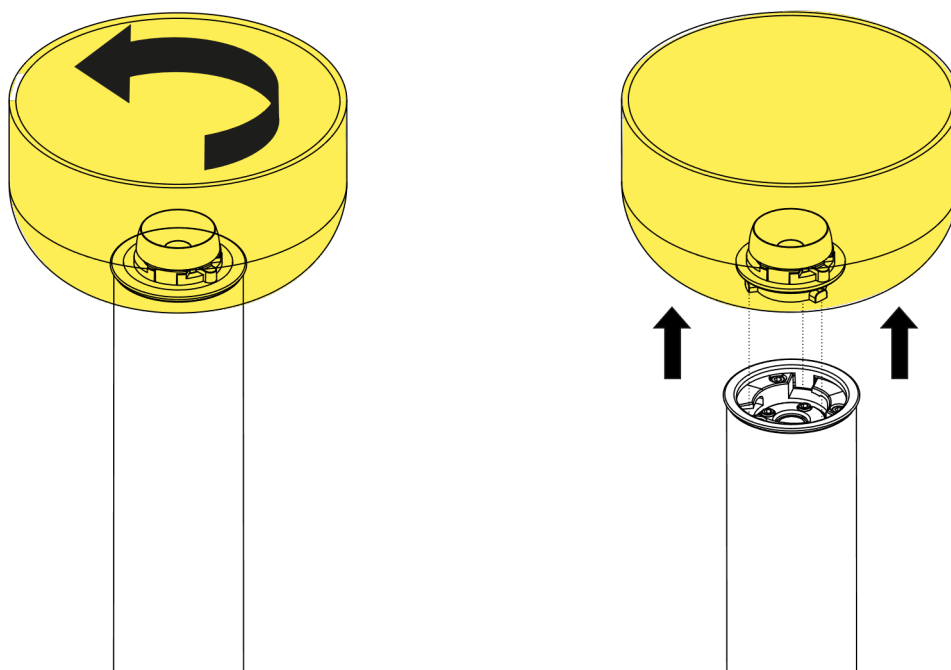


Fig.1

Remove the old reflector from the body lamp.
Assemble now the new spare parts.

WARNING! When installing and whenever acting on the appliance, ensure that the power supply has been switched off.
For the installation of the spare-part, it is necessary to consult a qualified electrician.

©2021 Flos - All rights reserved - www.flos.com
Flos reserves the right to introduce any changes to its own models, without prior notice.

BELLHOP F F1070075

EN

F1072009B

BASE



WARNING! When installing and whenever acting on the appliance, ensure that the power supply has been switched off.
For the installation of the spare-part, it is necessary to consult a qualified electrician.

BELLHOP F F1070075

EN

F1072009B

BASE

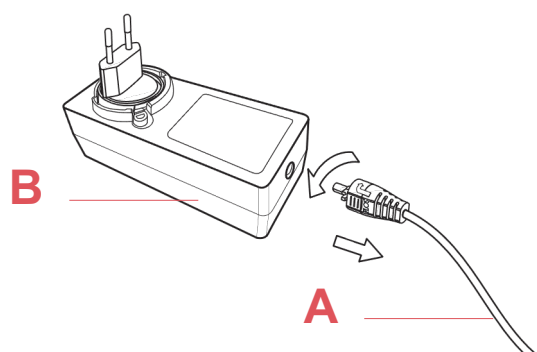


Fig.1

Remove the plug (A) from the power unit (B).

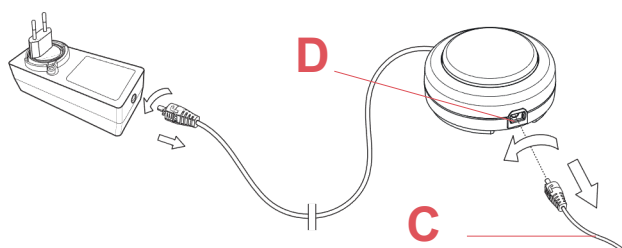


Fig.2

Disconnect the plug (C) to the push button (D).

WARNING! When installing and whenever acting on the appliance, ensure that the power supply has been switched off. For the installation of the spare-part, it is necessary to consult a qualified electrician.

BELLHOP F F1070075

EN

F1072009B

BASE

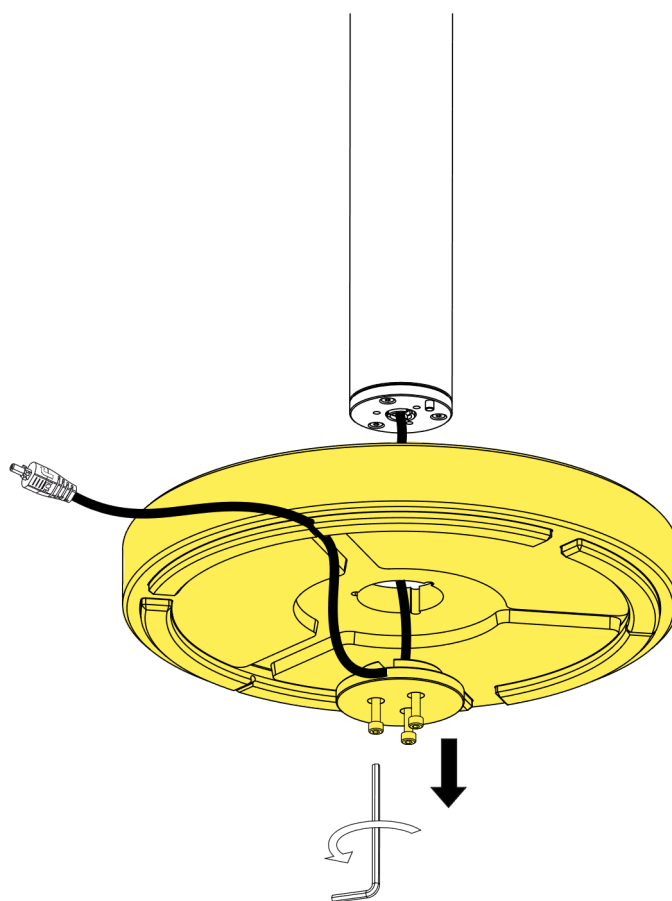


Fig.3

Unfasten the three screws under the old base (E). Disconnect it (F) from the body lamp (G).

Assemble now the new spare parts.

Install the new base to the body lamp and fast the screw under it.

Connect the plug to the push button switch locking it by turning it 90° clockwise.
(Fig.2)

Insert the plug into the power unit. (Fig.1)

WARNING! When installing and whenever acting on the appliance, ensure that the power supply has been switched off.
For the installation of the spare-part, it is necessary to consult a qualified electrician.

BELLHOP F F1070075

EN

RF30216

SWITCH DIMMER ASSEMBLY 700MA



WARNING! When installing and whenever acting on the appliance, ensure that the power supply has been switched off.
For the installation of the spare-part, it is necessary to consult a qualified electrician.

©2021 Flos - All rights reserved - www.flos.com

Flos reserves the right to introduce any changes to its own models, without prior notice.

BELLHOP F F1070075

EN

RF30216

SWITCH DIMMER ASSEMBLY 700MA

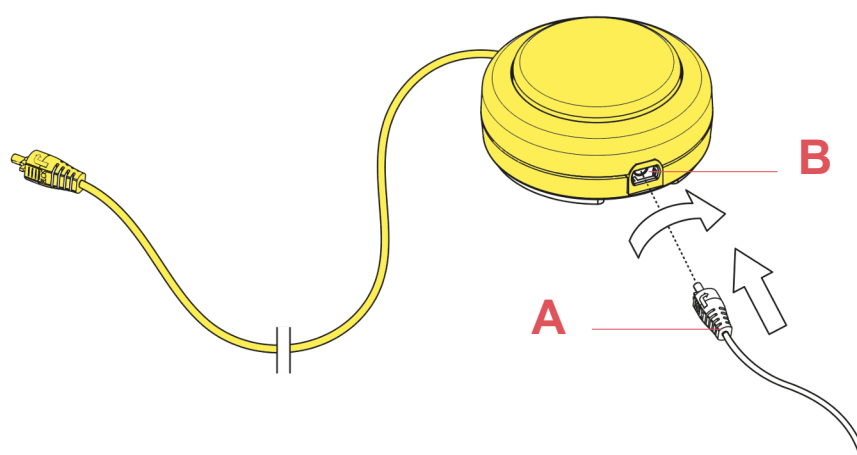


Fig.1

Connect the plug (A) to the push button switch (B) locking it by turning it 90° clockwise.

WARNING! When installing and whenever acting on the appliance, ensure that the power supply has been switched off. For the installation of the spare-part, it is necessary to consult a qualified electrician.

BELLHOP F F1070075

EN

RF30216

SWITCH DIMMER ASSEMBLY 700MA

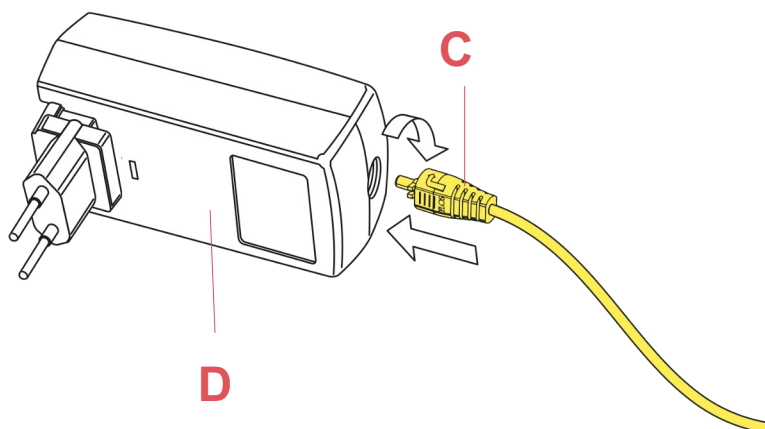


Fig.2

Connect the plug (C) to the power unit (D) locking it in by rotating it 90° clockwise.

WARNING! When installing and whenever acting on the appliance, ensure that the power supply has been switched off. For the installation of the spare-part, it is necessary to consult a qualified electrician.

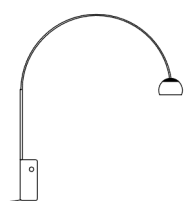
©2021 Flos - All rights reserved - www.flos.com
Flos reserves the right to introduce any changes to its own models, without prior notice.

BELLHOP F F1070075

EN

RF3320400

POWER SUPPLY UNIT WITH PLUG KIT



Arco Led
p.03



Bellhop
F
p.11



Captain
Flint
p.05



Coordinates F
p.14



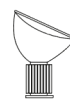
Noctambule
All Floor
Versions
p.15



Sawaru
p.03



Superloon
p.13



Taccia
Led
p.13

WARNING! When installing and whenever acting on the appliance, ensure that the power supply has been switched off. For the installation of the spare-part, it is necessary to consult a qualified electrician.

BELLHOP F F1070075

EN

RF3320400

POWER SUPPLY UNIT WITH PLUG KIT

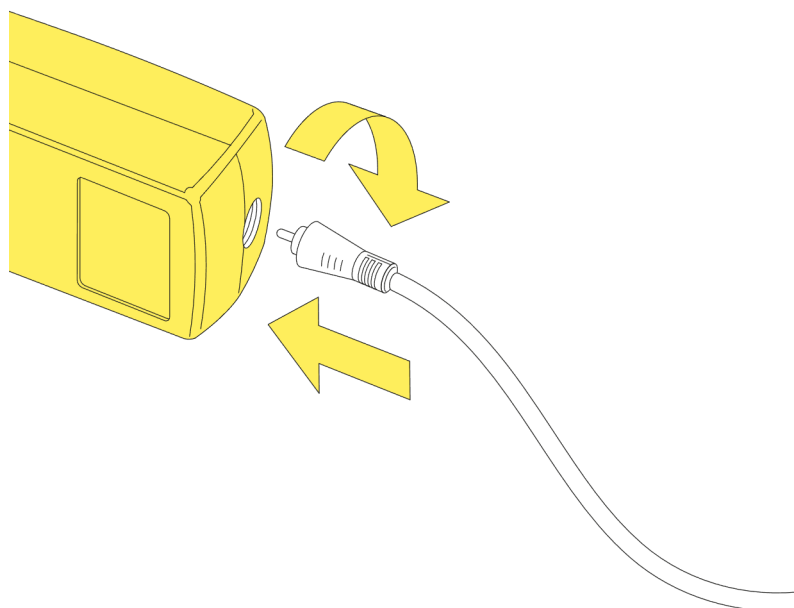


Fig.1

Insert the plug into the power unit. By using the guides, snap the plug inside its apposite slot (use the correct type of plug for the country in which the device must be installed).

WARNING! When installing and whenever acting on the appliance, ensure that the power supply has been switched off. For the installation of the spare-part, it is necessary to consult a qualified electrician.