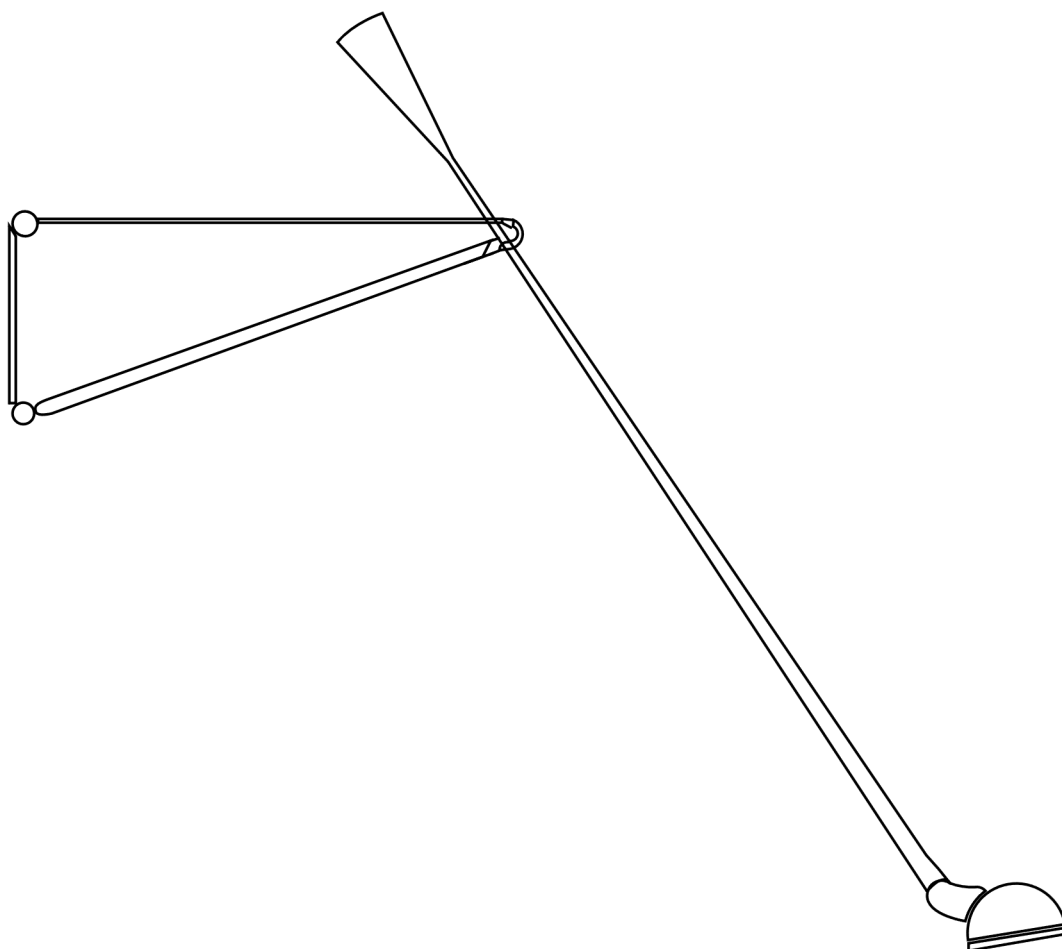


265 CHROMATICA

Designed by Paolo Rizzato, 2021

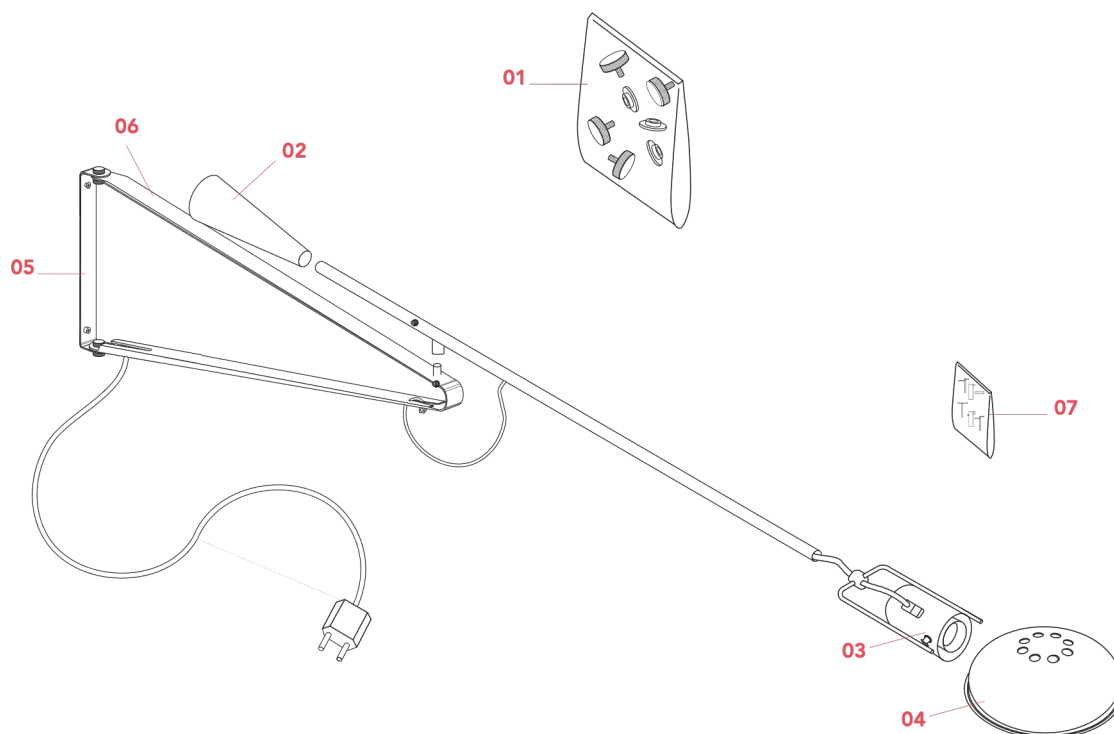
A0300099



265 CHROMATICA

A0300099

EN



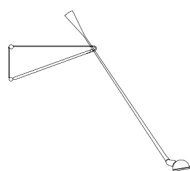
- 01. RA0300200 – Screw kit for wall attachment
- 02. RF31192 – Matt yellow counterweight
- 03. RF31190 – Matt red lamp holder with reflector support assembly
- 04. RF31189 – Matt red reflector
- 05. RF31194 – Matt grey wall attachment
- 06. RF31193 – Matt grey triangle bracket support
- 07. RF11719 – Screws bag group STM3X3 10 pieces

265 CHROMATICA
A0300099

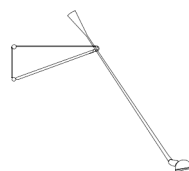
EN

RA0300200

SCREW SET FOR WALL ATTACHMENT



265
p.03



265
Chromatica
p.03

WARNING! When installing and whenever acting on the appliance, ensure that the power supply has been switched off. For the installation of the spare-part, it is necessary to consult a qualified electrician.

265 CHROMATICA
A0300099

EN

RA0300200

SCREW SET FOR WALL ATTACHMENT

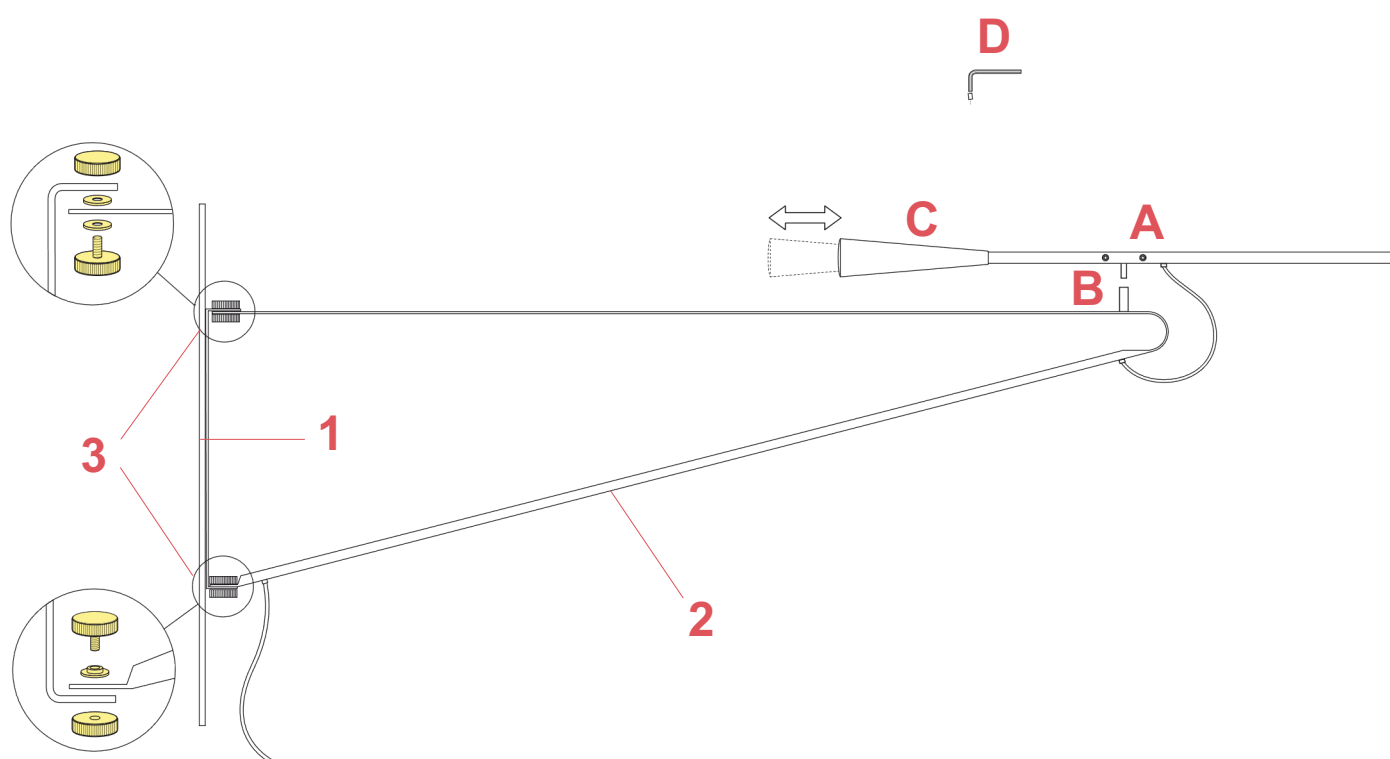


Fig.1

Assemble wall bracket (1) to the wall and lamp support (2) with grained knobs (3) positioning the nylon washers in the indicated order.

Assemble the lamp stem arm to the support (2) by inserting the pin (A) into the sleeve (B).

Once install the lamp-bulb you note that the arm stem is not straight, balance it through the counterweight. When balanced lock the screw (C) by utilizing the key (D).

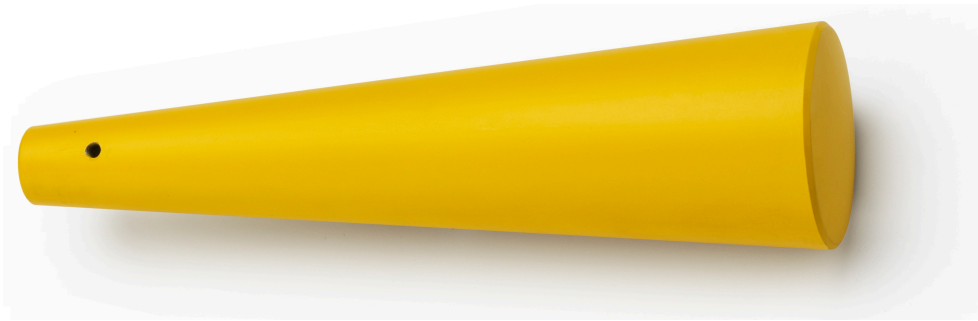
WARNING! When installing and whenever acting on the appliance, ensure that the power supply has been switched off. For the installation of the spare-part, it is necessary to consult a qualified electrician.

265 CHROMATICA
A0300099

EN

RF31192

MATT YELLOW COUNTERWEIGHT



WARNING! When installing and whenever acting on the appliance, ensure that the power supply has been switched off.
For the installation of the spare-part, it is necessary to consult a qualified electrician.

©2021 Flos - All rights reserved - www.flos.com
Flos reserves the right to introduce any changes to its own models, without prior notice.

265 CHROMATICA
A0300099

EN

RF31192

MATT YELLOW COUNTERWEIGHT

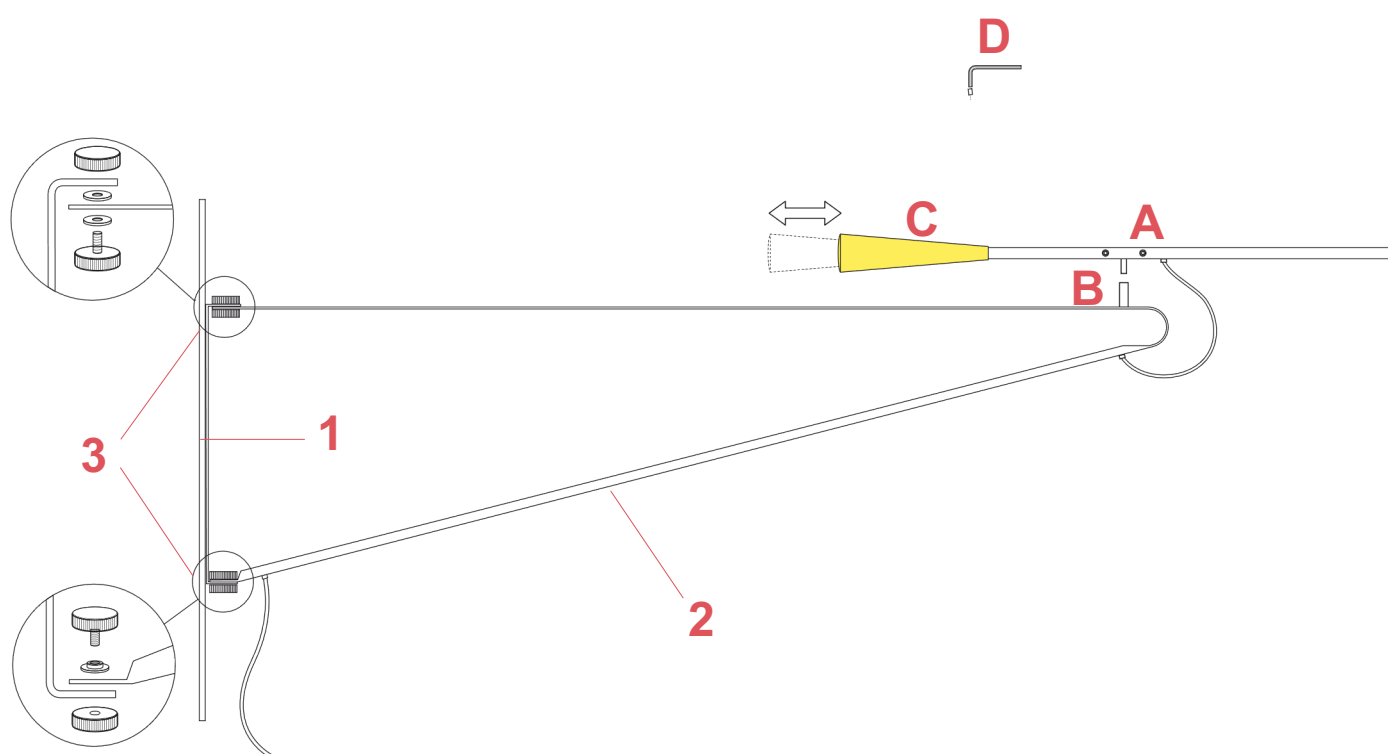


Fig.1

Assemble wall bracket (1) to the wall and lamp support (2) with grained knobs (3) positioning the nylon washers in the indicated order.

Assemble the lamp stem arm to the support (2) by inserting the pin (A) into the sleeve (B).
Once install the lamp-bulb you note that the arm stem is not straight, balance it through the counterweight. When balanced lock the screw (C) by utilizing an Allen key (D).

WARNING! When installing and whenever acting on the appliance, ensure that the power supply has been switched off.
For the installation of the spare-part, it is necessary to consult a qualified electrician.

©2021 Flos - All rights reserved - www.flos.com
Flos reserves the right to introduce any changes to its own models, without prior notice.

265 CHROMATICA
A0300099**EN****RF31190**

MATT RED LAMP HOLDER WITH REFLECTOR SUPPORT ASSEMBLY



WARNING! When installing and whenever acting on the appliance, ensure that the power supply has been switched off.
For the installation of the spare-part, it is necessary to consult a qualified electrician.

265 CHROMATICA
A0300099

EN

RF31190

MATT RED LAMP HOLDER WITH REFLECTOR SUPPORT ASSEMBLY

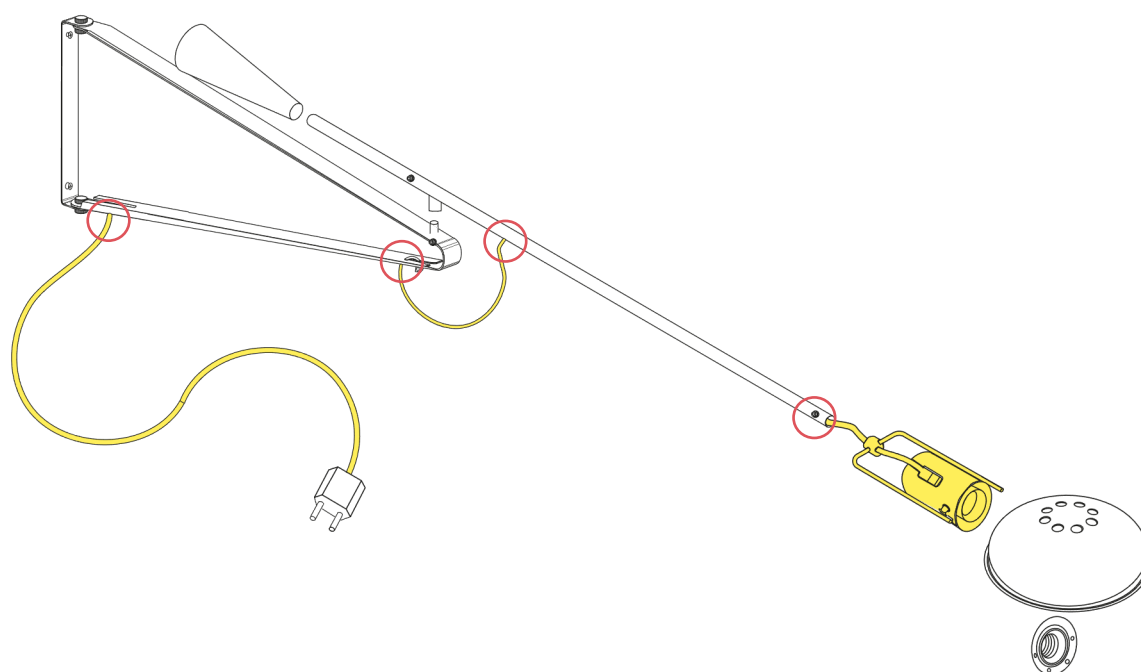


Fig.1

To assemble the reflector assembly (highlighted in yellow in the image), it is necessary to loosen all the 4 screws of the cable tighteners (refer to red circle in the image), then insert the cable in the stem (we recommend to start by inserting the electrical cable from the reflector hand side). Once inserted the cable in the stem it is necessary to insert the cable inside the triangle bracket.

WARNING! When installing and whenever acting on the appliance, ensure that the power supply has been switched off.
For the installation of the spare-part, it is necessary to consult a qualified electrician.

©2021 Flos - All rights reserved - www.flos.com
Flos reserves the right to introduce any changes to its own models, without prior notice.

265 CHROMATICA
A0300099

EN

RF31189
MATT RED REFLECTOR



WARNING! When installing and whenever acting on the appliance, ensure that the power supply has been switched off.
For the installation of the spare-part, it is necessary to consult a qualified electrician.

©2021 Flos - All rights reserved - www.flos.com
Flos reserves the right to introduce any changes to its own models, without prior notice.

265 CHROMATICA
A0300099

EN

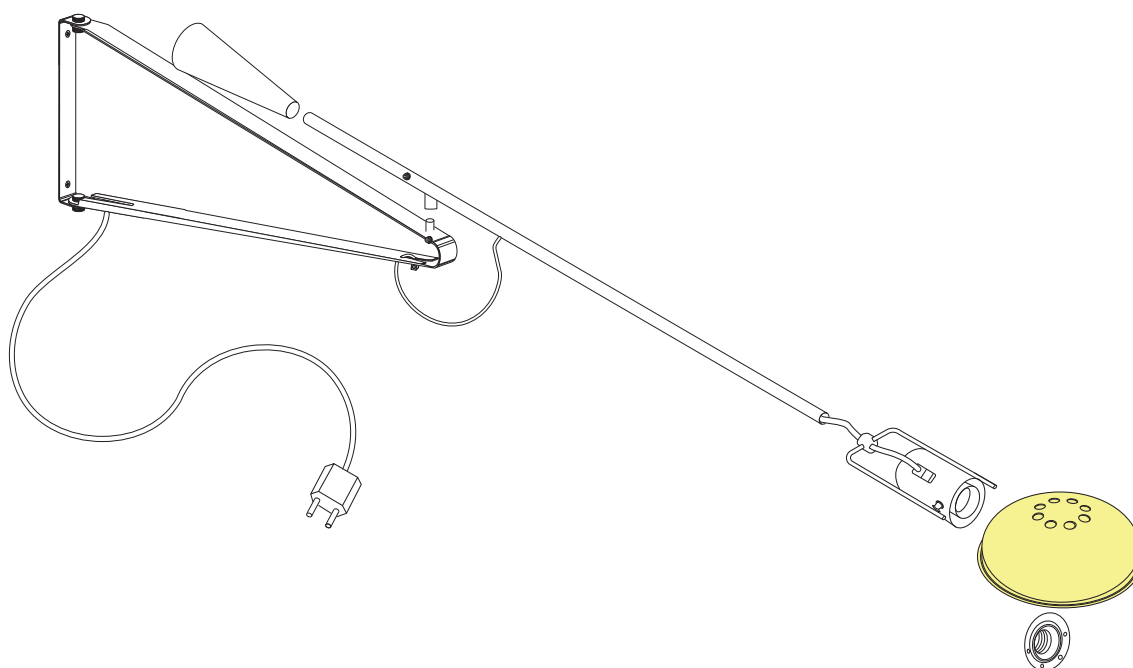
RF31189
MATT RED REFLECTOR

Fig.1

Assemble the reflector by position it on the support and then lock the nut by rotating it clockwise.

WARNING! When installing and whenever acting on the appliance, ensure that the power supply has been switched off.
For the installation of the spare-part, it is necessary to consult a qualified electrician.

©2021 Flos - All rights reserved - www.flos.com
Flos reserves the right to introduce any changes to its own models, without prior notice.

265 CHROMATICA
A0300099

EN

RF31194

MATT GREY WALL ATTACHMENT



WARNING! When installing and whenever acting on the appliance, ensure that the power supply has been switched off.
For the installation of the spare-part, it is necessary to consult a qualified electrician.

©2021 Flos - All rights reserved - www.flos.com
Flos reserves the right to introduce any changes to its own models, without prior notice.

265 CHROMATICA
A0300099

EN

RF31194

MATT GREY WALL ATTACHMENT

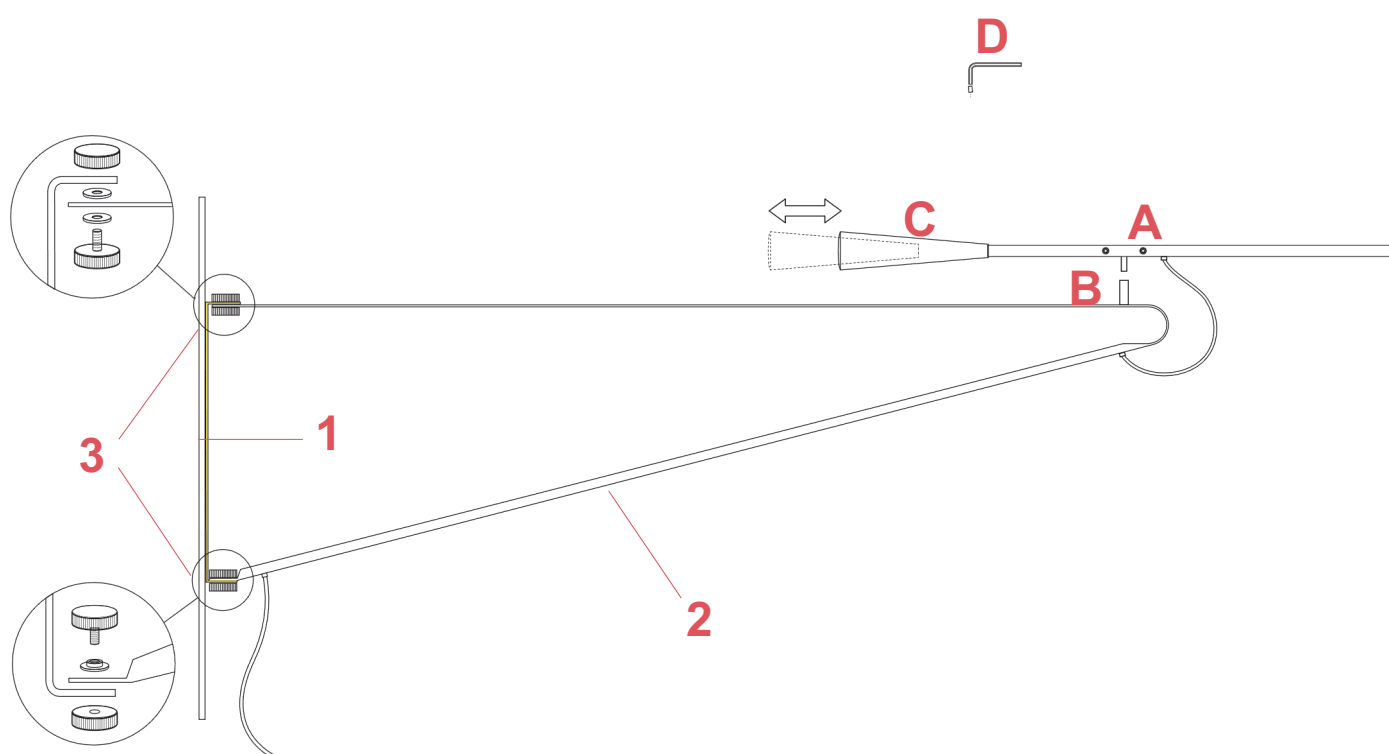


Fig.1

Assemble wall attachment (1) onto the wall and lamp support (2) with grained knobs (3) positioning the nylon washers in the indicated order. Assemble the lamp stem arm to the support (2) by inserting the pin (A) into the sleeve (B). Once install the lamp-bulb you note that the arm stem is not straight, balance it through the counterweight. When balanced lock the screw (C) by utilizing the key (D).

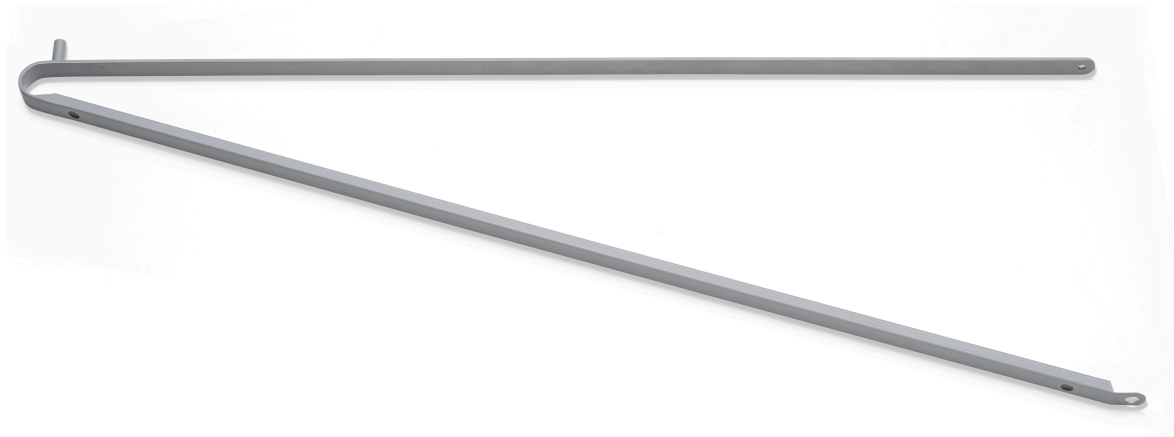
WARNING! When installing and whenever acting on the appliance, ensure that the power supply has been switched off. For the installation of the spare-part, it is necessary to consult a qualified electrician.

265 CHROMATICA
A0300099

EN

RF31193

MATT GREY TRIANGLE BRACKET SUPPORT



WARNING! When installing and whenever acting on the appliance, ensure that the power supply has been switched off.
For the installation of the spare-part, it is necessary to consult a qualified electrician.

©2021 Flos - All rights reserved - www.flos.com
Flos reserves the right to introduce any changes to its own models, without prior notice.

265 CHROMATICA
A0300099

EN

RF31193

MATT GREY TRIANGLE BRACKET SUPPORT

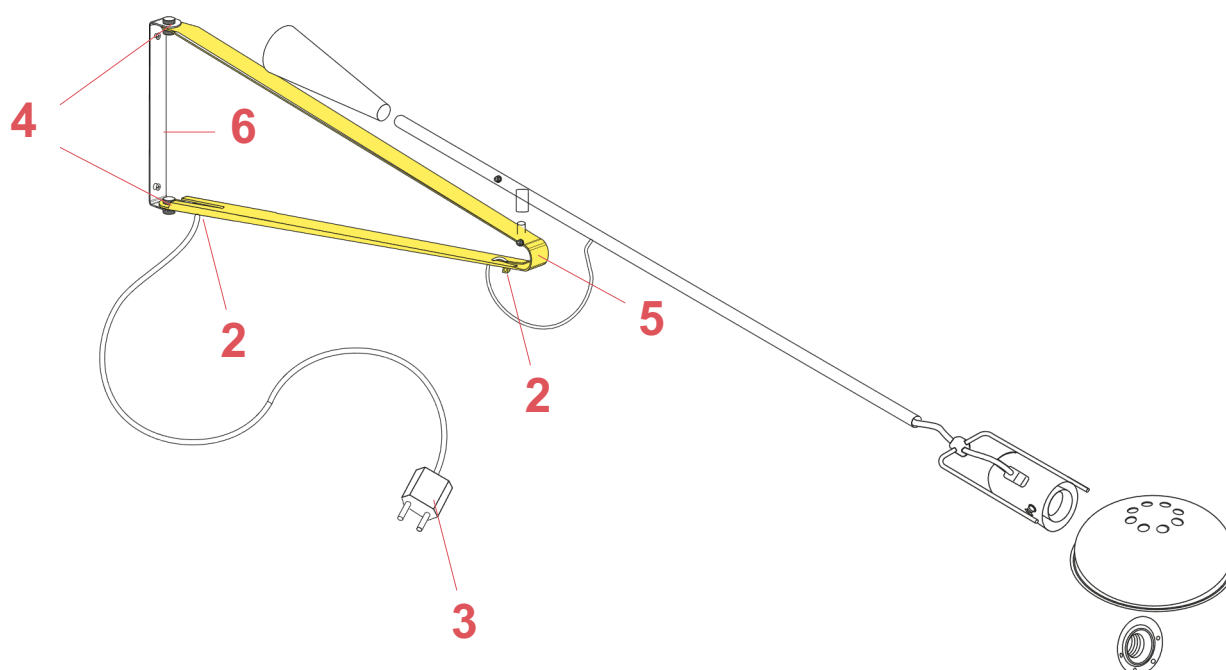


Fig.1

To assemble the triangle stem support (highlighted in yellow in the image), it is necessary:

Disconnect the wires in the plug (3) in a way to free the cable from the plug;

Remove the triangle support (5) from the wall attachment (6) by unfastening the upper and lower screws (4);

Unfasten the two cable clamps (2) screws and slide the electrical cable out from the cable clamps on the triangle support.

Replace the triangle support and re-assemble back all the components.

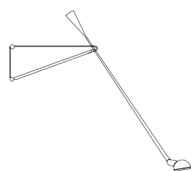
WARNING! When installing and whenever acting on the appliance, ensure that the power supply has been switched off.
For the installation of the spare-part, it is necessary to consult a qualified electrician.

265 CHROMATICA
A0300099

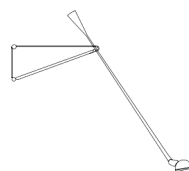
EN

RF11719

SCREWS BAG GROUP STM3X 3 CE C.10 P



265
p.15



265
Chromatica
p.15

WARNING! When installing and whenever acting on the appliance, ensure that the power supply has been switched off.
For the installation of the spare-part, it is necessary to consult a qualified electrician.