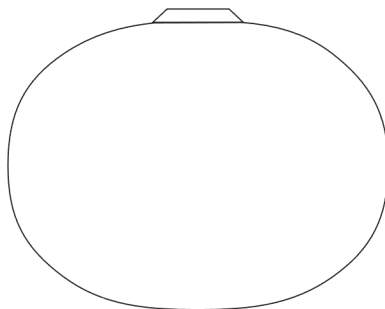


## MINI GLO-BALL C/W

Designed by Jasper Morrison, 2002

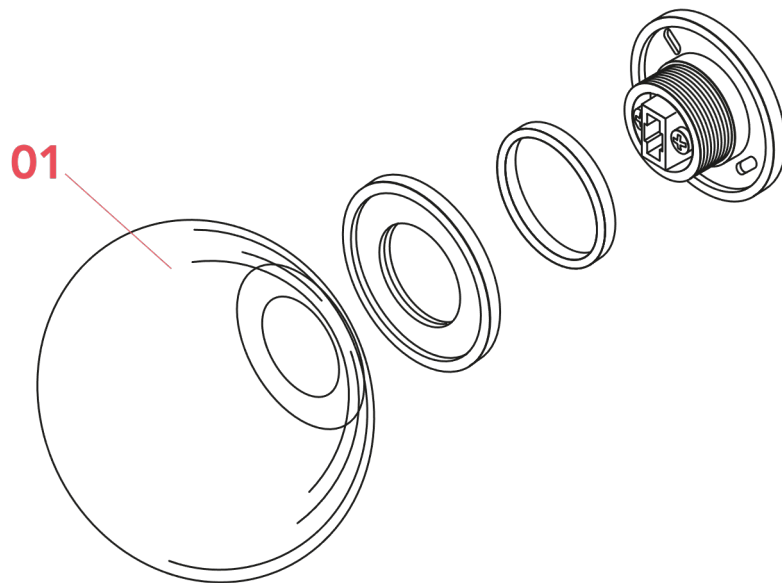
F4194009



## MINI GLO-BALL C/W

F4194009

EN



01. RF4190400 – New type Mini Glo-ball diffuser assembly

MINI GLO-BALL C/W F4194009

EN

## RF4190400

MINI GLO-BALL DIFFUSER ASSEMBLY



Mini Glo-  
ball C/W  
p.03



Mini Glo-  
ball T  
p.03

WARNING! When installing and whenever acting on the appliance, ensure that the power supply has been switched off.  
For the installation of the spare-part, it is necessary to consult a qualified electrician.

MINI GLO-BALL C/W F4194009

EN

**RF4190400**

MINI GLO-BALL DIFFUSER ASSEMBLY

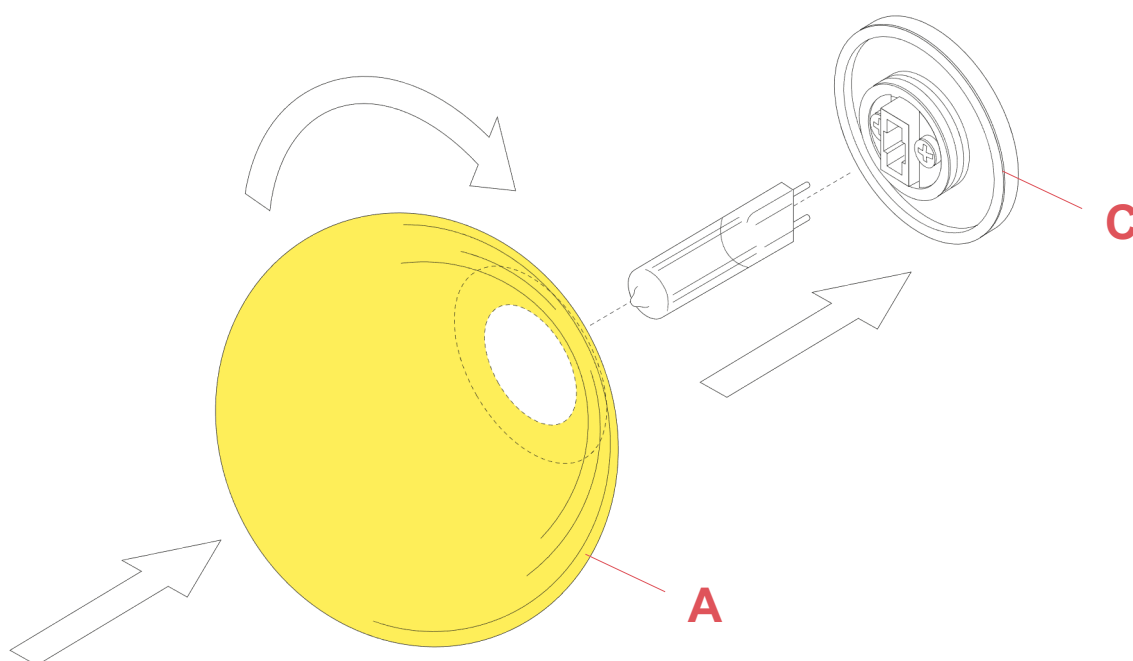


Fig.1

Fasten the diffuser (A) to the lamp body (C).

WARNING! When installing and whenever acting on the appliance, ensure that the power supply has been switched off.  
For the installation of the spare-part, it is necessary to consult a qualified electrician.