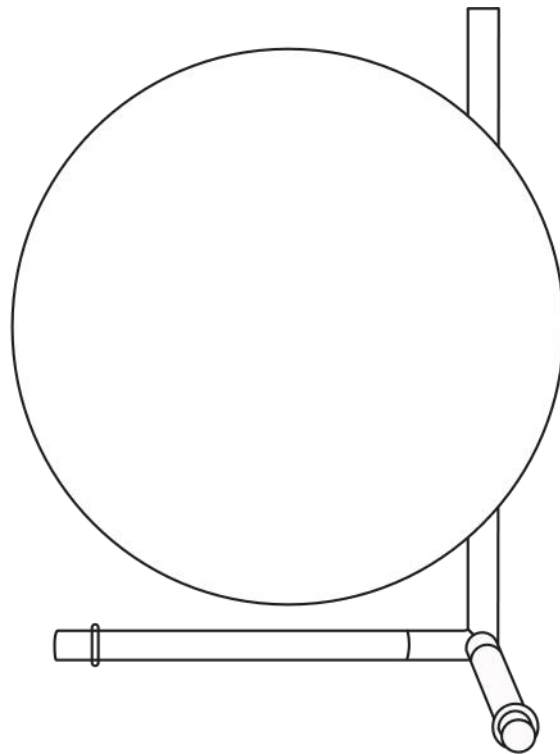


IC T2

Designed by Michael Anastassiades, 2014

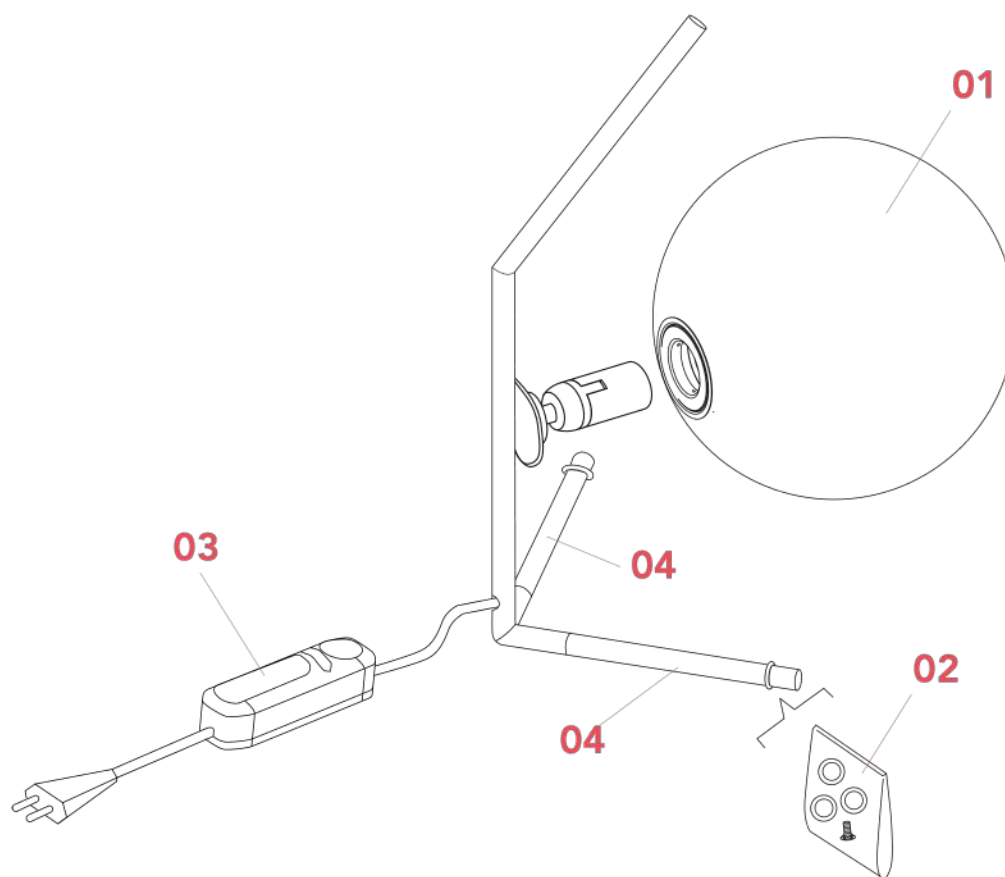
F3172030



IC T2

F3172030

EN



- 01. **F3137030A** – Glass diffuser S2 assembly for black version
- 02. **RF3160500** – Gasket with foot kit
- 03. **RF32262** – Led dimmer 1004P LFP100-240V 4-150WHL 4-25W
- 04. **RF27824** – Lower black leg

IC T2 F3172030

EN

F3137030A

GLASS DIFFUSER S2 ASSEMBLY FOR BLACK VERSION



Ic-CW2
p.03



Ic-CW2
double
p.03



Ic-F2
p.03



Ic-S2
p.03



Ic T2
p.03

WARNING! When installing and whenever acting on the appliance, ensure that the power supply has been switched off. For the installation of the spare-part, it is necessary to consult a qualified electrician.

IC T2 F3172030

EN

F3137030A

GLASS DIFFUSER S2 ASSEMBLY FOR BLACK VERSION

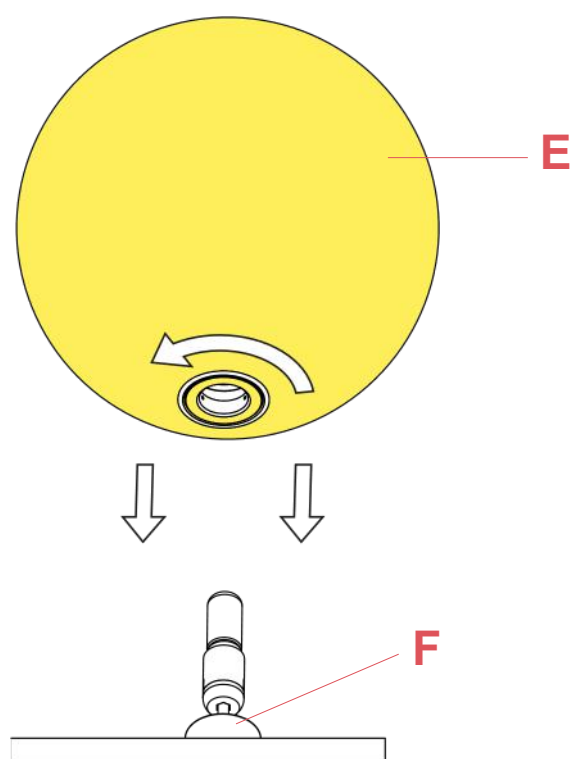


Fig.1

Assemble the glass diffuser (E) by fastening it delicately to the lamp body's ferrule (F).

WARNING! When installing and whenever acting on the appliance, ensure that the power supply has been switched off. For the installation of the spare-part, it is necessary to consult a qualified electrician.

IC T2 F3172030

EN

RF3160500

GASKET AND FOOT KIT



WARNING! When installing and whenever acting on the appliance, ensure that the power supply has been switched off.
For the installation of the spare-part, it is necessary to consult a qualified electrician.

©2021 Flos - All rights reserved - www.flos.com
Flos reserves the right to introduce any changes to its own models, without prior notice.

IC T2 F3172030

EN

RF3160500

GASKET AND FOOT KIT

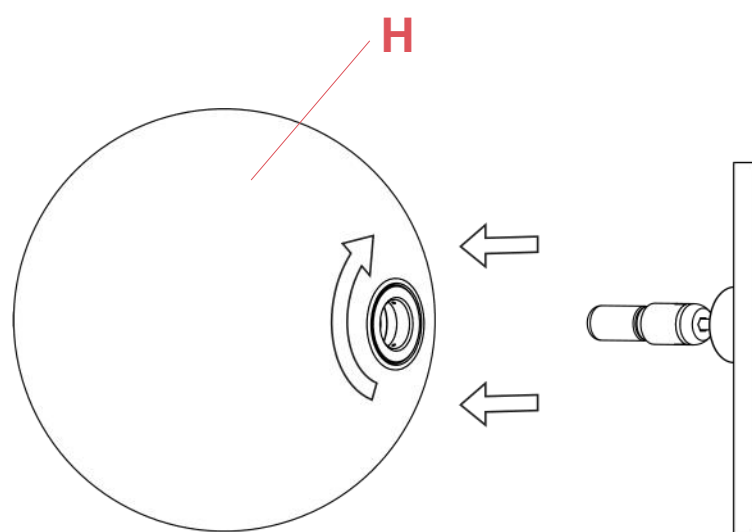


Fig.1

Before proceeding in installing the screws, please verify that the glass diffuser (H) has been removed. If not, please remove to the glass diffuser (H) to avoid possible damages.

WARNING! When installing and whenever acting on the appliance, ensure that the power supply has been switched off. For the installation of the spare-part, it is necessary to consult a qualified electrician.

IC T2 F3172030

EN

RF3160500

GASKET AND FOOT KIT

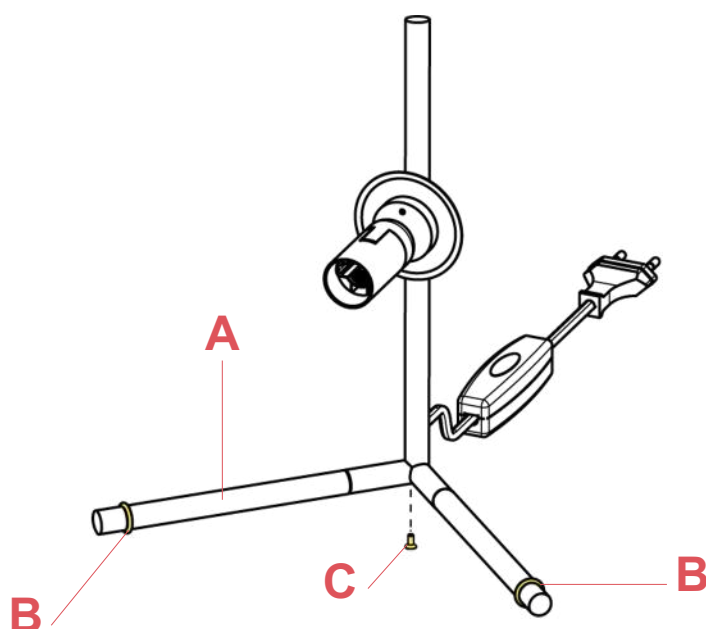


Fig.2

Collocate the gaskets (B) on the bars (A) and insert the foot (C) under the lamp body stem.

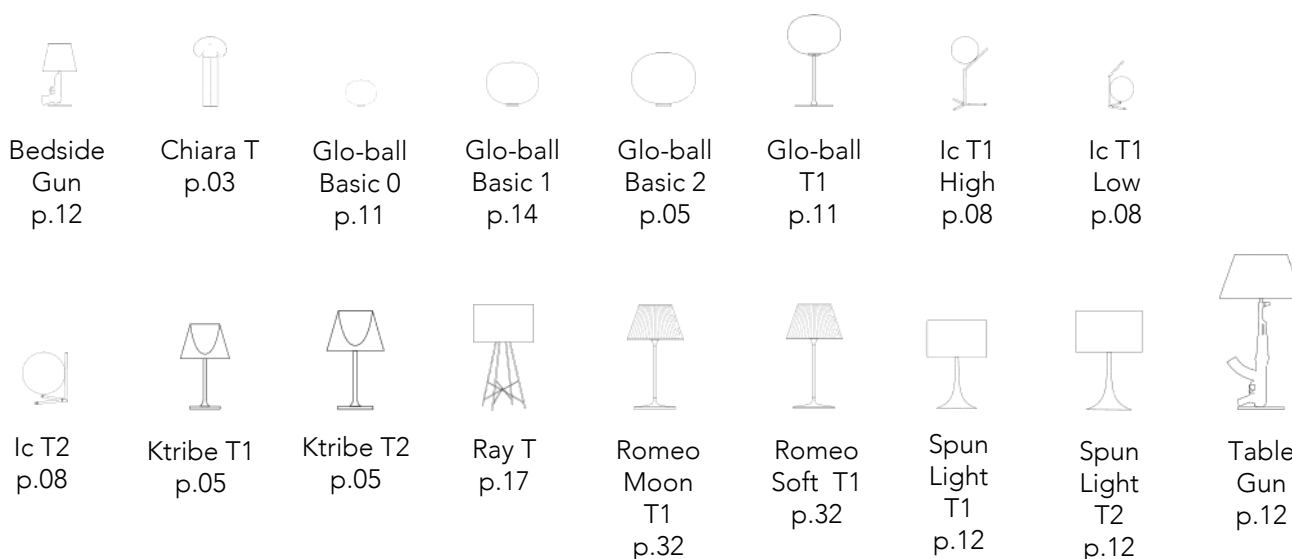
WARNING! When installing and whenever acting on the appliance, ensure that the power supply has been switched off. For the installation of the spare-part, it is necessary to consult a qualified electrician.

IC T2 F3172030

EN

RF32262

LED DIMMER 1004P LFP100-240V 4-150WHL 4-25W



WARNING! When installing and whenever acting on the appliance, ensure that the power supply has been switched off.
For the installation of the spare-part, it is necessary to consult a qualified electrician.

IC T2 F3172030

EN

RF32262

LED DIMMER 1004P LFP100-240V 4-150WHL 4-25W



Fig.1



Fig.2

Open the dimmer box of the damaged dimmer.
For the opening, it is necessary to remove the n°2 screws using a star screw driver.

Lift-up the dimmer casing from the dimmer base;

WARNING! When installing and whenever acting on the appliance, ensure that the power supply has been switched off.
For the installation of the spare-part, it is necessary to consult a qualified electrician.

IC T2 F3172030

EN

RF32262

LED DIMMER 1004P LFP100-240V 4-150WHL 4-25W

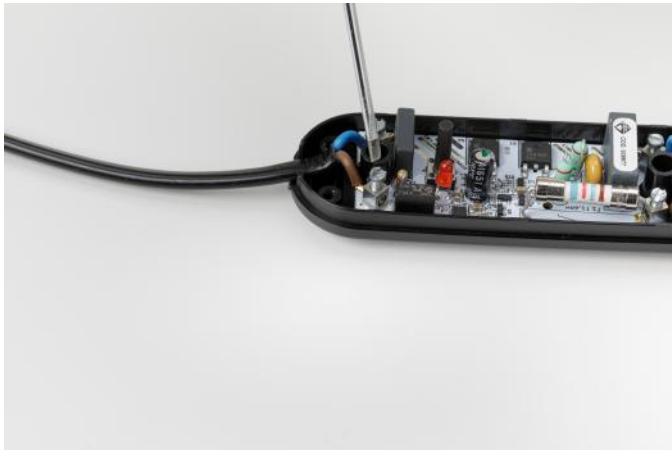


Fig.3

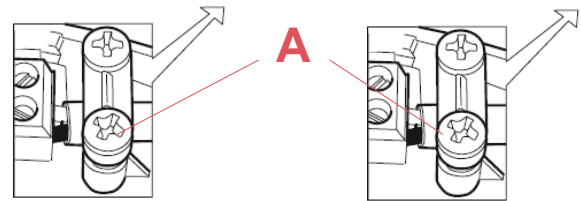


Fig.3.1

Remove the cable clamps by unfastening the 4 screws (A) and disconnect the wires from the terminal blocks through a tiny flat headed screw driver;



Fig.4

Replace the dimmer and connect the wires. When connecting the wires it is necessary to respect the polarities (L = Brown and N = Blue) to the terminal box. Lock the electrical cables by fastening the screws (A) of the cable clamps and make sure to block the isolation of the electrical cable.

Close the dimmer box. It is necessary to place the casing on top and press down until it locks in. it is necessary to insert the n°2 screws using a star screw driver.

WARNING! When installing and whenever acting on the appliance, ensure that the power supply has been switched off. For the installation of the spare-part, it is necessary to consult a qualified electrician.

IC T2 F3172030

EN

RF27824

LOWER BLACK LEG



WARNING! When installing and whenever acting on the appliance, ensure that the power supply has been switched off.
For the installation of the spare-part, it is necessary to consult a qualified electrician.

©2021 Flos - All rights reserved - www.flos.com
Flos reserves the right to introduce any changes to its own models, without prior notice.

IC T2 F3172030

EN

RF27824

LOWER BLACK LEG

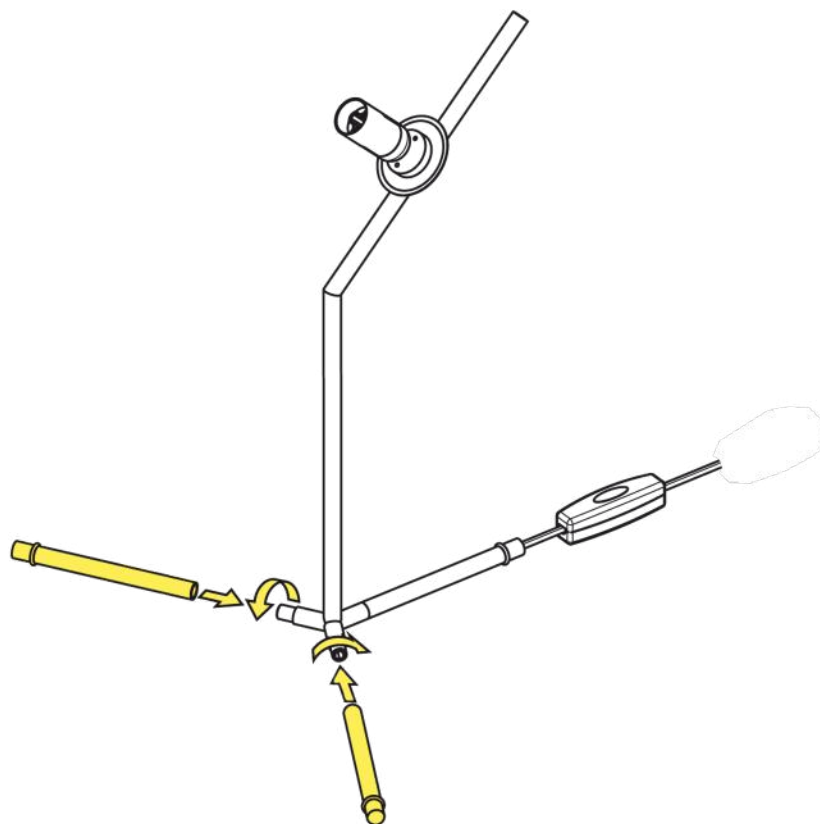


Fig.1

Unscrew the old legs and remove them from the body lamp.

Screw the new legs in the body lamp (see the picture)

WARNING! When installing and whenever acting on the appliance, ensure that the power supply has been switched off.
For the installation of the spare-part, it is necessary to consult a qualified electrician.