

NOCTAMBULE S

Designed by Konstantin Grcic, 2019

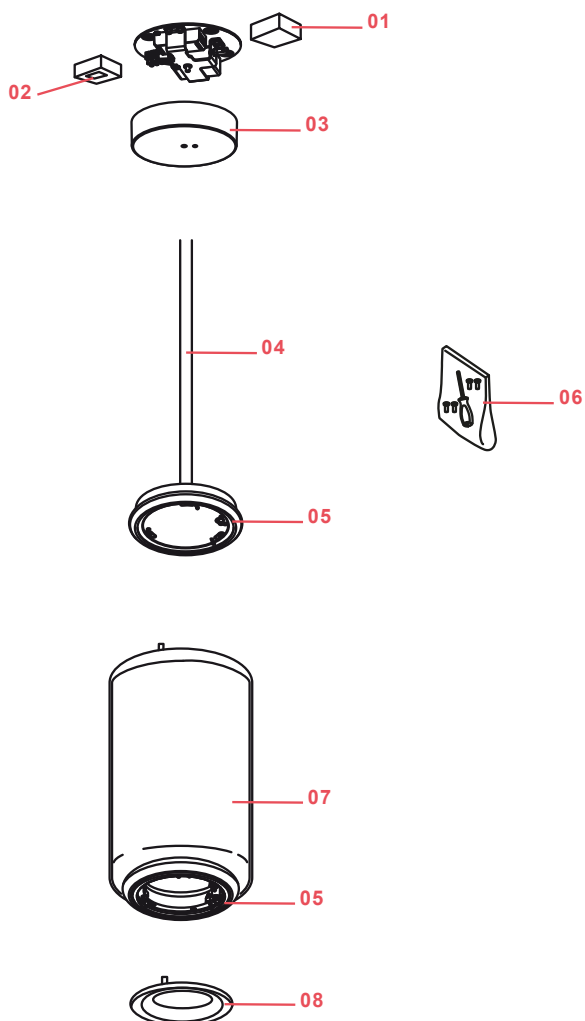
F0276000



NOCTAMBULE S

F0276000

EN



01. RF0410500 – Power supply kit for Arrangements small & Noctambule

02. RF0410300 – Led dimmer kit

03. RF27422 – Ceiling Rose cover Diameter. 185 H. 45

04. F0253030A – Suspension attack

05. RF27498 – Ring led diffuser

06. RF0254100 – Fixing screws kit

07. F0254000A – Low cylinder

08. F0258030A – Terminal ring

NOCTAMBULE S F0276000

EN

RF0410500

POWER SUPPLY KIT FOR ARRANGEMENTS SMALL & NOCTAMBULE



WARNING! When installing and whenever acting on the appliance, ensure that the power supply has been switched off. For the installation of the spare-part, it is necessary to consult a qualified electrician.

©2021 Flos - All rights reserved - www.flos.com
Flos reserves the right to introduce any changes to its own models, without prior notice.

NOCTAMBULE S F0276000

EN

RF0410500

POWER SUPPLY KIT FOR ARRANGEMENTS SMALL & NOCTAMBULE

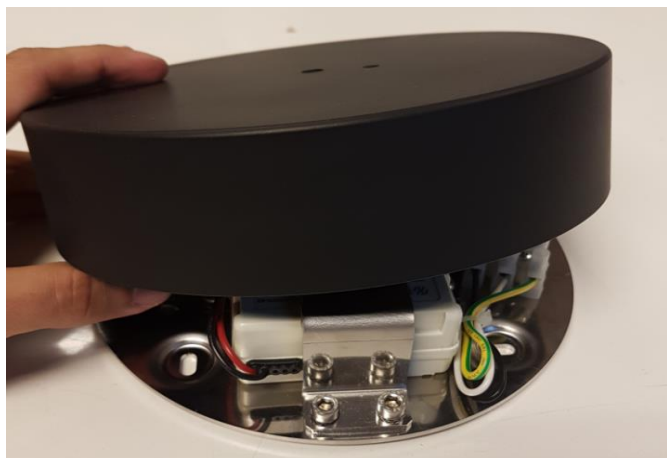


Fig.1

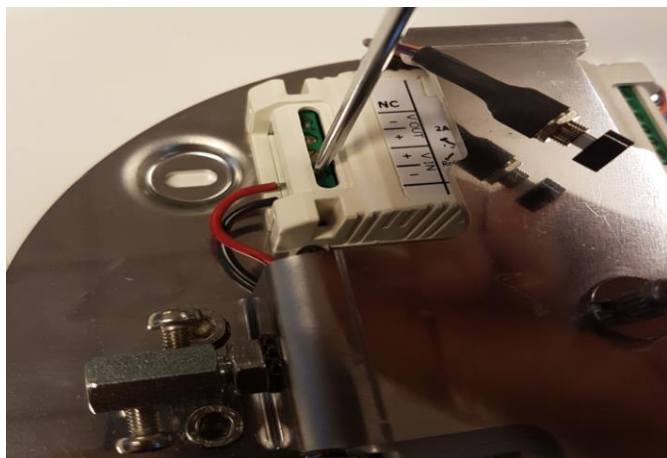


Fig.2

Remove the cover.

Disconnect the Vin and Vout terminals from the dimmer using a screwdriver.

WARNING! When installing and whenever acting on the appliance, ensure that the power supply has been switched off. For the installation of the spare-part, it is necessary to consult a qualified electrician.

RF0410500

POWER SUPPLY KIT FOR ARRANGEMENTS SMALL & NOCTAMBULE

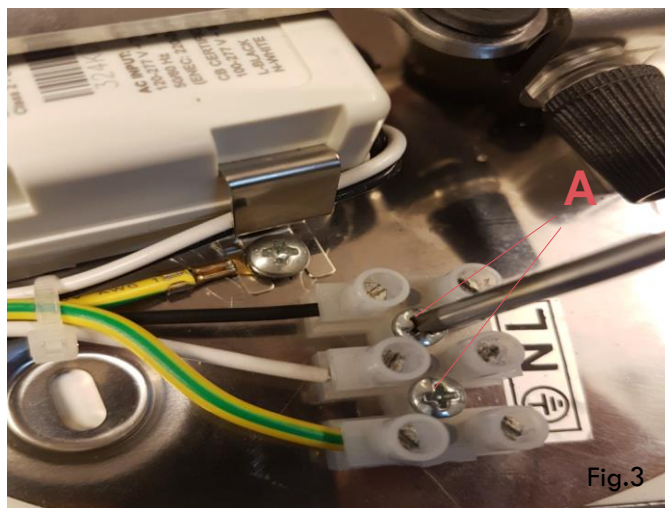


Fig.3

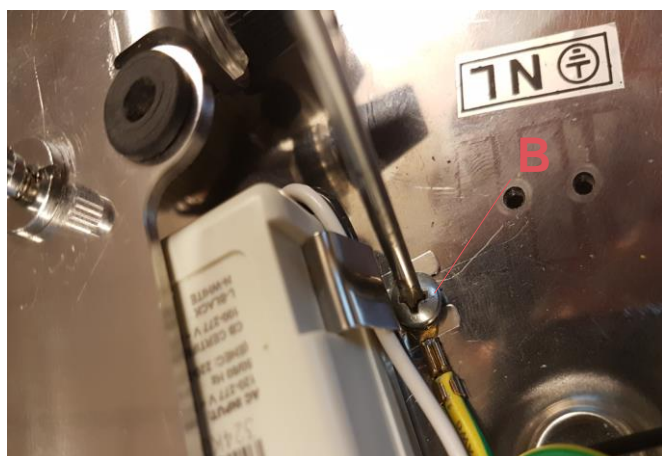


Fig.4

Unscrew the screws (A & B) from the old Power Supply using a screwdriver.

Remove the old Power Supply.

Replace the old Power Supply with the new one.

Now Connect the Vin and Vout terminals to the dimmer using a screwdriver.(Fig.2 page 4)

Fasten back the screws (A & B) of the new Power Supply using a screwdriver.

Place the cover on the ceiling rose. (Fig.1 page 4)

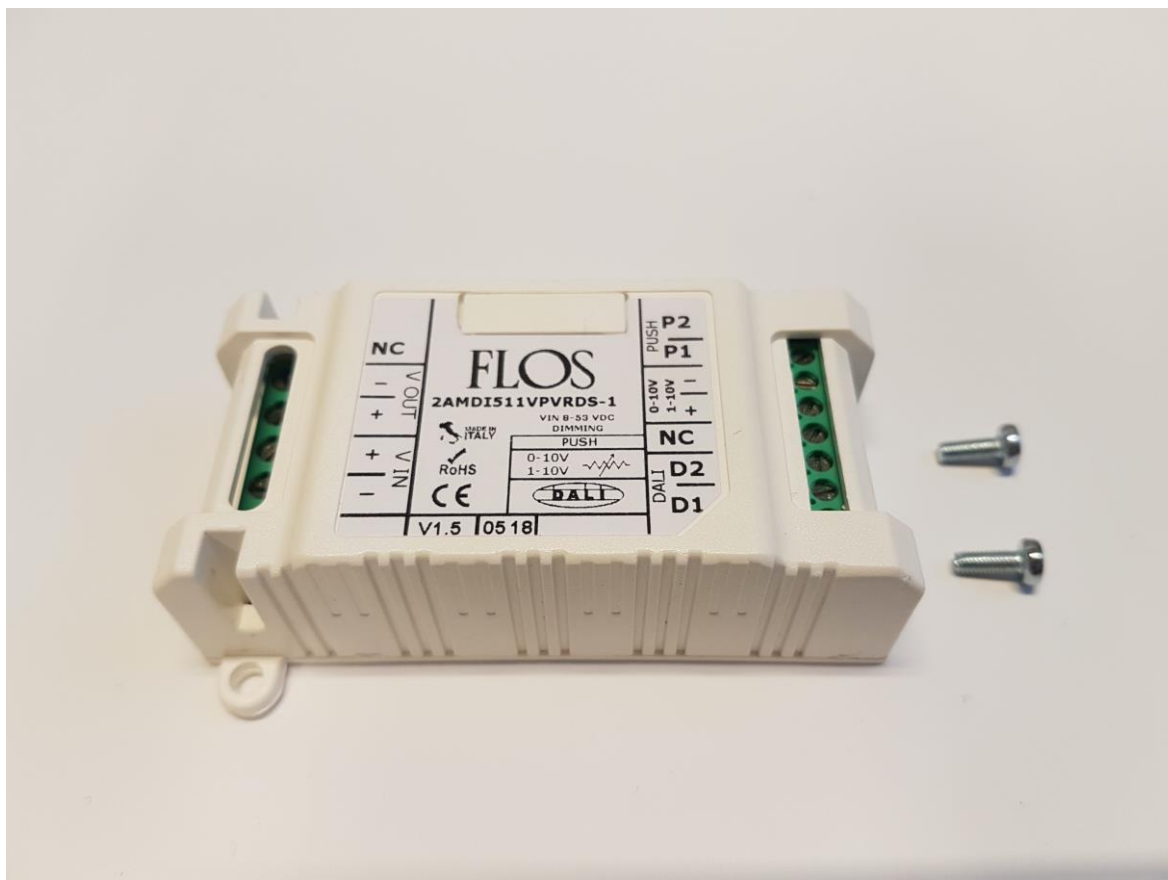
WARNING! When installing and whenever acting on the appliance, ensure that the power supply has been switched off. For the installation of the spare-part, it is necessary to consult a qualified electrician.

NOCTAMBULE S F0276000

EN

RF0410300

LED DIMMER KIT



WARNING! When installing and whenever acting on the appliance, ensure that the power supply has been switched off. For the installation of the spare-part, it is necessary to consult a qualified electrician.

NOCTAMBULE S F0276000

EN

RF0410300

LED DIMMER KIT

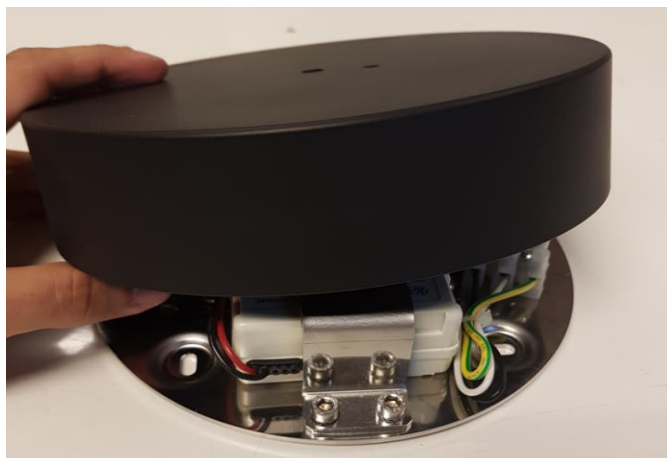


Fig.1

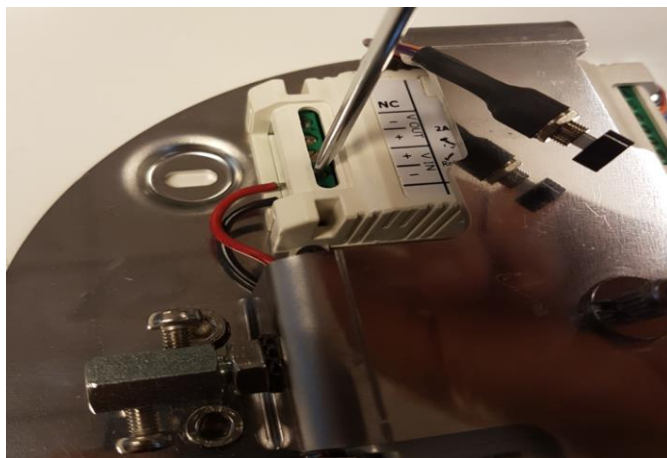


Fig.2

Remove the cover.

Disconnect the Vin and Vout terminals from the dimmer using a screwdriver.

WARNING! When installing and whenever acting on the appliance, ensure that the power supply has been switched off. For the installation of the spare-part, it is necessary to consult a qualified electrician.

NOCTAMBULE S F0276000

EN

RF0410300

LED DIMMER KIT

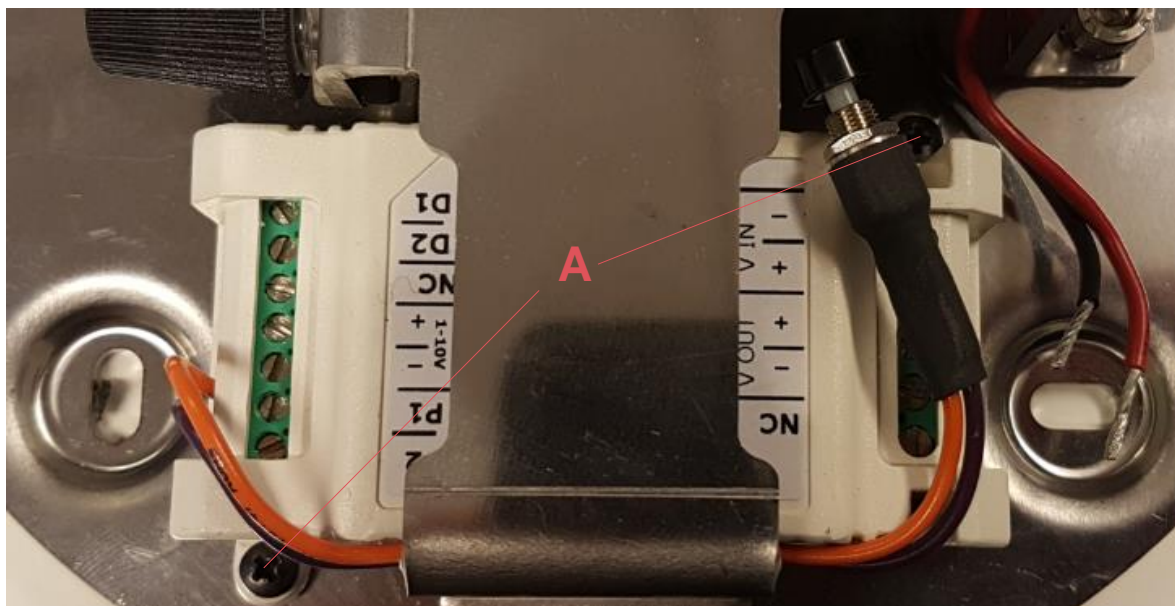


Fig.3

Unscrew the screws (A) from the old dimmer using a screwdriver.

Remove the old dimmer and replace it with the new one.

Fasten back the screws (A) of the new dimmer using a screwdriver.

Connect the Vin and Vout terminals of the new dimmer using a screwdriver. (Fig. 2 page 7)

Place the cover on the ceiling rose. (Fig.1 page 7)

WARNING! When installing and whenever acting on the appliance, ensure that the power supply has been switched off.
For the installation of the spare-part, it is necessary to consult a qualified electrician.

©2021 Flos - All rights reserved - www.flos.com
Flos reserves the right to introduce any changes to its own models, without prior notice.

NOCTAMBULE S F0276000

EN

RF27422

CEILING ROSE COVER DIAMETER 185 H.45



WARNING! When installing and whenever acting on the appliance, ensure that the power supply has been switched off.
For the installation of the spare-part, it is necessary to consult a qualified electrician.

NOCTAMBULE S F0276000

EN

RF253030A

SUSPENSION ATTACK



WARNING! When installing and whenever acting on the appliance, ensure that the power supply has been switched off.
For the installation of the spare-part, it is necessary to consult a qualified electrician.

RF253030A

SUSPENSION ATTACK

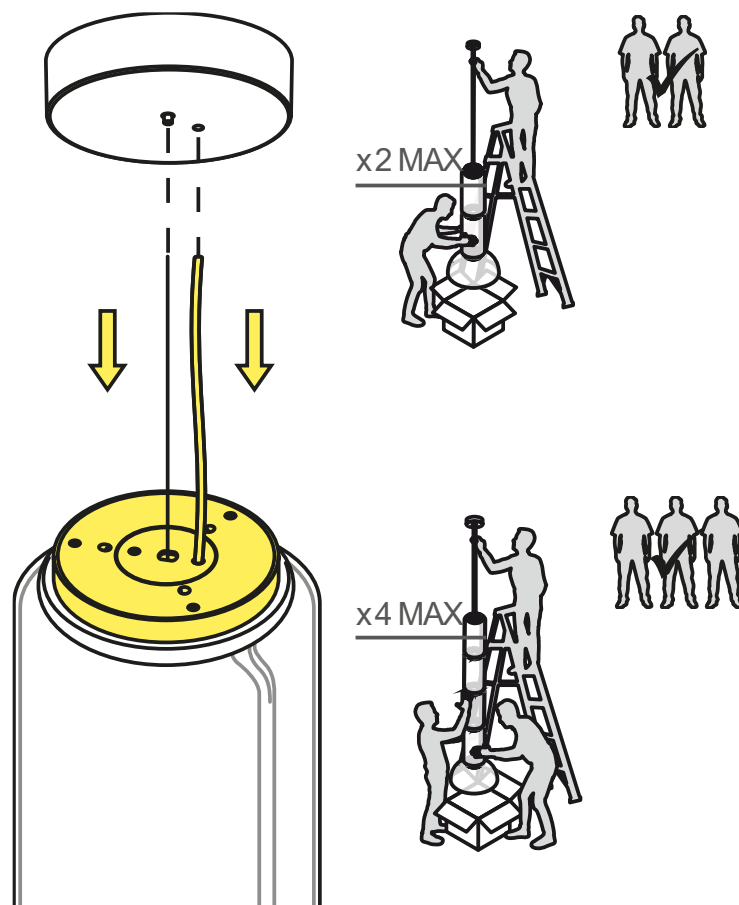


Fig.1

Disconnect the cylinders from the ceiling rose.

WARNING! When installing and whenever acting on the appliance, ensure that the power supply has been switched off. For the installation of the spare-part, it is necessary to consult a qualified electrician.

NOCTAMBULE S F0276000

EN

RF253030A

SUSPENSION ATTACK

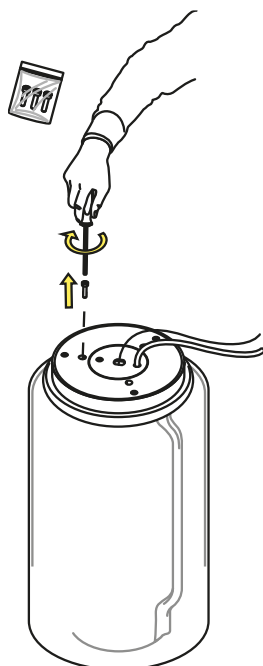


Fig.2

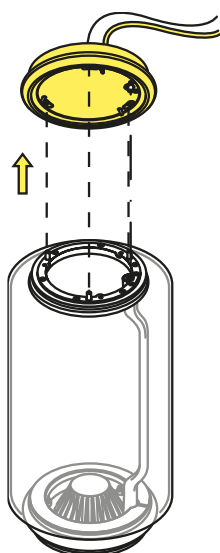


Fig.3

Unscrew the screws from the suspension attack.

Remove the suspension attack from the cylinder.

Connect the new suspension attack to the cylinder.

Tighten the screws to the suspension attack.

Connect the lamp to the ceiling rose.

WARNING! When installing and whenever acting on the appliance, ensure that the power supply has been switched off.
For the installation of the spare-part, it is necessary to consult a qualified electrician.

NOCTAMBULE S F0276000

EN

RF27498

RING LED DIFFUSER



WARNING! When installing and whenever acting on the appliance, ensure that the power supply has been switched off.
For the installation of the spare-part, it is necessary to consult a qualified electrician.

©2021 Flos - All rights reserved - www.flos.com

Flos reserves the right to introduce any changes to its own models, without prior notice.

NOCTAMBULE S F0276000

EN

RF0254100

FIXING SCREWS KIT



WARNING! When installing and whenever acting on the appliance, ensure that the power supply has been switched off.
For the installation of the spare-part, it is necessary to consult a qualified electrician.

NOCTAMBULE S F0276000

EN

F0254000A LOW CYLINDER



WARNING! When installing and whenever acting on the appliance, ensure that the power supply has been switched off.
For the installation of the spare-part, it is necessary to consult a qualified electrician.

©2021 Flos - All rights reserved - www.flos.com
Flos reserves the right to introduce any changes to its own models, without prior notice.

F0254000A

LOW CYLINDER

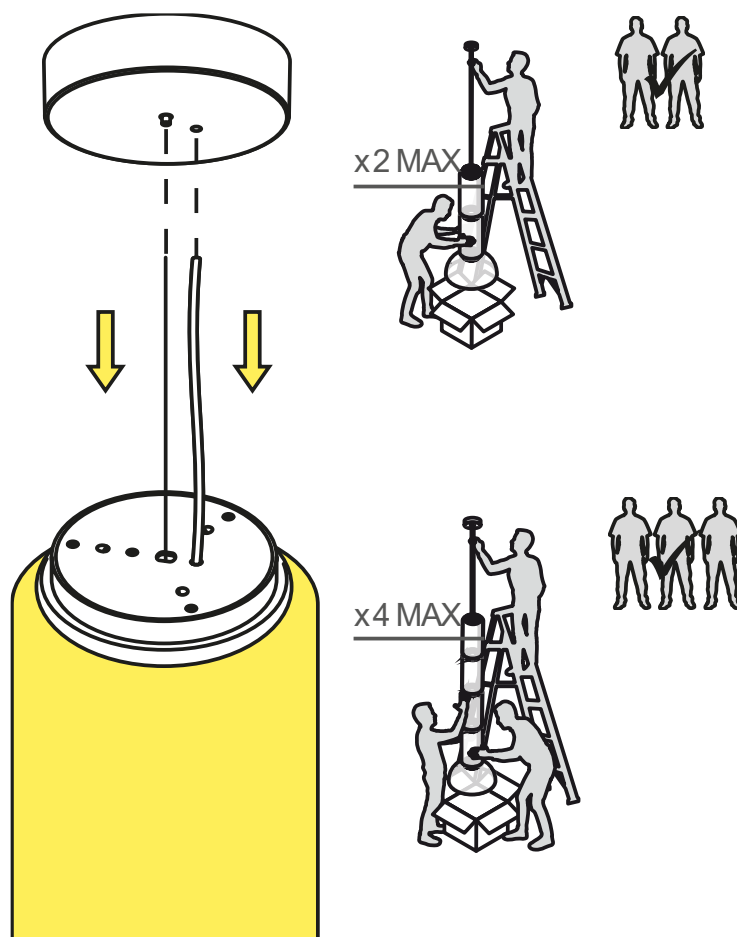


Fig.1

Disconnect the cylinders from the ceiling rose.

WARNING! When installing and whenever acting on the appliance, ensure that the power supply has been switched off.
For the installation of the spare-part, it is necessary to consult a qualified electrician.

NOCTAMBULE S F0276000

EN

F0254000A

LOW CYLINDER

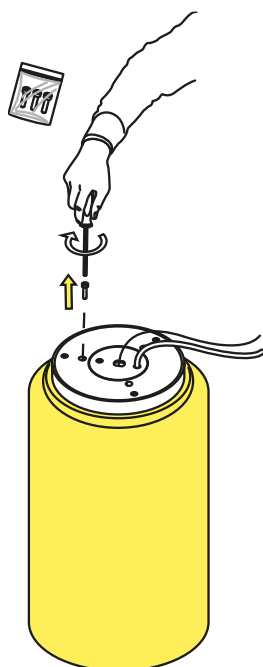


Fig.2

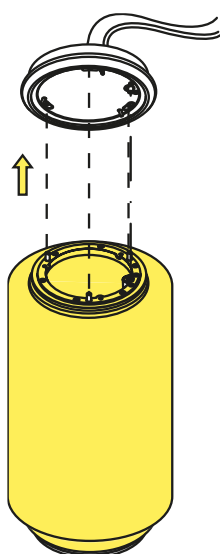


Fig.3

Unscrew the screws from the suspension attack.

Remove the suspension attack from the cylinder.

Connect the new suspension attack to the cylinder.

Tighten the screws to the suspension attack.

Connect the lamp to the ceiling rose.

WARNING! When installing and whenever acting on the appliance, ensure that the power supply has been switched off.
For the installation of the spare-part, it is necessary to consult a qualified electrician.

NOCTAMBULE S F0276000

EN

F0254000A

LOW CYLINDER

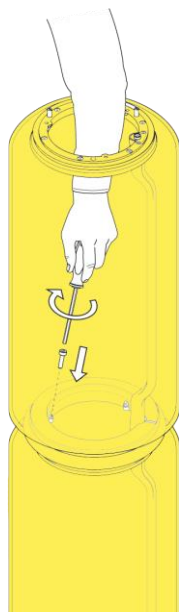


Fig.4

Figure 4 and 5 (only for 2/3/4 cylinders version)

Unscrew the screws from the cylinder (Fig. 4).

Disconnect the cylinder from the other one (Fig. 5).

Replace the old cylinder with the new one.

Now assemble all the components, please proceed in reverse order.

Connect the cylinders.

Tighten the screws to the cylinder.

Connect the suspension attack to the cylinder.

Tighten the screws to the suspension attack.

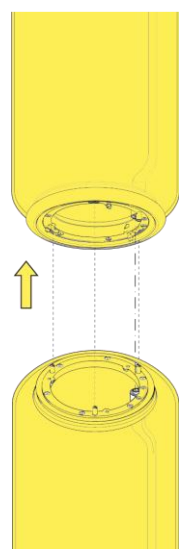


Fig.5

Connect the lamp to the ceiling rose.

WARNING! When installing and whenever acting on the appliance, ensure that the power supply has been switched off.
For the installation of the spare-part, it is necessary to consult a qualified electrician.

NOCTAMBULE S F0276000

EN

F0258030A

TERMINAL RING



WARNING! When installing and whenever acting on the appliance, ensure that the power supply has been switched off.
For the installation of the spare-part, it is necessary to consult a qualified electrician.

NOCTAMBULE S F0276000

EN

F0258030A

TERMINAL RING

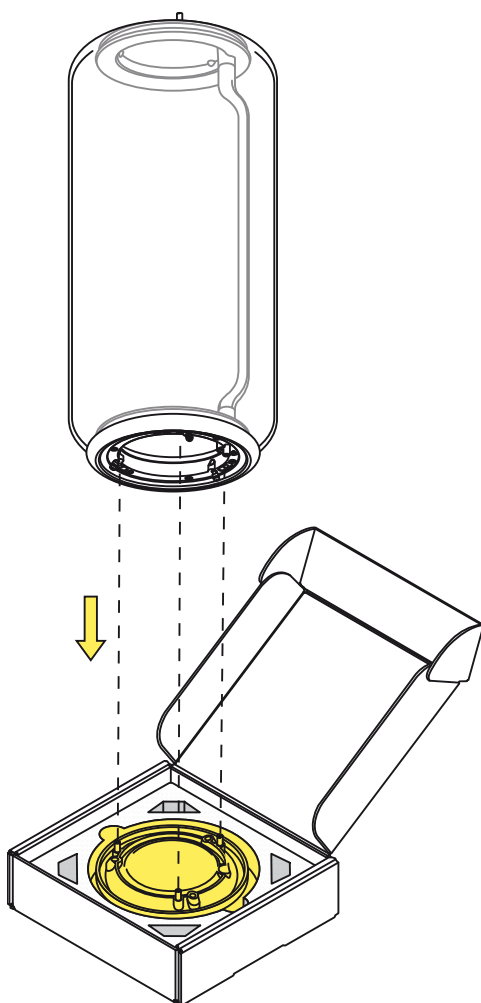


Fig.1

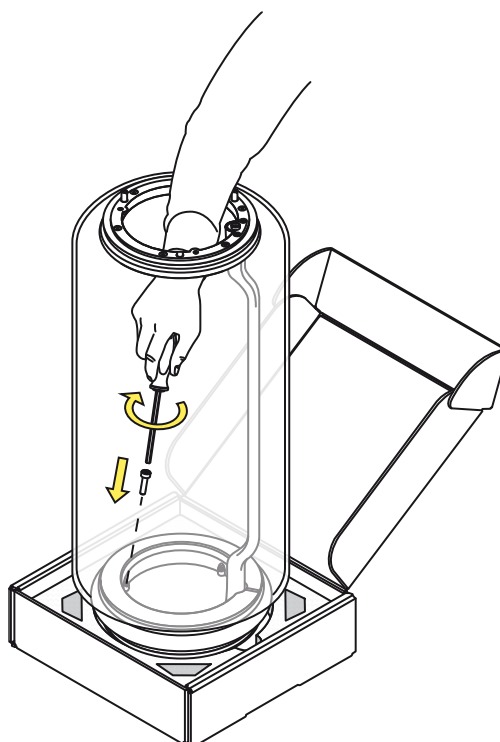


Fig.2

WARNING! When installing and whenever acting on the appliance, ensure that the power supply has been switched off.
For the installation of the spare-part, it is necessary to consult a qualified electrician.