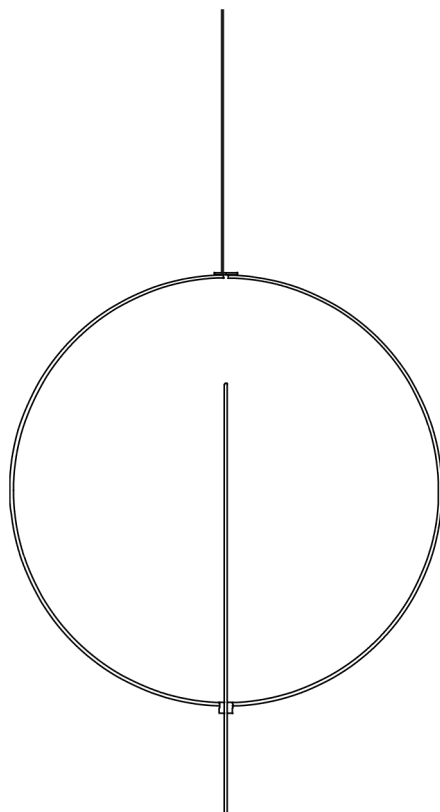


OVERLAP S2

Designed by Michael Anastassiades, 2018

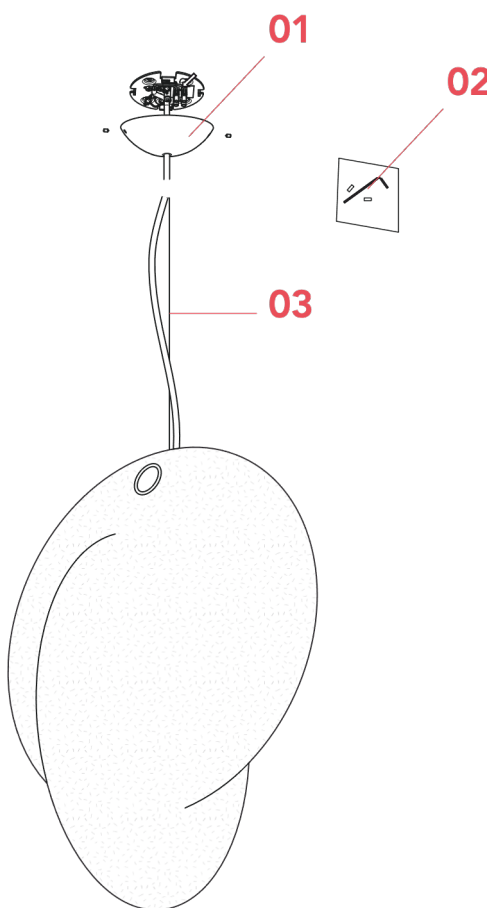
F4634009



OVERLAP S2

F4634009

EN



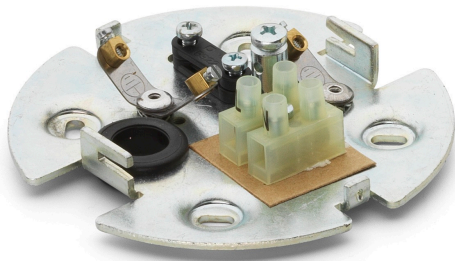
- 01. RF4630159 – Complete rose
- 02. RF3160100 – Kit with screws and Allen key
- 03. RF01089 – 4 mt steel wire Ø1,2mm with 19 winded wires
- 03. RF29665 – 2,7 mt steel wire Ø1,2mm with 19 winded wires

OVERLAP S2 F4634009

EN

RF4630159

COMPLETE ROSE



WARNING! When installing and whenever acting on the appliance, ensure that the power supply has been switched off.
For the installation of the spare-part, it is necessary to consult a qualified electrician.

©2021 Flos - All rights reserved - www.flos.com
Flos reserves the right to introduce any changes to its own models, without prior notice.

OVERLAP S2 F4634009

EN

RF4630159

COMPLETE ROSE

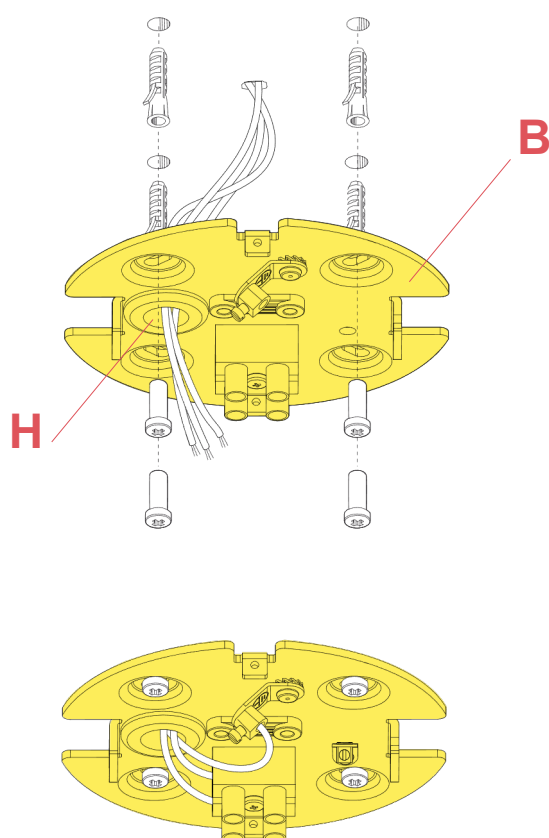


Fig.1

Install the wall fitting (B) to the ceiling with screws and plugs, ensuring that the power wires pass through the hole (H).
REMARKS!!! Choose screw plugs that are suitable for the type of mounting surface.

WARNING! When installing and whenever acting on the appliance, ensure that the power supply has been switched off.
For the installation of the spare-part, it is necessary to consult a qualified electrician.

©2021 Flos - All rights reserved - www.flos.com
Flos reserves the right to introduce any changes to its own models, without prior notice.

OVERLAP S2 F4634009

EN

RF4630159

COMPLETE ROSE

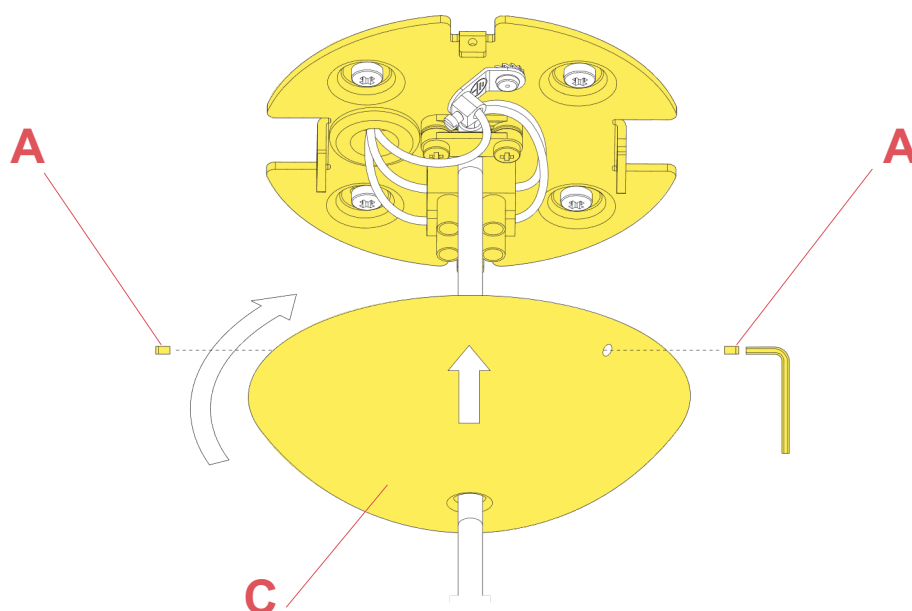


Fig.2

Assemble the ceiling rose on the ceiling attachment by fastening it with a slight clockwise rotation to then lock it by screwing the headless screws (A)..

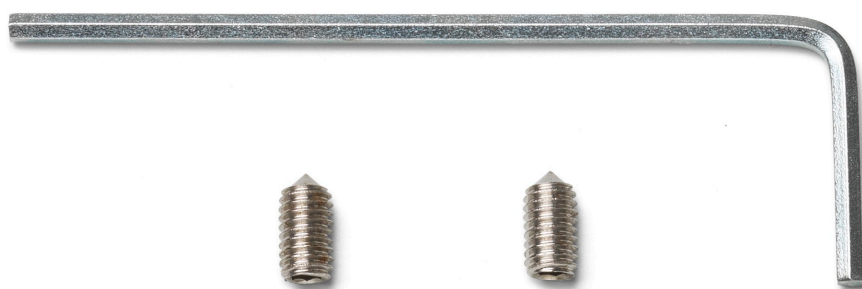
WARNING! When installing and whenever acting on the appliance, ensure that the power supply has been switched off. For the installation of the spare-part, it is necessary to consult a qualified electrician.

OVERLAP S2 F4634009

EN

RF3160100

KIT WITH SCREWS AND ALLEN KEY



Ic-CW1
p.05



Ic-CW1
double
p.05



Ic-CW2
p.05



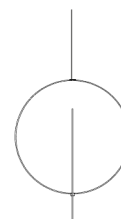
Ic-CW2
double
p.05



Ic-S1
p.08



Ic-S2
p.08



Overlap
p.06

WARNING! When installing and whenever acting on the appliance, ensure that the power supply has been switched off.
For the installation of the spare-part, it is necessary to consult a qualified electrician.

OVERLAP S2 F4634009

EN

RF3160100

KIT WITH SCREWS AND ALLEN KEY

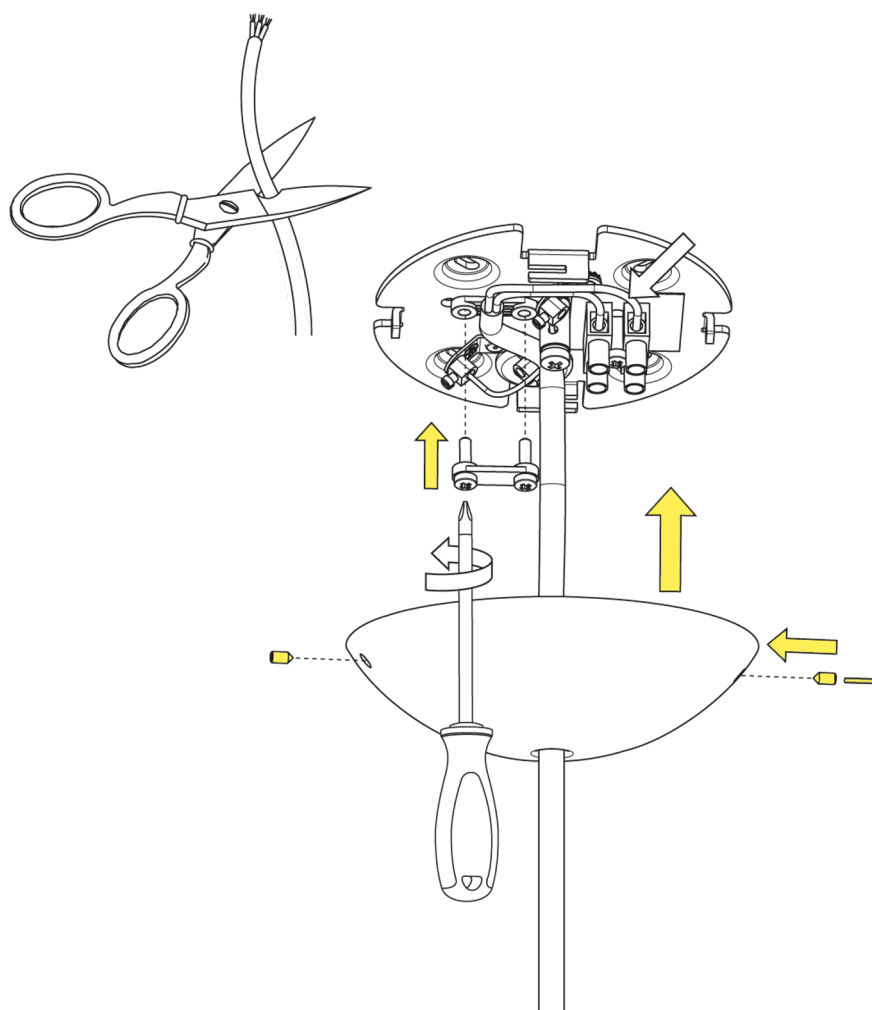


Fig.1

Position the cover on the wall attachment and rotation it clockwise to fasten it.
Screw the two headless screws.

WARNING! When installing and whenever acting on the appliance, ensure that the power supply has been switched off.
For the installation of the spare-part, it is necessary to consult a qualified electrician.

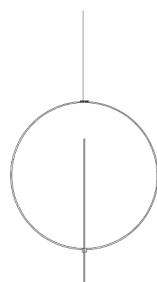
©2021 Flos - All rights reserved - www.flos.com
Flos reserves the right to introduce any changes to its own models, without prior notice.

OVERLAP S2 F4634009

EN

RF01089

4 MT STEEL WIRE Ø1,2 WITH 19 WINDED WIRES



Overlap
p.08



Ray S
p.09

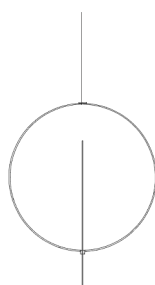
WARNING! When installing and whenever acting on the appliance, ensure that the power supply has been switched off. For the installation of the spare-part, it is necessary to consult a qualified electrician.

OVERLAP S2 F4634009

EN

RF29665

2,7 MT STEEL CABLE Ø1,2 WITH 19 WINDED WIRES



Overlap
p.09



Ray S
p.10



Smithfield
S
p.07



Smithfield
S Pro
p.07

WARNING! When installing and whenever acting on the appliance, ensure that the power supply has been switched off. For the installation of the spare-part, it is necessary to consult a qualified electrician.