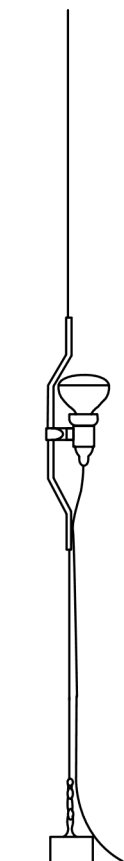


PARENTESI

Designed by Achille Castiglioni and Pio Manzù, 1971

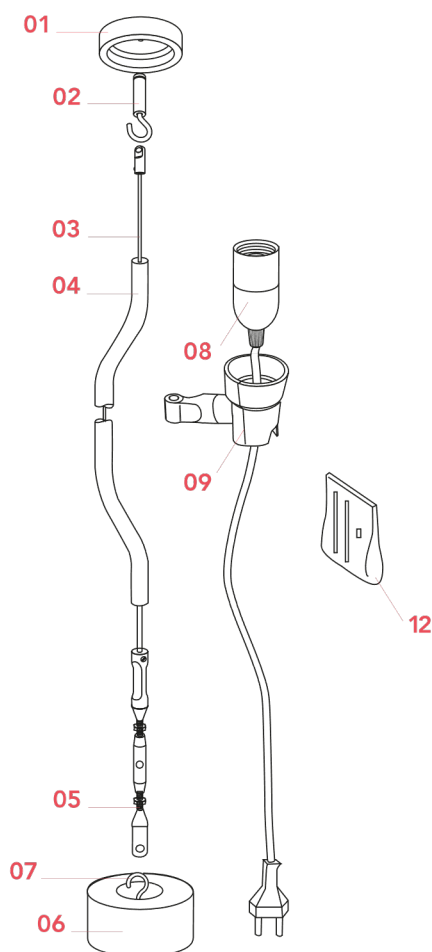
F5400058



PARENTESI

F5400058

EN



- 01. RF5400158 – Complete nickel rose
- 02. RF06745 – Open expansion hook
- 03. RF01442 – Steel cable 4 mt
- 03. RF01444 – Steel cable 6 mt.
- 04. RF02896 – Nickel tube
- 05. RF01438 – Turnbuckle with grub screw
- 06. RF02094 – Complete base
- 07. RF06747 – Hook + nut
- 08. RF04633 – On/Off switch electrical wiring
- 09. RF06068 – Rubber support group
- 12. RF5600200 – Kit with wire ties and screw

PARENTESI F5400058

EN

RF5400158

COMPLETE NICKEL ROSE



Parentesi
p.03



Parentesi D
p.03

WARNING! When installing and whenever acting on the appliance, ensure that the power supply has been switched off.
For the installation of the spare-part, it is necessary to consult a qualified electrician.

PARENTESI F5400058

EN

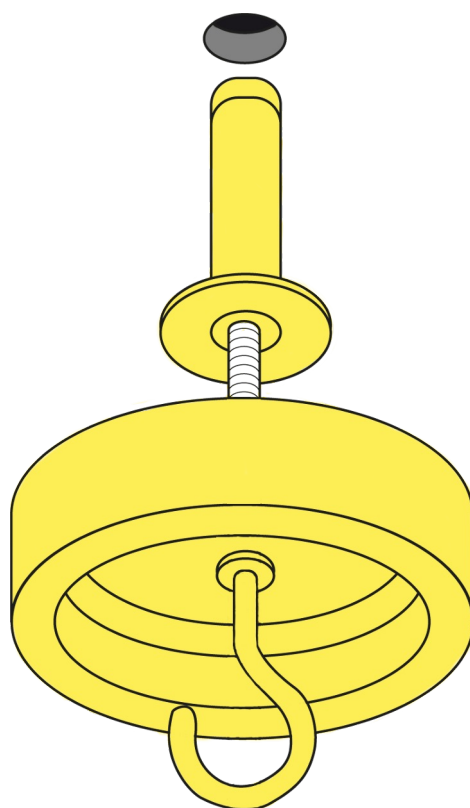
RF5400158
COMPLETE NICKEL ROSE

Fig.1

Unscrew hook from expansion bolt, pass the hook through ceiling rose.
drill a hole in the ceiling and insert the expansion bolt with hook.
Tighten the hook screw to fix the ceiling rose.

REMARKS! Select and employ screw plugs which are suited to the surface where the appliance is to be installed.

WARNING! When installing and whenever acting on the appliance, ensure that the power supply has been switched off.
For the installation of the spare-part, it is necessary to consult a qualified electrician.

©2021 Flos - All rights reserved - www.flos.com
Flos reserves the right to introduce any changes to its own models, without prior notice.

PARENTESI F5400058

EN

RF06745

OPEN EXPANSION HOOK



Parentesi
p.05



Parentesi D
p.05



Parentesi
50
p.05

WARNING! When installing and whenever acting on the appliance, ensure that the power supply has been switched off. For the installation of the spare-part, it is necessary to consult a qualified electrician.

PARENTESI F5400058

EN

RF06745

OPEN EXPANSION HOOK

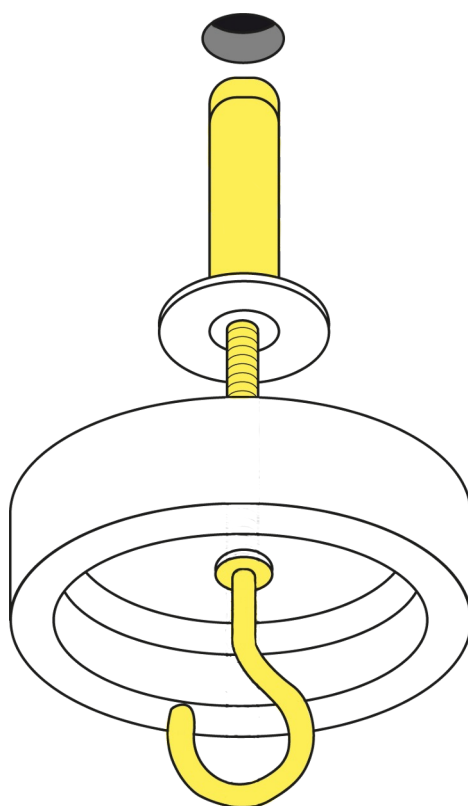


Fig.1

Unscrew hook from expansion bolt, pass the hook through ceiling rose.
drill a hole in the ceiling and insert the expansion bolt with hook.
Tighten the hook screw to fix the ceiling rose.

REMARKS! Select and employ screw plugs which are suited to the surface where the appliance is to be installed.

PARENTESI F5400058

EN

RF01442

STEEL CABLE 4 MT



Parentesi
p.07



Parentesi D
p.07



Parentesi
50
p.07

WARNING! When installing and whenever acting on the appliance, ensure that the power supply has been switched off.
For the installation of the spare-part, it is necessary to consult a qualified electrician.

PARENTESI F5400058

EN

RF01444

STEEL CABLE 6 MT



Parentesi
p.08



Parentesi D
p.08

WARNING! When installing and whenever acting on the appliance, ensure that the power supply has been switched off.
For the installation of the spare-part, it is necessary to consult a qualified electrician.

PARENTESI F5400058

EN

RF02896

NICKEL TUBE



Parentesi
p.09



Parentesi D
p.09

WARNING! When installing and whenever acting on the appliance, ensure that the power supply has been switched off.
For the installation of the spare-part, it is necessary to consult a qualified electrician.

PARENTESI F5400058

EN

RF02896

NICKEL TUBE

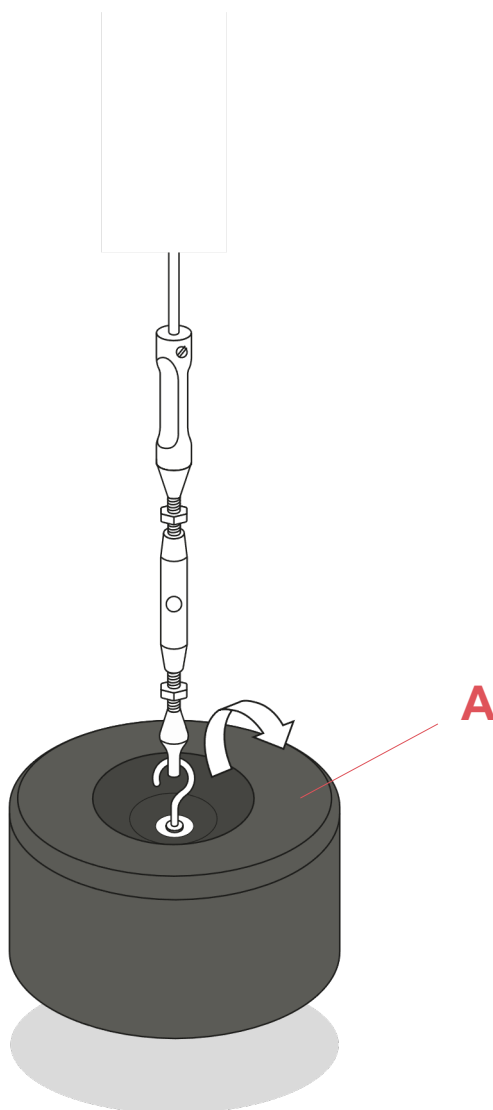


Fig.1

Unhook the counterweight (A) from the turnbuckle (B).
WARNING! Lifting up the counterweight will cause mechanical tension loss of the suspension wire, causing the tube and lamp support to fall down.

WARNING! When installing and whenever acting on the appliance, ensure that the power supply has been switched off.
For the installation of the spare-part, it is necessary to consult a qualified electrician.

PARENTESI F5400058

EN

RF02896

NICKEL TUBE

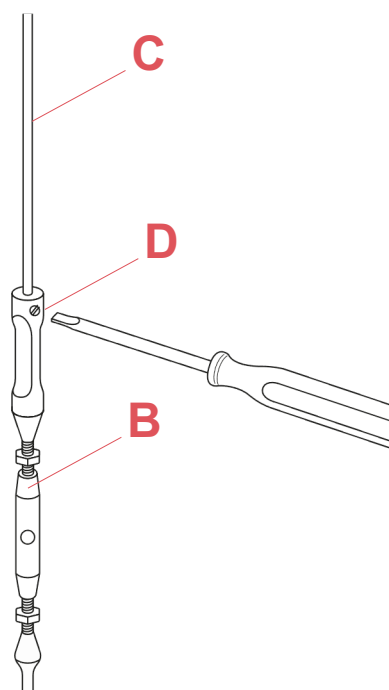


Fig.2

Remove the turnbuckle (B) from the suspension cable by unfastening the locking screw (C).

WARNING! When installing and whenever acting on the appliance, ensure that the power supply has been switched off. For the installation of the spare-part, it is necessary to consult a qualified electrician.

PARENTESI F5400058

EN

RF02896

NICKEL TUBE

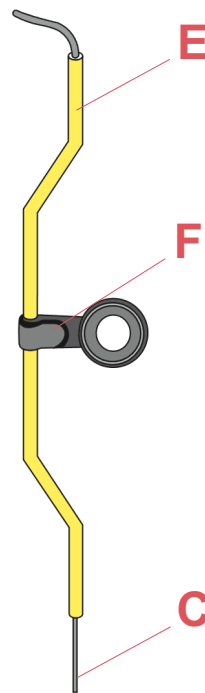


Fig.3

Slide off the suspension cable (C), the damaged Parentesi tube (E) and the rubber support (F).

Take off the rubber support (F).

Take off the rubber support (F) from the damaged Parentesi tube (E).

Assemble now the new spare-part:

Slide the rubber support (F) through the new Parentesi tube (E).

Insert and slide the suspension cable (C) through the Parentesi tube (E).

Insert the end point of the steel suspension cable (C) into the upper hole of the turnbuckle (B) and then fasten the locking screw (D). (Fig.2 page 11)

Hook the turnbuckle (B) to the counterweight (A).

Regulate the turnbuckle (B) in a way that the counterweight (A) almost touches the floor and then fasten the locking bolts.

Verify that the suspension wire is perpendicular.

WARNING! Lifting up the counterweight will cause mechanical tension loss of the suspension wire, causing the tube and lamp support to fall down. (Fig.1 page 10)

WARNING! When installing and whenever acting on the appliance, ensure that the power supply has been switched off. For the installation of the spare-part, it is necessary to consult a qualified electrician.

PARENTESI F5400058

EN

RF02896

NICKEL TUBE

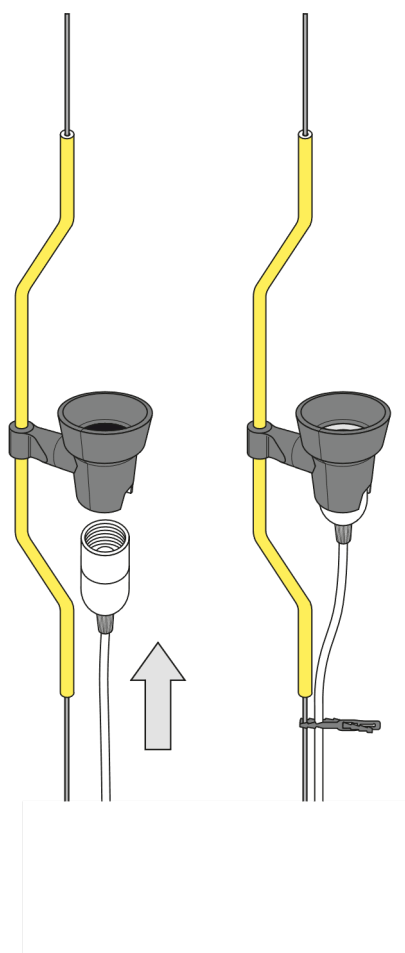


Fig.4

Pass through the hard rubber support the lamp holder push it to the limit of the cooling fins.

WARNING! Whilst installing the lamp-bulb ensure that the lamp bulb neck, sticks out from the rubber support. The bulb of the lamp must not be attached to the rubber support.

WARNING! When installing and whenever acting on the appliance, ensure that the power supply has been switched off. For the installation of the spare-part, it is necessary to consult a qualified electrician.

PARENTESI F5400058

EN

RF01438

TURNBUCKLE WITH GRUB SCREW



Parentesi
p.14



Parentesi D
p.14



Parentesi
50
p.13

WARNING! When installing and whenever acting on the appliance, ensure that the power supply has been switched off. For the installation of the spare-part, it is necessary to consult a qualified electrician.

PARENTESI F5400058

EN

RF01438

TURNBUCKLE WITH GRUB SCREW

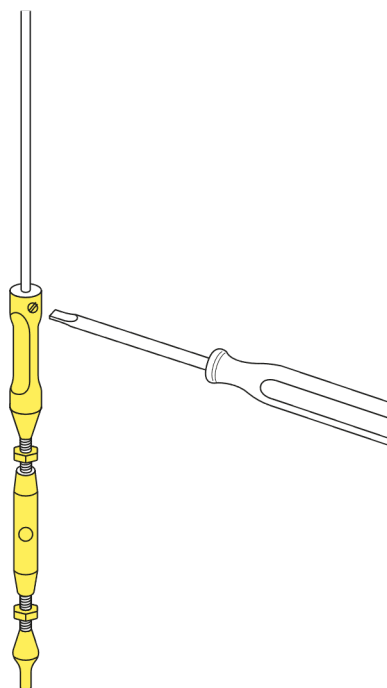


Fig.1

Insert the end point of the steel cable into the upper hole of the turnbuckle and then fasten the locking screw.

WARNING! When installing and whenever acting on the appliance, ensure that the power supply has been switched off. For the installation of the spare-part, it is necessary to consult a qualified electrician.

PARENTESI F5400058

EN

RF01438

TURNBUCKLE WITH GRUB SCREW

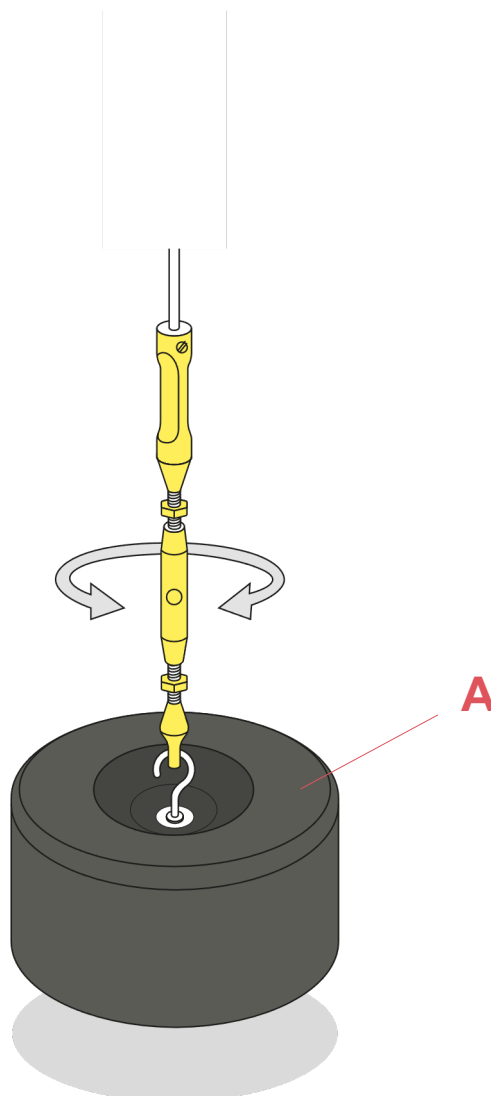


Fig.2

Hook the turnbuckle to the counterweight (A).
Regulate the turnbuckle in a way that the counterweight (A) almost touches the floor and then fasten the locking bolts.
Verify that the suspension wire is perpendicular.

WARNING! Lifting up the counterweight will cause mechanical tension loss of the suspension wire, causing the tube and lamp support to fall down.

WARNING! When installing and whenever acting on the appliance, ensure that the power supply has been switched off.
For the installation of the spare-part, it is necessary to consult a qualified electrician.

©2021 Flos - All rights reserved - www.flos.com
Flos reserves the right to introduce any changes to its own models, without prior notice.

PARENTESI F5400058

EN

RF02094

BASE (COUNTERWEIGHT)



Parentesi
p.17



Parentesi D
p.17

WARNING! When installing and whenever acting on the appliance, ensure that the power supply has been switched off.
For the installation of the spare-part, it is necessary to consult a qualified electrician.

PARENTESI F5400058

EN

RF02094

BASE (COUNTERWEIGHT)

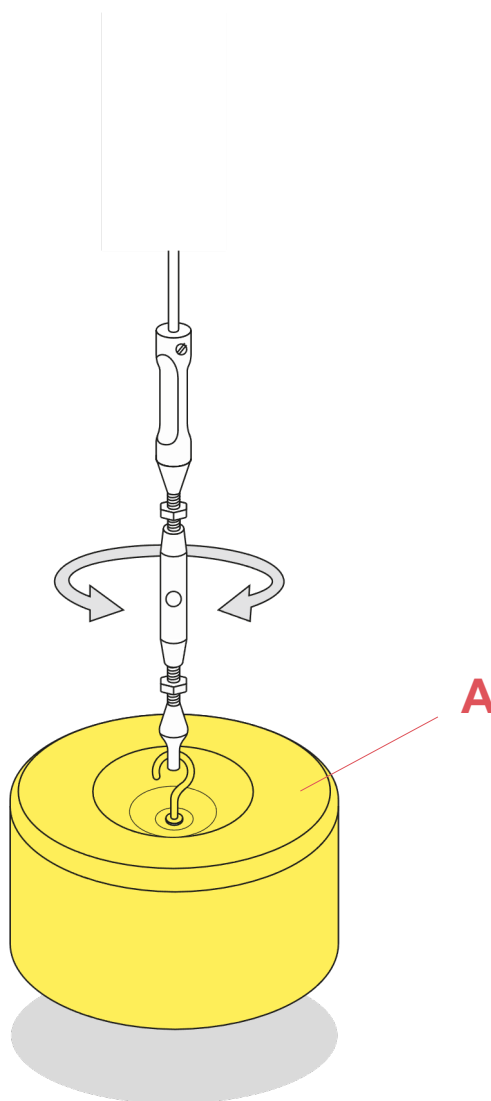


Fig.1

Hook the turnbuckle to the counterweight (A).
Regulate the turnbuckle in a way that the counterweight (A) almost touches the floor and then fasten the locking bolts.
Verify that the suspension wire is perpendicular.

WARNING! Lifting up the counterweight will cause mechanical tension loss of the suspension wire, causing the tube and lamp support to fall down.

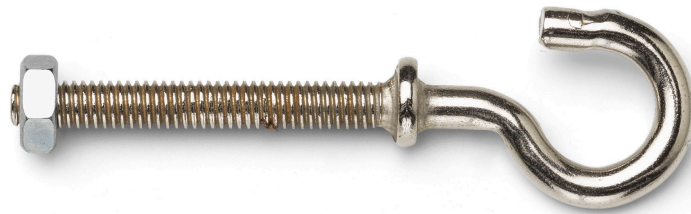
WARNING! When installing and whenever acting on the appliance, ensure that the power supply has been switched off.
For the installation of the spare-part, it is necessary to consult a qualified electrician.

PARENTESI F5400058

EN

RF06747

HOOK + NUT



WARNING! When installing and whenever acting on the appliance, ensure that the power supply has been switched off.
For the installation of the spare-part, it is necessary to consult a qualified electrician.

©2021 Flos - All rights reserved - www.flos.com
Flos reserves the right to introduce any changes to its own models, without prior notice.

PARENTESI F5400058

EN

RF06747

HOOK + NUT



Fig.1

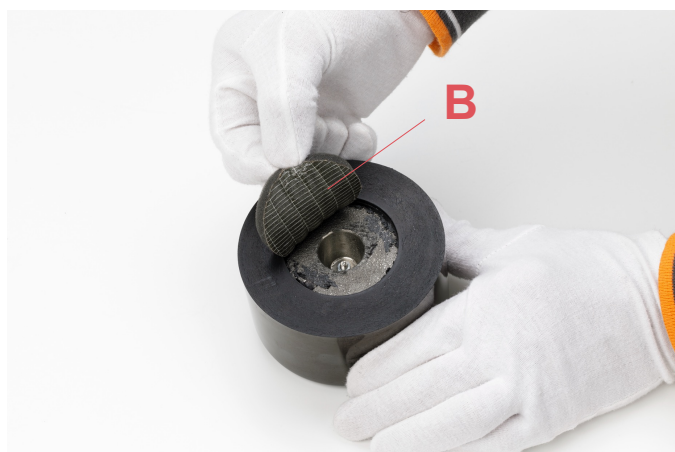


Fig.2

Remove the pad (B) from underneath the counterweight (A).

WARNING! When installing and whenever acting on the appliance, ensure that the power supply has been switched off. For the installation of the spare-part, it is necessary to consult a qualified electrician.

©2021 Flos - All rights reserved - www.flos.com
Flos reserves the right to introduce any changes to its own models, without prior notice.

PARENTESI F5400058

EN

RF06747

HOOK + NUT



Fig.3



Fig.4



Fig.5

By utilizing a pair of pliers (C), unfasten the nut (D).

Remove the damage hook (E) from the counterweight (A).

WARNING! When installing and whenever acting on the appliance, ensure that the power supply has been switched off. For the installation of the spare-part, it is necessary to consult a qualified electrician.

PARENTESI F5400058

EN

RF06747

HOOK + NUT

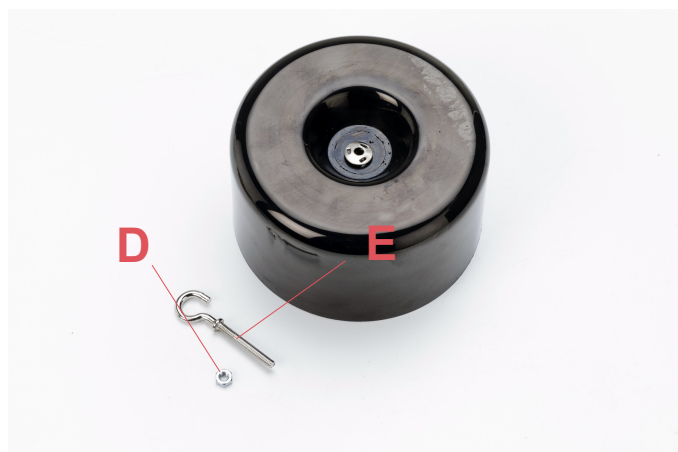


Fig.6



Fig.7

Assemble now the new spare-part:

Verify on the new spare part that the nut (D) is unfastened from the hook (E).
Insert the hook (E) through the counterweight (A).

WARNING! When installing and whenever acting on the appliance, ensure that the power supply has been switched off.
For the installation of the spare-part, it is necessary to consult a qualified electrician.

©2021 Flos - All rights reserved - www.flos.com
Flos reserves the right to introduce any changes to its own models, without prior notice.

PARENTESI F5400058

EN

RF06747

HOOK + NUT



Fig.8



Fig.9

Fasten the nut (D) by utilizing the pliers (C).
Glue the pad (B) and onto the counterweight (A).

WARNING! When installing and whenever acting on the appliance, ensure that the power supply has been switched off.
For the installation of the spare-part, it is necessary to consult a qualified electrician.

©2021 Flos - All rights reserved - www.flos.com
Flos reserves the right to introduce any changes to its own models, without prior notice.

PARENTESI F5400058

EN

RF06747

HOOK + NUT

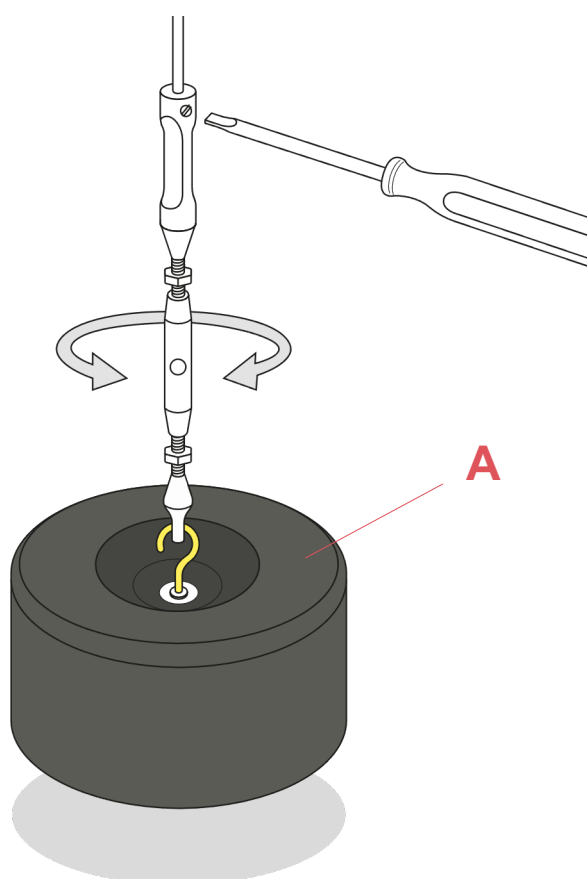


Fig.10

Hook the turnbuckle to the counterweight (A).

Regulate the turnbuckle in a way that the counterweight almost touches the floor and then fasten the locking bolts.

Verify that the suspension wire is perpendicular.

WARNING! Lifting up the counterweight will cause mechanical tension loss of the suspension wire, causing the tube and lamp support to fall down.

WARNING! When installing and whenever acting on the appliance, ensure that the power supply has been switched off. For the installation of the spare-part, it is necessary to consult a qualified electrician.

PARENTESI F5400058

EN

RF04633

ON/OFF SWITCH ELECTRICAL WIRING ASSEMBLY



WARNING! When installing and whenever acting on the appliance, ensure that the power supply has been switched off.
For the installation of the spare-part, it is necessary to consult a qualified electrician.

PARENTESI F5400058

EN

RF04633

ON/OFF SWITCH ELECTRICAL WIRING ASSEMBLY

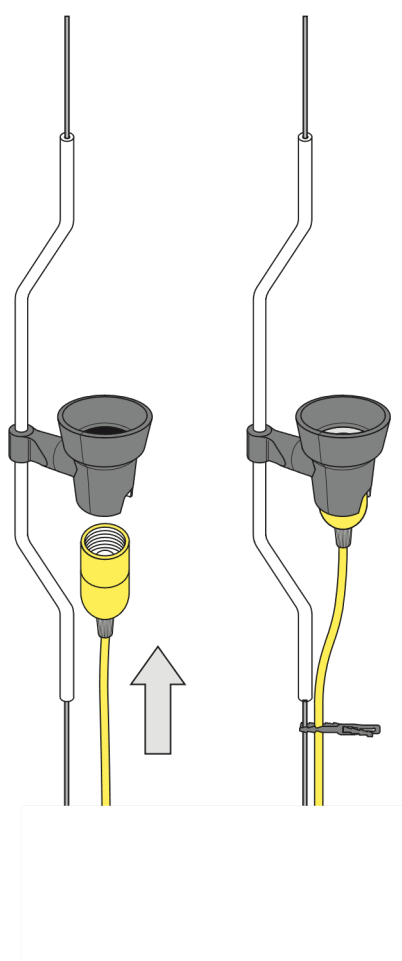


Fig.1

Pass through the hard rubber support the lamp holder push it to the limit of the cooling fins.

WARNING! Whilst installing the lamp-bulb ensure that the lamp bulb neck, sticks out from the rubber support. The bulb of the lamp must not be attached to the rubber support.

WARNING! When installing and whenever acting on the appliance, ensure that the power supply has been switched off. For the installation of the spare-part, it is necessary to consult a qualified electrician.

PARENTESI F5400058

EN

RF06068

RUBBER SUPPORT



Parentesi
p.27



Parentesi D
p.25



Parentesi
50
p.25

WARNING! When installing and whenever acting on the appliance, ensure that the power supply has been switched off. For the installation of the spare-part, it is necessary to consult a qualified electrician.

PARENTESI F5400058

EN

RF06068

RUBBER SUPPORT

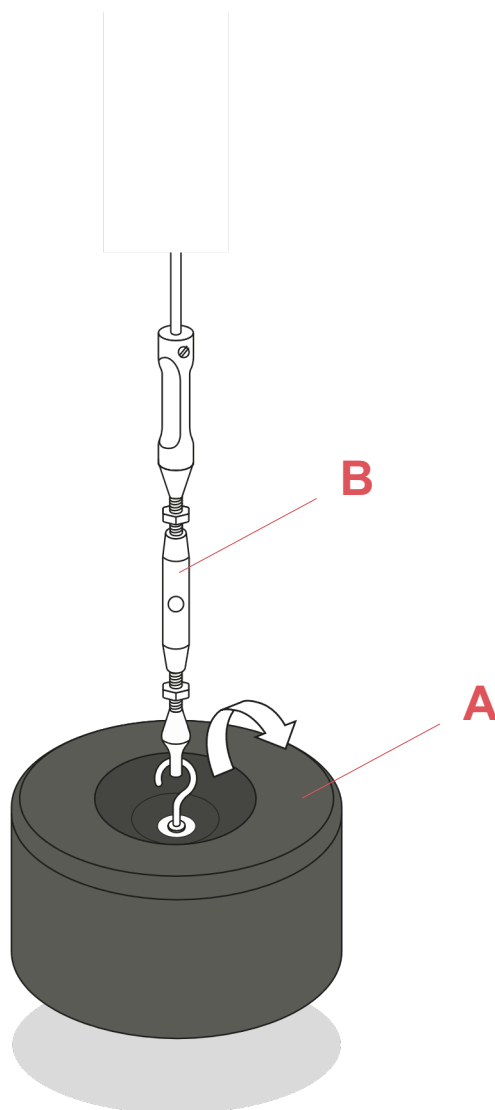


Fig.1

Unhook the counterweight (A) from the turnbuckle (B).
WARNING! Lifting up the counterweight will cause mechanical tension loss of the suspension wire, causing the tube and lamp support to fall down.

WARNING! When installing and whenever acting on the appliance, ensure that the power supply has been switched off.
For the installation of the spare-part, it is necessary to consult a qualified electrician.

PARENTESI F5400058

EN

RF06068

RUBBER SUPPORT

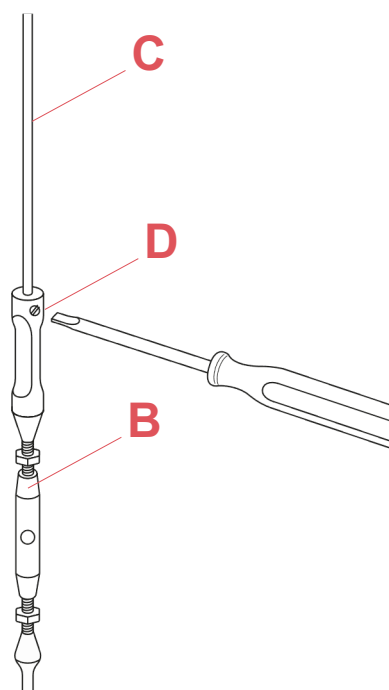


Fig.2

Remove the turnbuckle (B) from the suspension cable by unfastening the locking screw (C).

WARNING! When installing and whenever acting on the appliance, ensure that the power supply has been switched off. For the installation of the spare-part, it is necessary to consult a qualified electrician.

PARENTESI F5400058

EN

RF06068

RUBBER SUPPORT

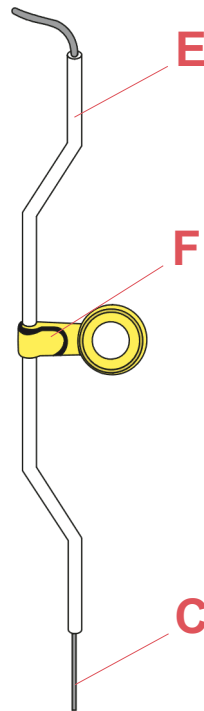


Fig.3

Slide off the suspension cable (C), the damaged Parentesi tube (E) and the rubber support (F).

Take off the rubber support (F) from the damage Parentesi tube (E).

Assemble now the new spare-part:

Slide the rubber support (F) through the new Parentesi tube (E).

Insert and slide the suspension cable (C) through the Parentesi tube (E).

Insert the end point of the steel suspension cable (C) into the upper hole of the turnbuckle (B) and then fasten the locking screw (D). (Fig.2 page 29)

Hook the turnbuckle (B) to the counterweight (A).

Regulate the turnbuckle (B) in a way that the counterweight (A) almost touches the floor and then fasten the locking bolts.

Verify that the suspension wire is perpendicular.

WARNING! Lifting up the counterweight will cause mechanical tension loss of the suspension wire, causing the tube and lamp support to fall down. (Fig.1 page 28)

WARNING! When installing and whenever acting on the appliance, ensure that the power supply has been switched off. For the installation of the spare-part, it is necessary to consult a qualified electrician.

PARENTESI F5400058

EN

RF06068

RUBBER SUPPORT

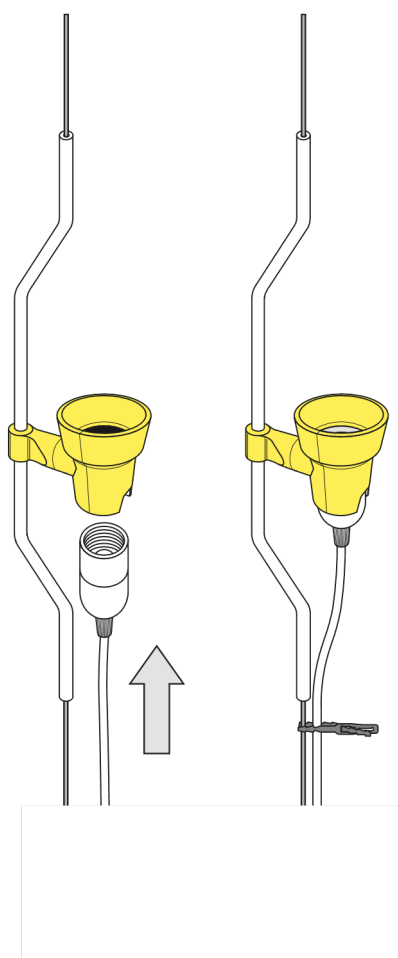


Fig.4

Pass through the hard rubber support the lamp holder push it to the limit of the cooling fins.

WARNING! Whilst installing the lamp-bulb ensure that the lamp bulb neck, sticks out from the rubber support. The bulb of the lamp must not be attached to the rubber support.

WARNING! When installing and whenever acting on the appliance, ensure that the power supply has been switched off. For the installation of the spare-part, it is necessary to consult a qualified electrician.

PARENTESI F5400058

EN

RF5600200

KIT WIRE TIES AND SCREW



Parentesi
p.32



Parentesi D
p.36



Parentesi
50
p.36

WARNING! When installing and whenever acting on the appliance, ensure that the power supply has been switched off. For the installation of the spare-part, it is necessary to consult a qualified electrician.

PARENTESI F5400058

EN

RF5600200

KIT WIRE TIES AND SCREW

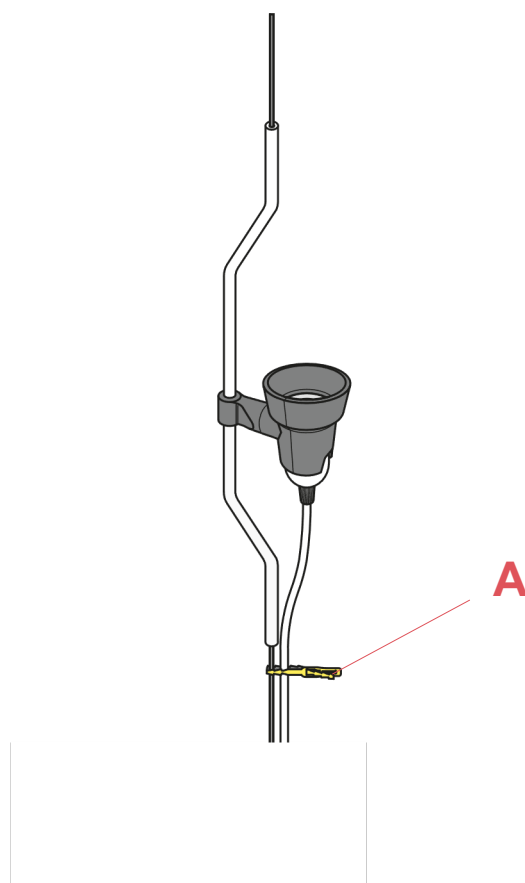


Fig.1

Install the wire tie (A) in a way that you keep together the electrical cable and tube.

WARNING! When installing and whenever acting on the appliance, ensure that the power supply has been switched off. For the installation of the spare-part, it is necessary to consult a qualified electrician.

PARENTESI F5400058

EN

RF5600200

KIT WIRE TIES AND SCREW

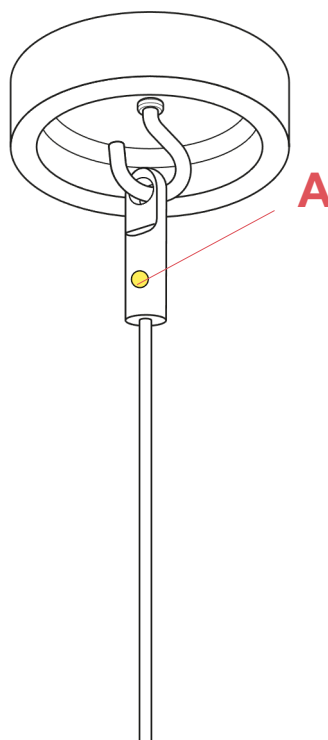


Fig.2

Fasten the screw (A) and slip the end of the steel cable on the hook.

WARNING! When installing and whenever acting on the appliance, ensure that the power supply has been switched off.
For the installation of the spare-part, it is necessary to consult a qualified electrician.

©2021 Flos - All rights reserved - www.flos.com
Flos reserves the right to introduce any changes to its own models, without prior notice.