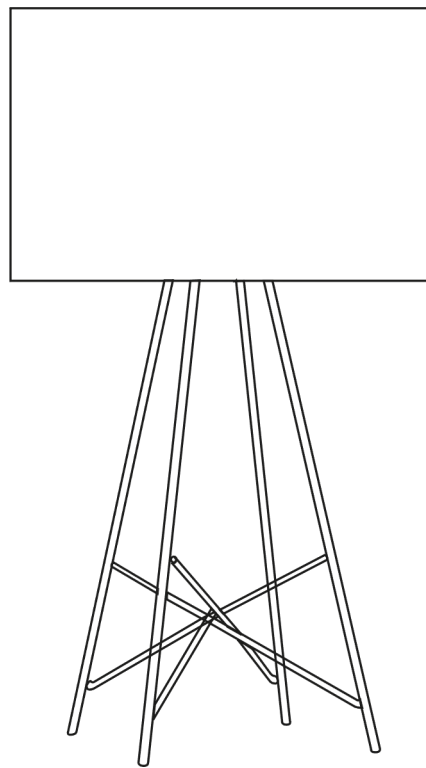


RAY T

Designed by Rodolfo Dordoni, 2007

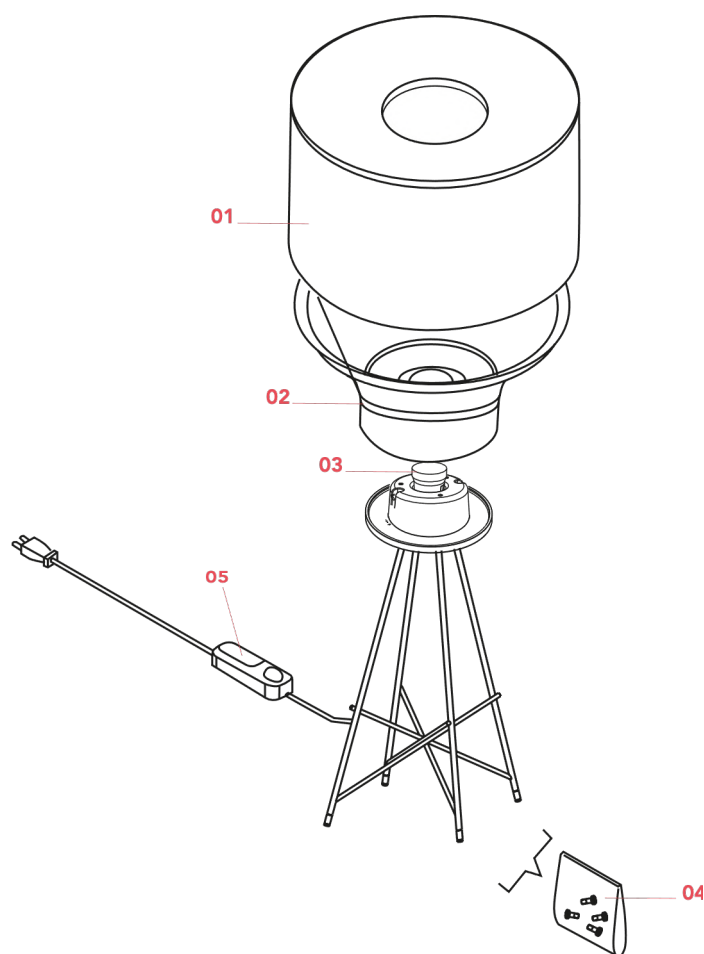
F5911009



RAY T

F5911009

EN



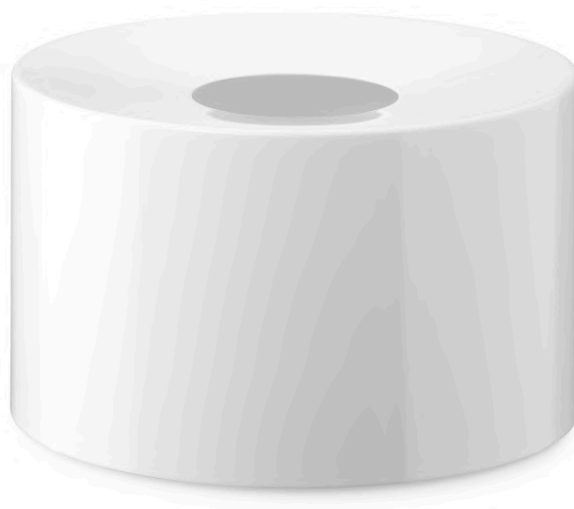
- 01. RF16085 – Polished white aluminium diffuser F1-T
- 02. RF15854 – F1-T Diffuser support
- 03. RF04487 – E27 620 Porcelain lamp holder
- 04. RF5912200 – Kit of quantity 4 adjustable feet
- 05. RF32262 – LED dimmer 1004P LFP100-240V 4-150WHL 4-25W

RAY T F5911009

EN

RF16085

F1-T DIFFUSER



Ray F1
p.03



Ray T
p.03

WARNING! When installing and whenever acting on the appliance, ensure that the power supply has been switched off.
For the installation of the spare-part, it is necessary to consult a qualified electrician.

RAY T F5911009

EN

RF16085

F1-T DIFFUSER

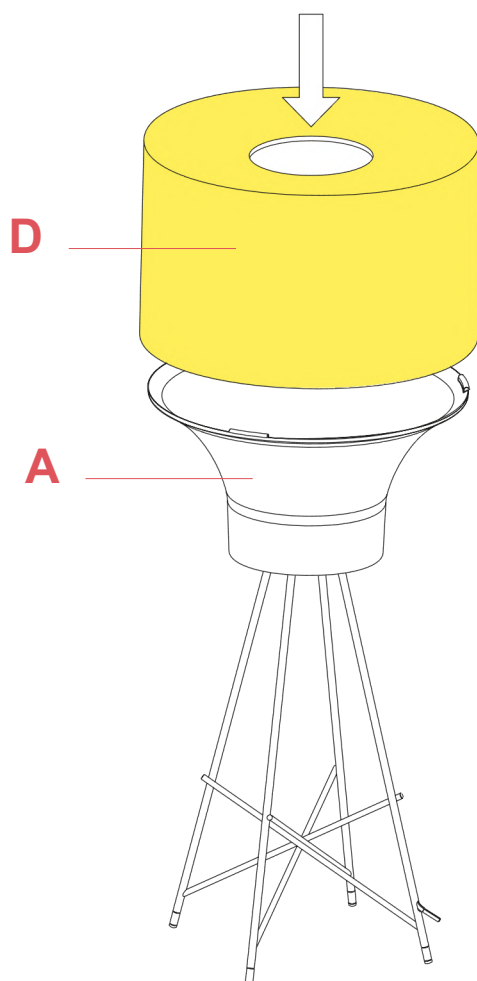


Fig.1

Position the diffuser (D) on the support (A).

WARNING! When installing and whenever acting on the appliance, ensure that the power supply has been switched off.
For the installation of the spare-part, it is necessary to consult a qualified electrician.

RAY T F5911009

EN

RF15854

F1-T DIFFUSER SUPPORT



Ray F1
p.05



Ray T
p.05

WARNING! When installing and whenever acting on the appliance, ensure that the power supply has been switched off.
For the installation of the spare-part, it is necessary to consult a qualified electrician.

RAY T F5911009

EN

RF15854

F1-T DIFFUSER SUPPORT

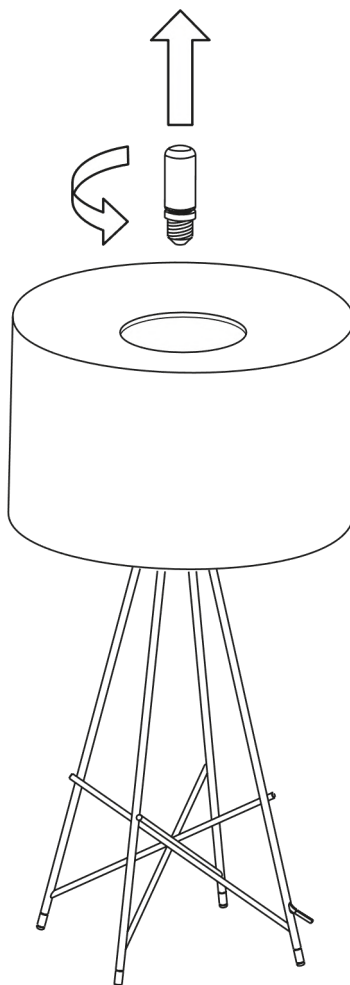


Fig.1

Verify that the lamp-bulb has been removed from the device.

WARNING! When installing and whenever acting on the appliance, ensure that the power supply has been switched off.
For the installation of the spare-part, it is necessary to consult a qualified electrician.

RAY T F5911009

EN

RF15854

F1-T DIFFUSER SUPPORT

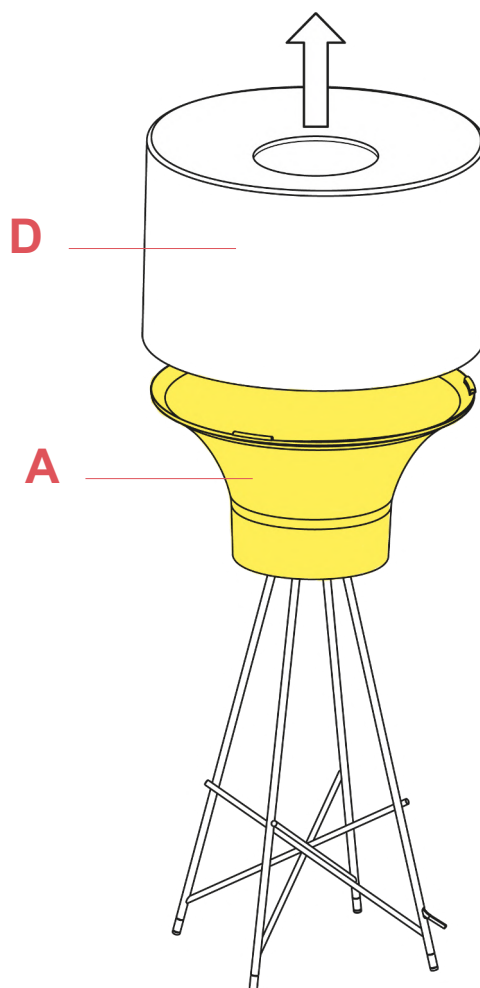


Fig.2

Remove the diffuser (D) from its support (A).

WARNING! When installing and whenever acting on the appliance, ensure that the power supply has been switched off.
For the installation of the spare-part, it is necessary to consult a qualified electrician.

RAY T F5911009

EN

RF15854

F1-T DIFFUSER SUPPORT

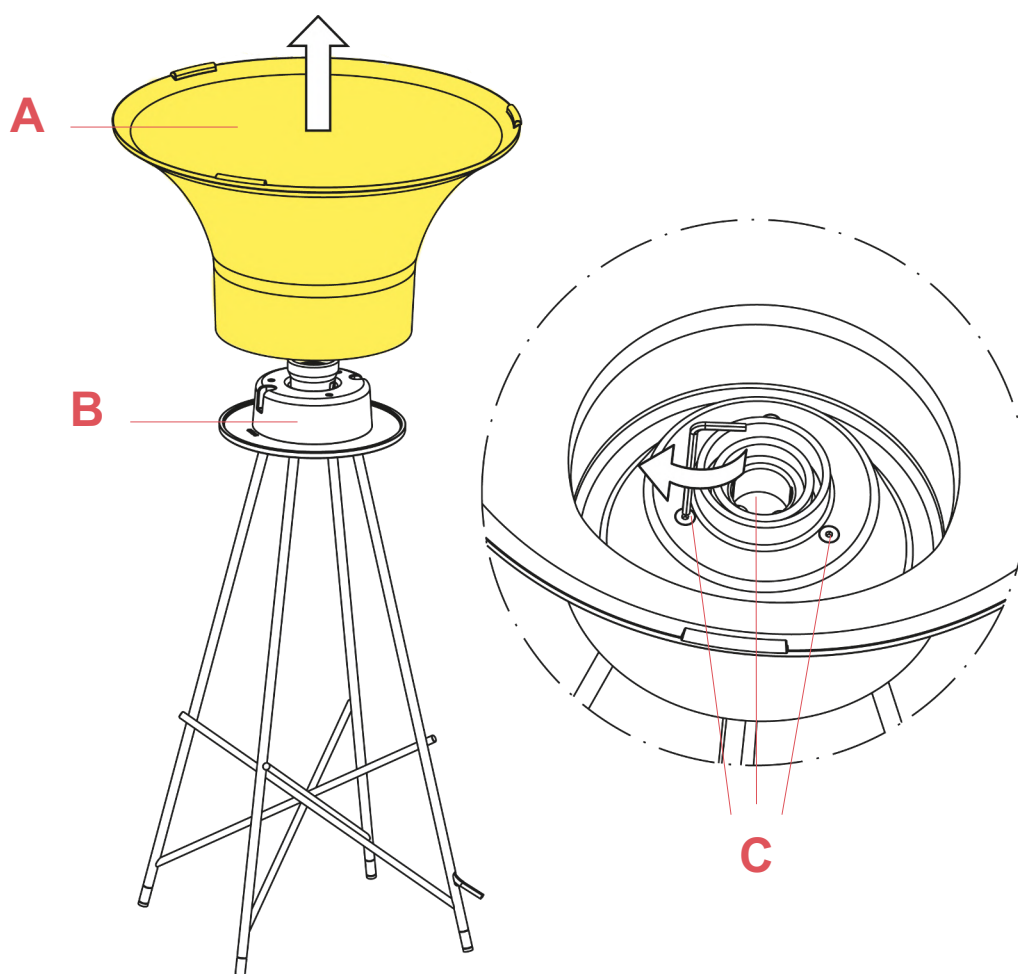


Fig.3

Unfasten the three screws (C) inside the diffuser support (A), by utilizing an Allen key and then remove the diffuser support (A) from the unit (B).

Assemble now the new spare-part:

Assemble the diffuser support (A) on the unit (B) by fastening the screws (C).

Collocate the diffuser (D) on the diffuser support (A).(Fig.2 page 7)

Insert the lamp-bulb.(Fig.1 page 6)

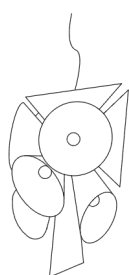
WARNING! When installing and whenever acting on the appliance, ensure that the power supply has been switched off. For the installation of the spare-part, it is necessary to consult a qualified electrician.

RAY T F5911009

EN

RF04487

PORCELAIN E27 LAMP HOLDER



Nebula
p.03



Ray F1
p.09



Ray F2
p.09



Ray T
p.09



Tatou
S2
p.16

WARNING! When installing and whenever acting on the appliance, ensure that the power supply has been switched off.
For the installation of the spare-part, it is necessary to consult a qualified electrician.

RAY T F5911009

EN

RF04487

PORCELAIN E27 LAMP HOLDER

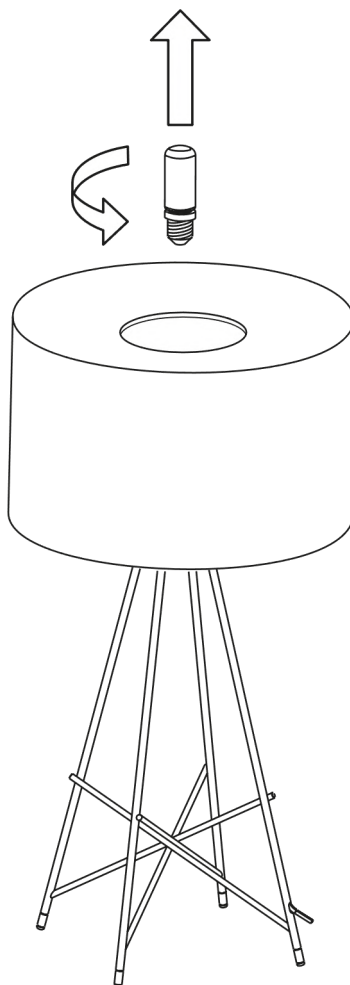


Fig.1

Verify that the lamp-bulb has been removed from the device.

WARNING! When installing and whenever acting on the appliance, ensure that the power supply has been switched off.
For the installation of the spare-part, it is necessary to consult a qualified electrician.

©2021 Flos - All rights reserved - www.flos.com
Flos reserves the right to introduce any changes to its own models, without prior notice.

RAY T F5911009

EN

RF04487

PORCELAIN E27 LAMP HOLDER

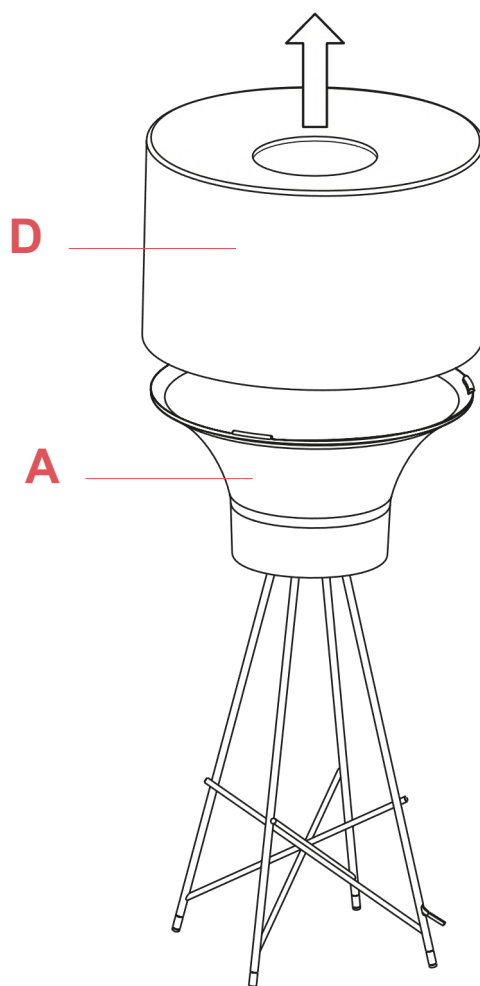


Fig.2

Remove the diffuser (D) from its support (A).

WARNING! When installing and whenever acting on the appliance, ensure that the power supply has been switched off.
For the installation of the spare-part, it is necessary to consult a qualified electrician.

RAY T F5911009

EN

RF04487

PORCELAIN E27 LAMP HOLDER

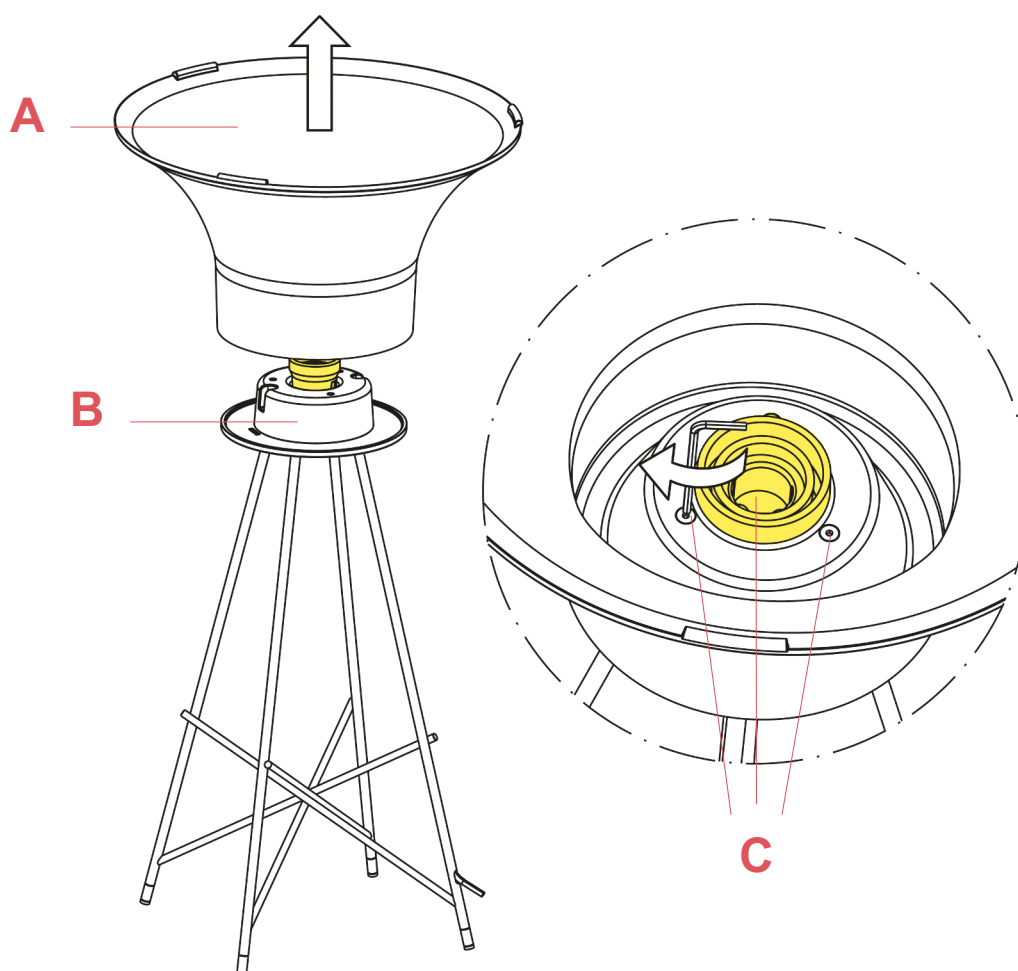


Fig.3

Unfasten the three screws (C) inside the diffuser support (A), by utilizing an Allen key and then remove the diffuser support (A) from the unit (B).

WARNING! When installing and whenever acting on the appliance, ensure that the power supply has been switched off. For the installation of the spare-part, it is necessary to consult a qualified electrician.

RAY T F5911009

EN

RF04487

PORCELAIN E27 LAMP HOLDER



Fig.4



Fig.5



Fig.6

Unfasten the two lateral screws (E) of the lamp holder protection cover.

Lift up the lamp holder protection cover and unfasten the screws (F) of the cable clamp.

Unfasten the lamp holder fixing screws (G).

WARNING! When installing and whenever acting on the appliance, ensure that the power supply has been switched off. For the installation of the spare-part, it is necessary to consult a qualified electrician.

RAY T F5911009

EN

RF04487

PORCELAIN E27 LAMP HOLDER



Fig.7

Disconnect the electrical wires (H) from the lamp holder terminals (I).

Assemble now the new spare-part:

Connect the electrical wires (H) of the lamp holder by respecting the polarities (I) indicated in correspondence of the connection terminal.

Connect the Brown (live) wire in the terminal indicated with "L" and then connect the Blue (neutral) wire in the other terminal indicated with "N".



Fig.8

Fasten the lamp holder fixing screws (G).(Fig.6 page 13)

Clamp the cable by fastening the screws (F) of the cable clamp.(Fig.5 page 13)

Assemble the protection cover by fastening the two lateral screws (E).(Fig.4 page 13)

Collocate the diffuser (D) on the diffuser support (A).(Fig.2 page 11)

Insert the lamp-bulb. (Fig.1 page 10)

WARNING! When installing and whenever acting on the appliance, ensure that the power supply has been switched off. For the installation of the spare-part, it is necessary to consult a qualified electrician.

RAY T F5911009

EN

RF5912200

KIT OF QUANTITY 4 ADJUSTABLE FEET



WARNING! When installing and whenever acting on the appliance, ensure that the power supply has been switched off.
For the installation of the spare-part, it is necessary to consult a qualified electrician.

©2021 Flos - All rights reserved - www.flos.com
Flos reserves the right to introduce any changes to its own models, without prior notice.

RAY T F5911009

EN

RF5912200

KIT OF QUANTITY 4 ADJUSTABLE FEET

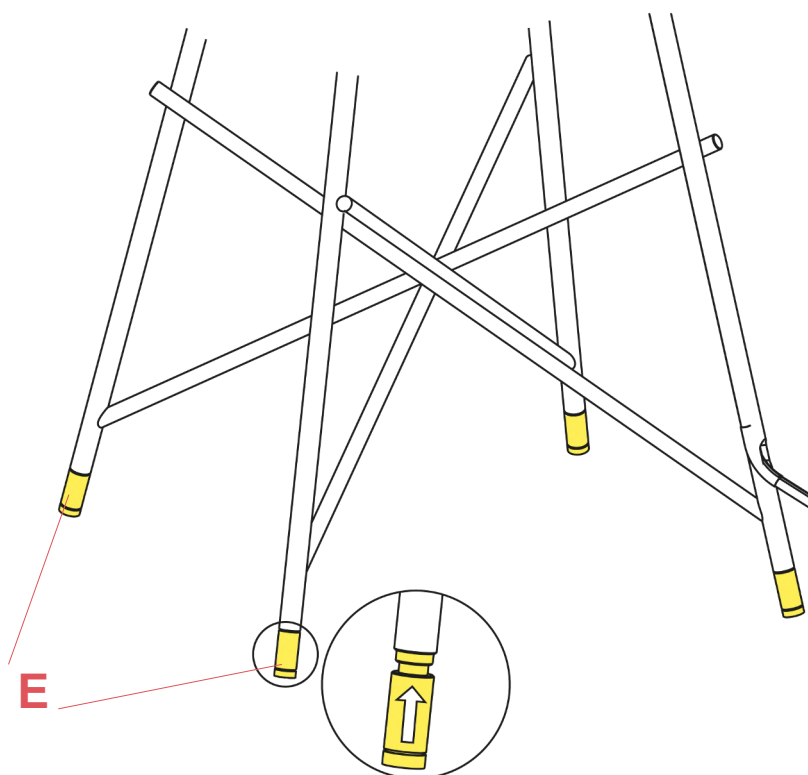


Fig.1

Screw the adjustable feet (E) to the lamp legs.

WARNING! When installing and whenever acting on the appliance, ensure that the power supply has been switched off.
For the installation of the spare-part, it is necessary to consult a qualified electrician.

RAY T F5911009

EN

RF32262

LED DIMMER 1004P LFP100-240V 4-150WHL



Bedside
Gun
p.12



Chiara T
p.03



Glo-ball
Basic 0
p.11



Glo-ball
Basic 1
p.14



Glo-ball
Basic 2
p.05



Glo-ball
T1
p.11



Ic T1
High
p.08



Ic T1
Low
p.08



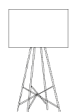
Ic T2
p.08



Ktribe T1
p.05



Ktribe T2
p.05



Ray T
p.17



Romeo
Moon
T1
p.32



Romeo
Soft T1
p.32



Spun
Light
T1
p.12



Spun
Light
T2
p.12



Table
Gun
p.12

WARNING! When installing and whenever acting on the appliance, ensure that the power supply has been switched off.
For the installation of the spare-part, it is necessary to consult a qualified electrician.

RAY T F5911009

EN

RF32262

LED DIMMER 1004P LFP100-240V 4-150WHL



Fig.1



Fig.2

Open the dimmer box of the damaged dimmer.
For the opening, it is necessary to remove the n°2 screws using a star screw driver.

Lift-up the dimmer casing from the dimmer base;

WARNING! When installing and whenever acting on the appliance, ensure that the power supply has been switched off.
For the installation of the spare-part, it is necessary to consult a qualified electrician.

RAY T F5911009

EN

RF32262

LED DIMMER 1004P LFP100-240V 4-150WHL



Fig.3

Remove the cable clamps by unfastening the 4 screws (A) and disconnect the wires from the terminal blocks through a tiny flat headed screw driver;

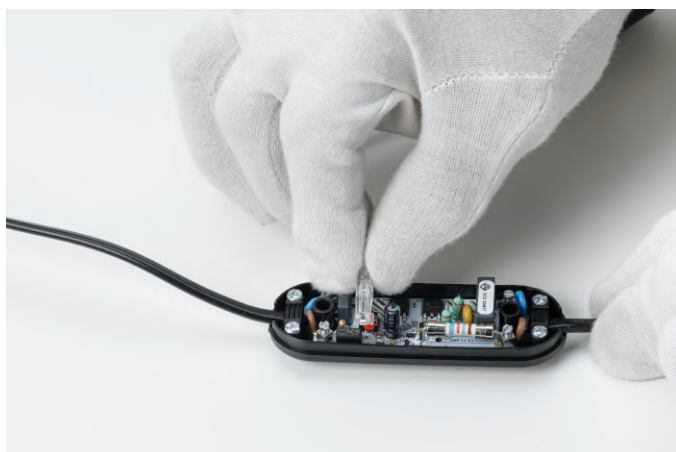


Fig.4

Replace the dimmer and connect the wires. When connecting the wires it is necessary to respect the polarities (L = Brown and N = Blue) to the terminal box.

Lock the electrical cables by fastening the screws (A) of the cable clamps and make sure to block the isolation of the electrical cable.

WARNING! When installing and whenever acting on the appliance, ensure that the power supply has been switched off. For the installation of the spare-part, it is necessary to consult a qualified electrician.

RAY T F5911009

EN

RF32262

LED DIMMER 1004P LFP100-240V 4-150WHL



Fig.5



Fig.6

Close the dimmer box.
It is necessary to place the casing on top and press down until it locks in.
it is necessary to insert the n°2 screws using a star screw driver.

WARNING! When installing and whenever acting on the appliance, ensure that the power supply has been switched off.
For the installation of the spare-part, it is necessary to consult a qualified electrician.

©2021 Flos - All rights reserved - www.flos.com
Flos reserves the right to introduce any changes to its own models, without prior notice.