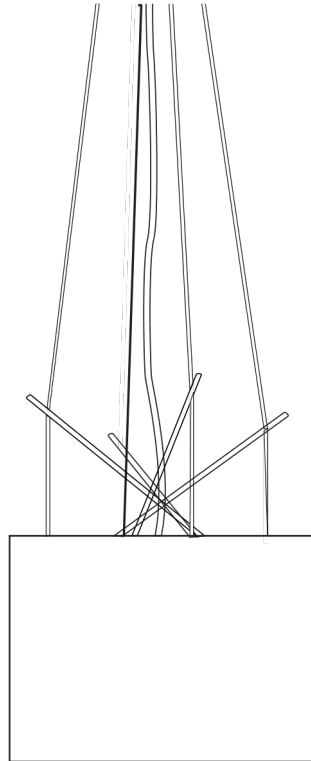


RAY S

Designed by Rodolfo Dordoni, 2007

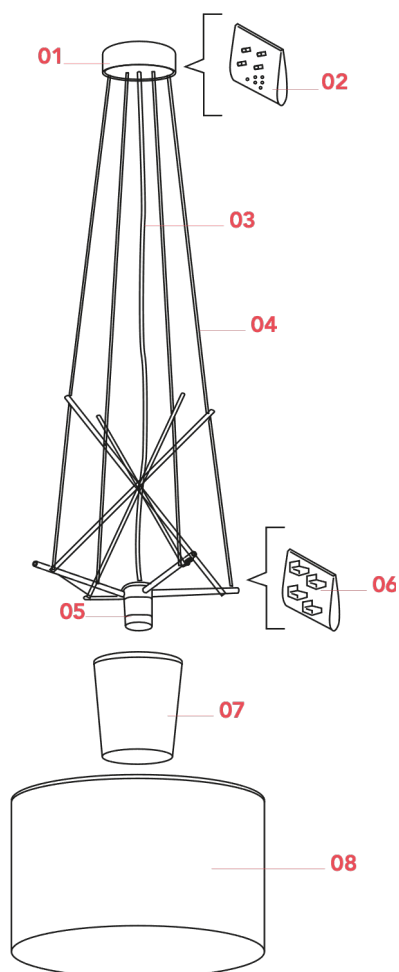
F5930020



RAY S

F5930020

EN



- 01. RF5931100 – Ceiling rose assembly
- 02. RF6110800 – Kit with brass wire clamps and screws
- 03. RF4190200 – 5mt Sil/Fep transparent cable 2x0,75
- 04. RF01089 – 4mt steel wire Ø1,2mm with 19 winded wires
- 04. RF29665 – 2,7mt steel wire Ø1,2 mm with 19 winded wires
- 05. RF10346 – E27 ceramic lamp holder
- 06. RF16978 – Transparent external diffuser supports
- 07. RF5931200 – Internal diffuser assembly
- 08. F5923020 – Grey F2-S glass diffuser

RAY S F5930020

EN

RF5931100

CEILING ROSE ASSEMBLY



WARNING! When installing and whenever acting on the appliance, ensure that the power supply has been switched off.
For the installation of the spare-part, it is necessary to consult a qualified electrician.

©2021 Flos - All rights reserved - www.flos.com
Flos reserves the right to introduce any changes to its own models, without prior notice.

RAY S F5930020

EN

RF5931100

CEILING ROSE ASSEMBLY

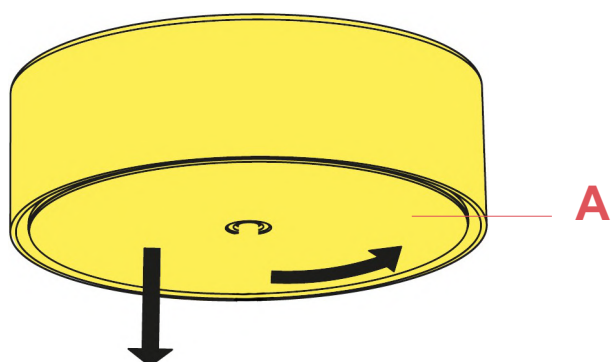


Fig.1

Disassemble the rose cover (A), by rotating it counterclockwise.

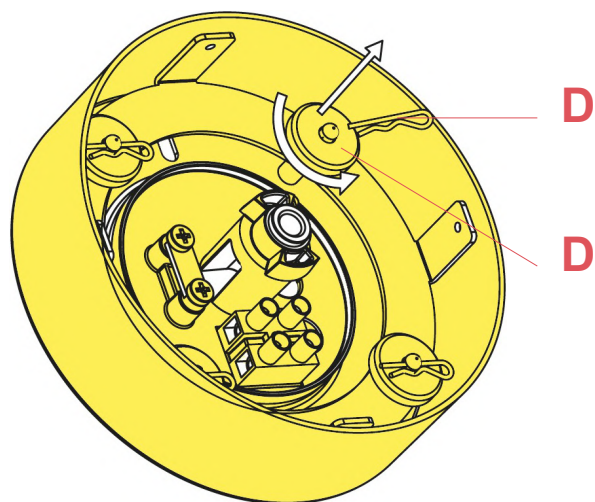


Fig.2

Remove the safety cotter pins (D) and unscrew the milled nuts (E).

WARNING! When installing and whenever acting on the appliance, ensure that the power supply has been switched off. For the installation of the spare-part, it is necessary to consult a qualified electrician.

RAY S F5930020

EN

RF5931100

CEILING ROSE ASSEMBLY

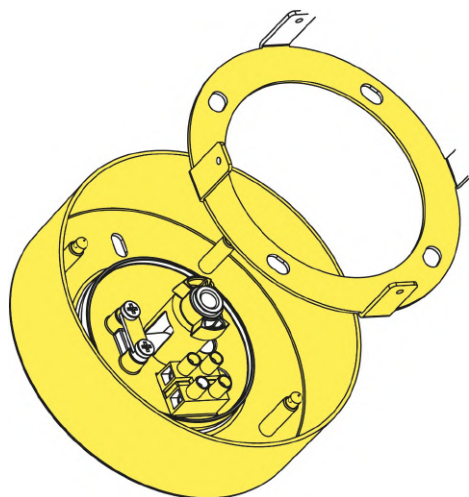


Fig.3

Separate the balancing ring (F) from the wall attachment (G).

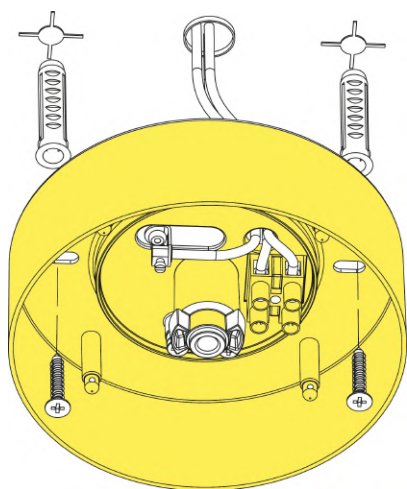


Fig.4

Fix the ceiling attachment (G) to the ceiling, ensuring that the wires from the ceiling are inserted through the relevant hole present on the ceiling attachment. Connect the electrical wires to the terminal (C) and to the earth terminal (H).

REMARKS! Select and utilize screw plugs which are suitable for the surface where the assembly is to be installed.

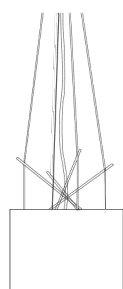
WARNING! When installing and whenever acting on the appliance, ensure that the power supply has been switched off. For the installation of the spare-part, it is necessary to consult a qualified electrician.

RAY S F5930020

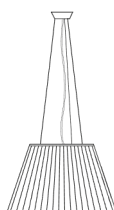
EN

RF6110800

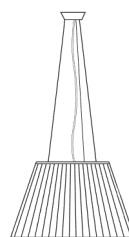
KIT WITH BRASS WIRE CLAMPS AND SCREWS



Ray S1
p.06



Romeo
Moon S1
p.06



Romeo
Moon S2
p.06

WARNING! When installing and whenever acting on the appliance, ensure that the power supply has been switched off. For the installation of the spare-part, it is necessary to consult a qualified electrician.

RAY S F5930020

EN

RF6110800

KIT WITH BRASS WIRE CLAMPS AND SCREWS

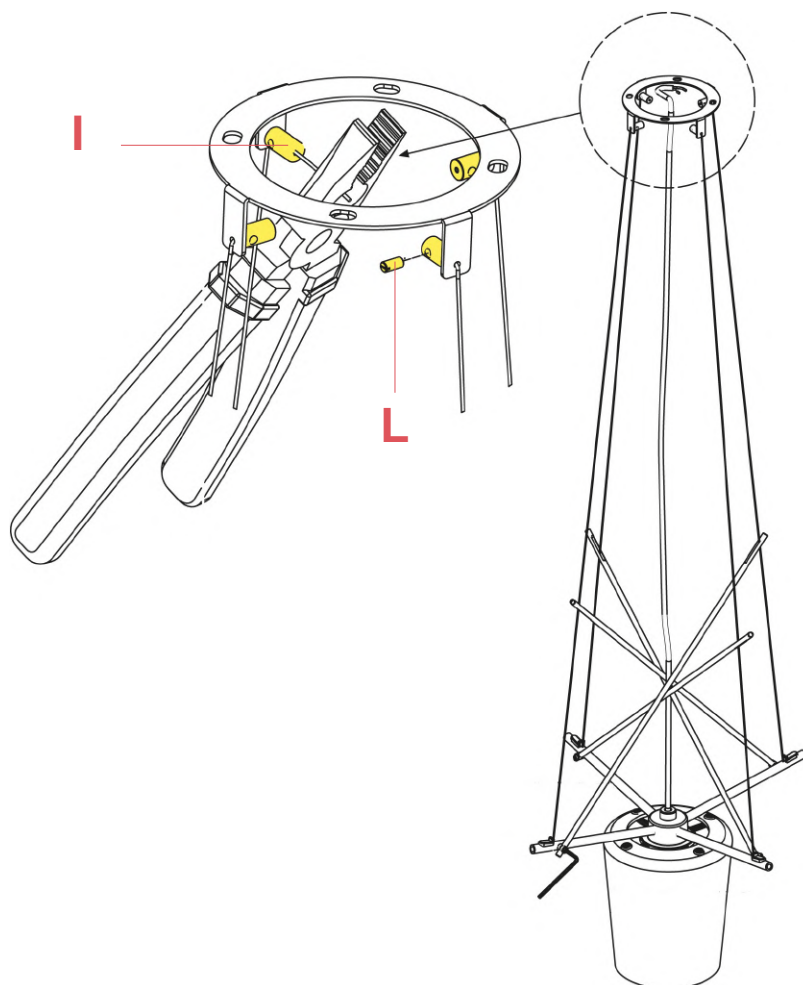


Fig.1

Insert the steel wires through the relevant cable-clamps (I) of the control ring, as shown in the image.
Adjust them to the desired length and cut off any excess. Fix in place by tightening the screws (L).

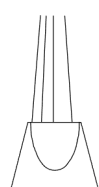
WARNING! When installing and whenever acting on the appliance, ensure that the power supply has been switched off.
For the installation of the spare-part, it is necessary to consult a qualified electrician.

RAY S F5930020

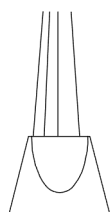
EN

RF4190200

5 METER SIL/FEP 2X0,75 TRANSPARENT ELECTRICAL CABLE



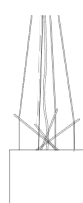
Ktribe S2
p.06



Ktribe S3
p.06



Mini
Glo-Ball
S
p.07



Ray S
p.08



Romeo
Babe
p.08



Romeo
Babe Soft
S
p.08

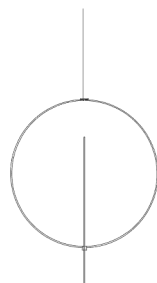
WARNING! When installing and whenever acting on the appliance, ensure that the power supply has been switched off. For the installation of the spare-part, it is necessary to consult a qualified electrician.

RAY S F5930020

EN

RF01089

4MT STEEL WIRE Ø1,2 WITH 19 WINDED WIRES



Overlap
p.08



Ray S
p.09

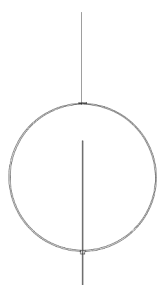
WARNING! When installing and whenever acting on the appliance, ensure that the power supply has been switched off. For the installation of the spare-part, it is necessary to consult a qualified electrician.

RAY S F5930020

EN

RF29665

2,7 MT STEEL CABLE Ø1,2 WITH 19 WINDED WIRES



Overlap
p.09



Ray S
p.10



Smithfield
S
p.07



Smithfield
S Pro
p.07

WARNING! When installing and whenever acting on the appliance, ensure that the power supply has been switched off. For the installation of the spare-part, it is necessary to consult a qualified electrician.

RAY S F5930020

EN

RF10346

CERAMIC LAMP HOLDER E27



WARNING! When installing and whenever acting on the appliance, ensure that the power supply has been switched off.
For the installation of the spare-part, it is necessary to consult a qualified electrician.

©2021 Flos - All rights reserved - www.flos.com
Flos reserves the right to introduce any changes to its own models, without prior notice.

RAY S F5930020

EN

RF16978

TRANSPARENT EXTERNAL DIFFUSER SUPPORT



WARNING! When installing and whenever acting on the appliance, ensure that the power supply has been switched off.
For the installation of the spare-part, it is necessary to consult a qualified electrician.

©2021 Flos - All rights reserved - www.flos.com
Flos reserves the right to introduce any changes to its own models, without prior notice.

RAY S F5930020

EN

RF16978

TRANSPARENT EXTERNAL DIFFUSER SUPPORT

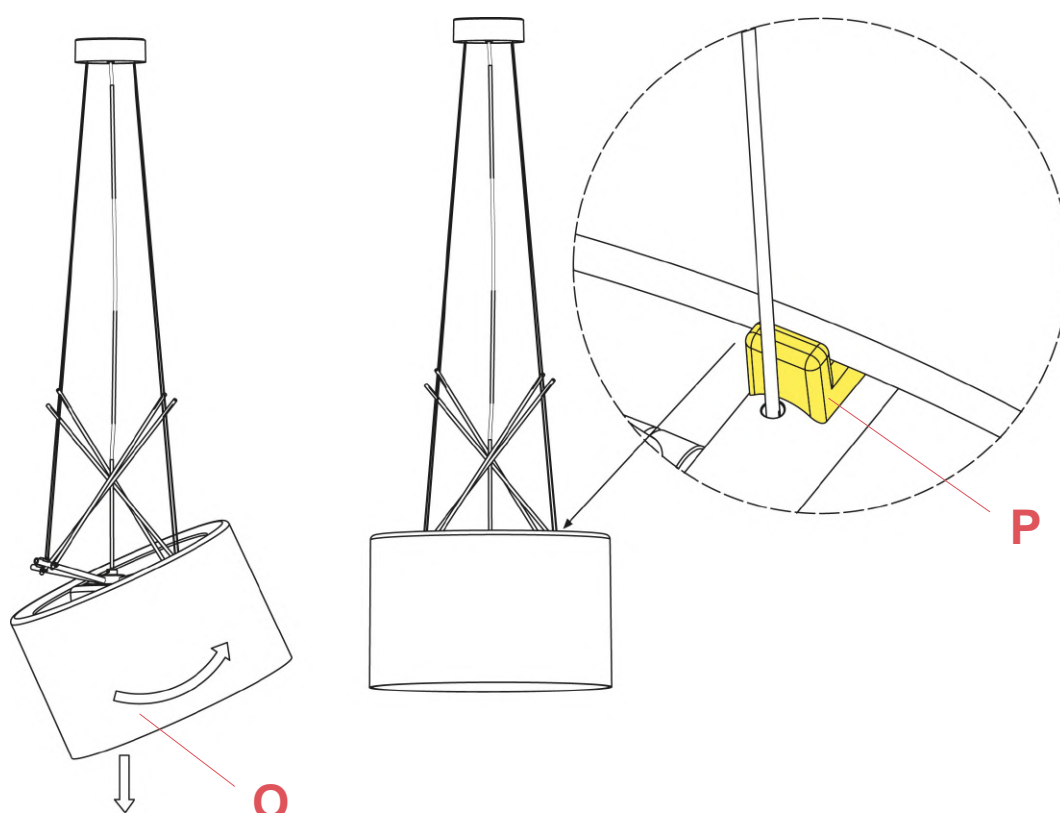


Fig.1

Remove the diffuser (O) and replace all the transparent supports (P).

Assemble the diffuser (O) on the frame, installing it as shown in the image on the left hand side, ensuring that the edges of the diffuser are placed over the appropriate supports (P).

WARNING! When installing and whenever acting on the appliance, ensure that the power supply has been switched off. For the installation of the spare-part, it is necessary to consult a qualified electrician.

RAY S F5930020

EN

RF5931200

INTERNAL DIFFUSER ASSEMBLY



WARNING! When installing and whenever acting on the appliance, ensure that the power supply has been switched off.
For the installation of the spare-part, it is necessary to consult a qualified electrician.

©2021 Flos - All rights reserved - www.flos.com
Flos reserves the right to introduce any changes to its own models, without prior notice.

RAY S F5930020

EN

RF5931200

INTERNAL DIFFUSER ASSEMBLY

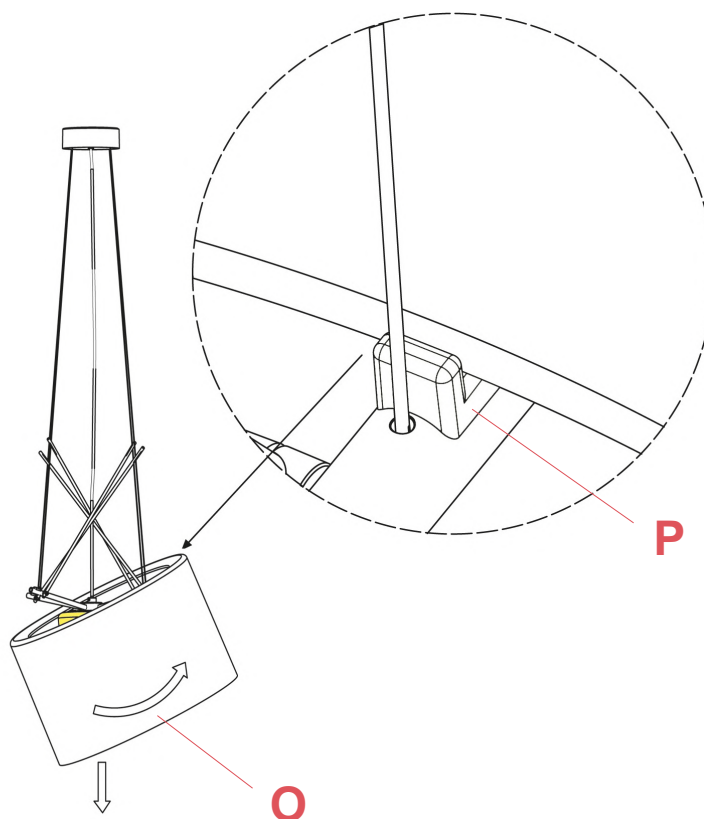


Fig.1

Remove the diffuser (O) from the frame by tilting it like shown in the image on the left hand side and unhook the diffuser (O) from the supports (P).

WARNING! When installing and whenever acting on the appliance, ensure that the power supply has been switched off. For the installation of the spare-part, it is necessary to consult a qualified electrician.

RAY S F5930020

EN

RF5931200

INTERNAL DIFFUSER ASSEMBLY



Fig.2

Unfasten the two fixing internal diffuser screws by utilizing an Allen key.

Remarks!!! For the removal of the internal diffuser it is necessary to ask another person to keep firm the internal diffuser whilst unfastening the screws. (Fig2)

Remove the internal glass diffuser (B) from the lamp frame (C).(Fig.3)

Assemble now the new spare-part:

Ask another person to position the new internal diffuser on the lamp frame (C).(Fig.3)



Fig.3

At this point it is necessary to align the holes present on the lamp frame with the threaded holes present on the support of the internal diffuser and then fasten the fixing screws (A).(Fig.2)

Assemble the diffuser (O) on the frame, installing it as shown in the image on the left hand side, ensuring that the edges of the diffuser are placed over the appropriate supports (P).(Fig.1 page 15)

WARNING! When installing and whenever acting on the appliance, ensure that the power supply has been switched off. For the installation of the spare-part, it is necessary to consult a qualified electrician.

RAY S F5930020

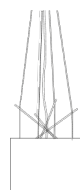
EN

F5923020

GREY F2-S GLASS DIFFUSER



Ray F2
p.03



Ray S
p.17

WARNING! When installing and whenever acting on the appliance, ensure that the power supply has been switched off. For the installation of the spare-part, it is necessary to consult a qualified electrician.

RAY S F5930020

EN

F5923020

GREY F2-S GLASS DIFFUSER

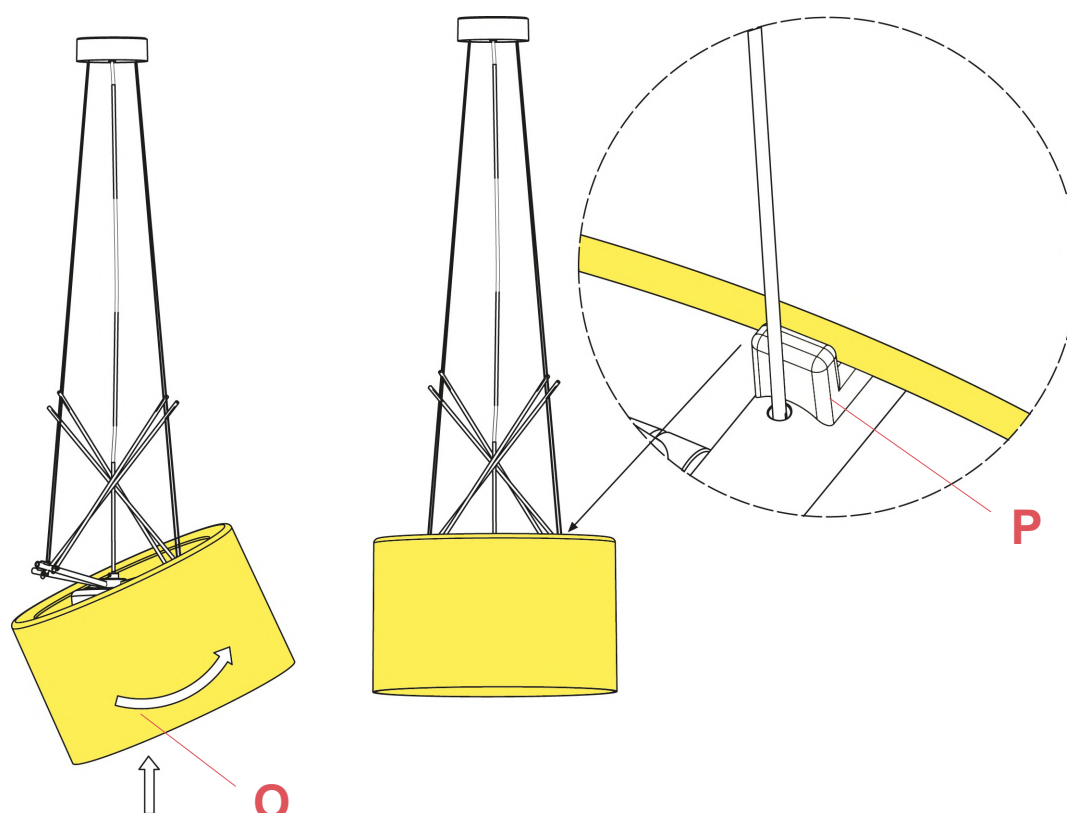


Fig.1

Assemble the diffuser (O) on the frame, installing it as shown in the image on the left hand side, ensuring that the edges of the diffuser are placed over the appropriate supports (P).

WARNING! When installing and whenever acting on the appliance, ensure that the power supply has been switched off. For the installation of the spare-part, it is necessary to consult a qualified electrician.