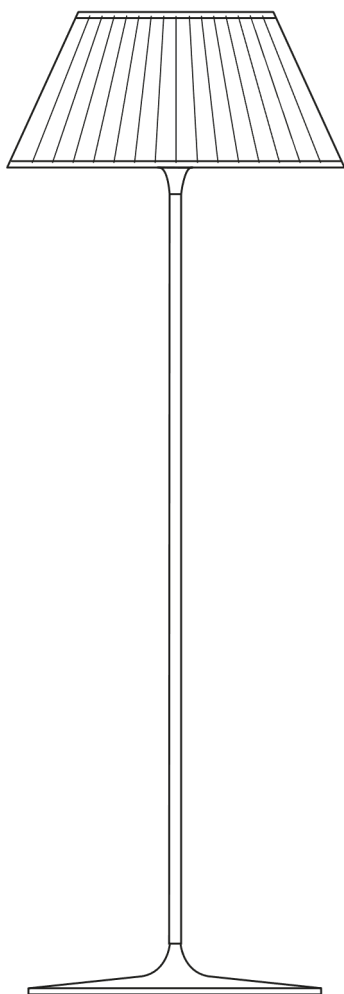


## ROMEO SOFT F

Designed by Philippe Starck, 1998

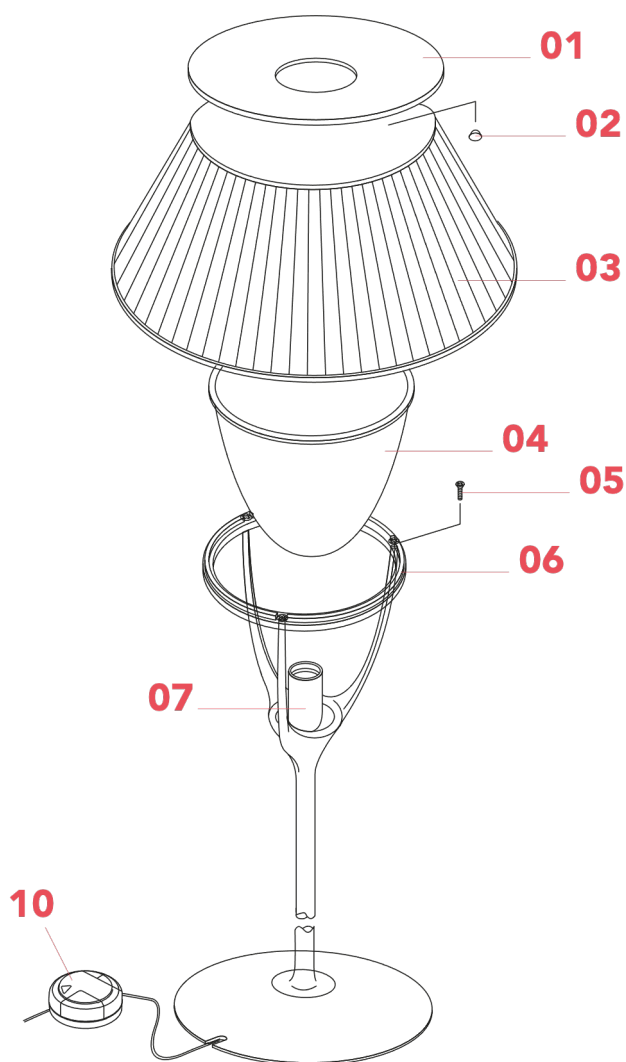
F6109007



## ROMEO SOFT F

F6109007

EN



- 01. RF03204 – Cover ring
- 02. RF6100100 – Kit of silicone seats for cover ring
- 03. RF05274 – Fabric lamp shade
- 04. RF03321 – Acid-etched diffuser
- 05. RF6100200 – Kit of screws & bolts
- 06. RF05307 – Support ring
- 07. RF04169 – E27 Lamp holder
- 08. RF02812 – Grey support bracket
- 10. RF28045 – Led 220/240V 40-250W 4-100W Rondò dimmer



ROMEO SOFT F F6109007

EN

**RF03204**

COVER RING



**REMARKS** – We advise to supply with the cover ring, also the glass silicone seats (code RF6100100)

WARNING! When installing and whenever acting on the appliance, ensure that the power supply has been switched off.  
For the installation of the spare-part, it is necessary to consult a qualified electrician.

©2021 Flos - All rights reserved - [www.flos.com](http://www.flos.com)

Flos reserves the right to introduce any changes to its own models, without prior notice.

ROMEO SOFT F F6109007

EN

**RF03204**

COVER RING

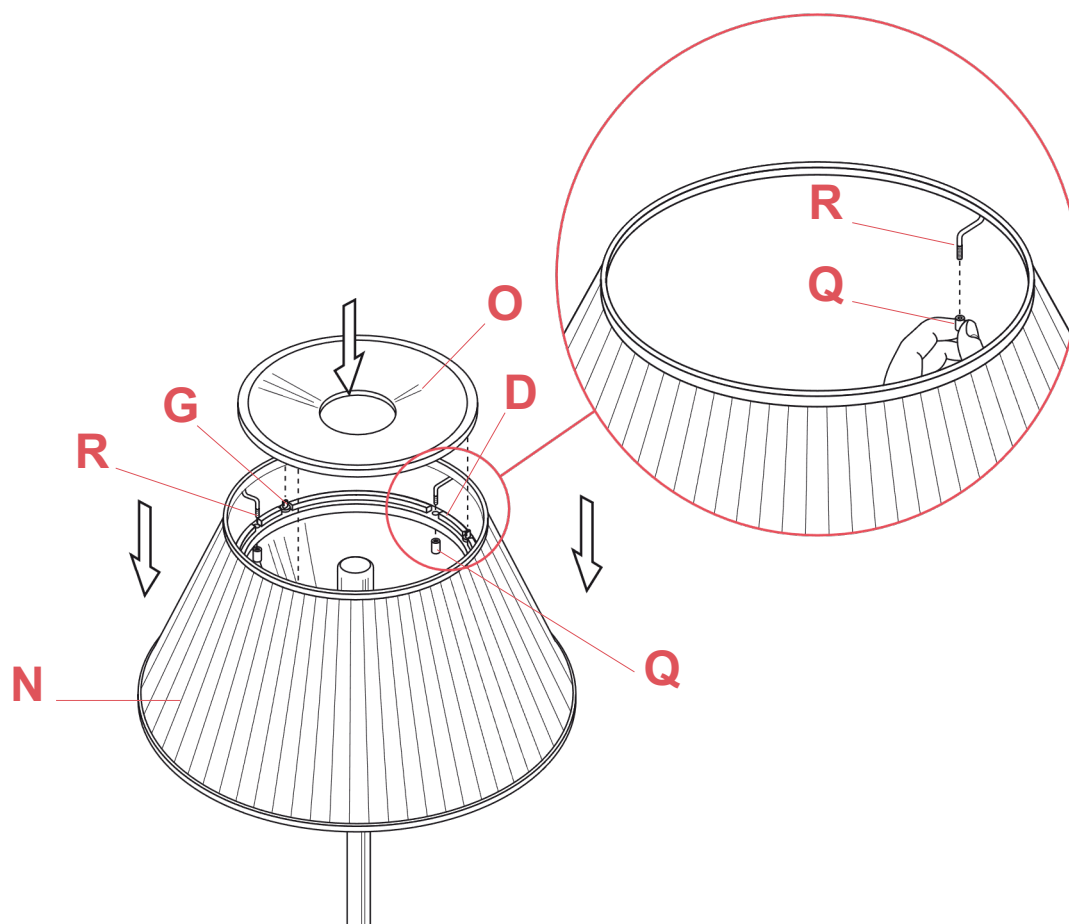


Fig.1

Position the fabric lamp shade (N) on the support ring (D) ensuring to insert the hook threaded screws (R) into the apposite holes present in the support ring (D), fasten the small bolts (Q).

Collocate the silicone seats in there apposite holes underneath the cover ring (O).  
Rest the covering ring (O) on the pins (G).

WARNING! When installing and whenever acting on the appliance, ensure that the power supply has been switched off.  
For the installation of the spare-part, it is necessary to consult a qualified electrician.

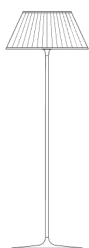
©2021 Flos - All rights reserved - [www.flos.com](http://www.flos.com)  
Flos reserves the right to introduce any changes to its own models, without prior notice.

ROMEO SOFT F F6109007

EN

## RF6100100

KIT OF SILICONE SEATS FOR COVER RING



Romeo  
Soft F  
p.05



Romeo  
Soft T1  
p.05

WARNING! When installing and whenever acting on the appliance, ensure that the power supply has been switched off.  
For the installation of the spare-part, it is necessary to consult a qualified electrician.

ROMEO SOFT F F6109007

EN

**RF6100100**

KIT OF SILICONE SEATS FOR COVER RING

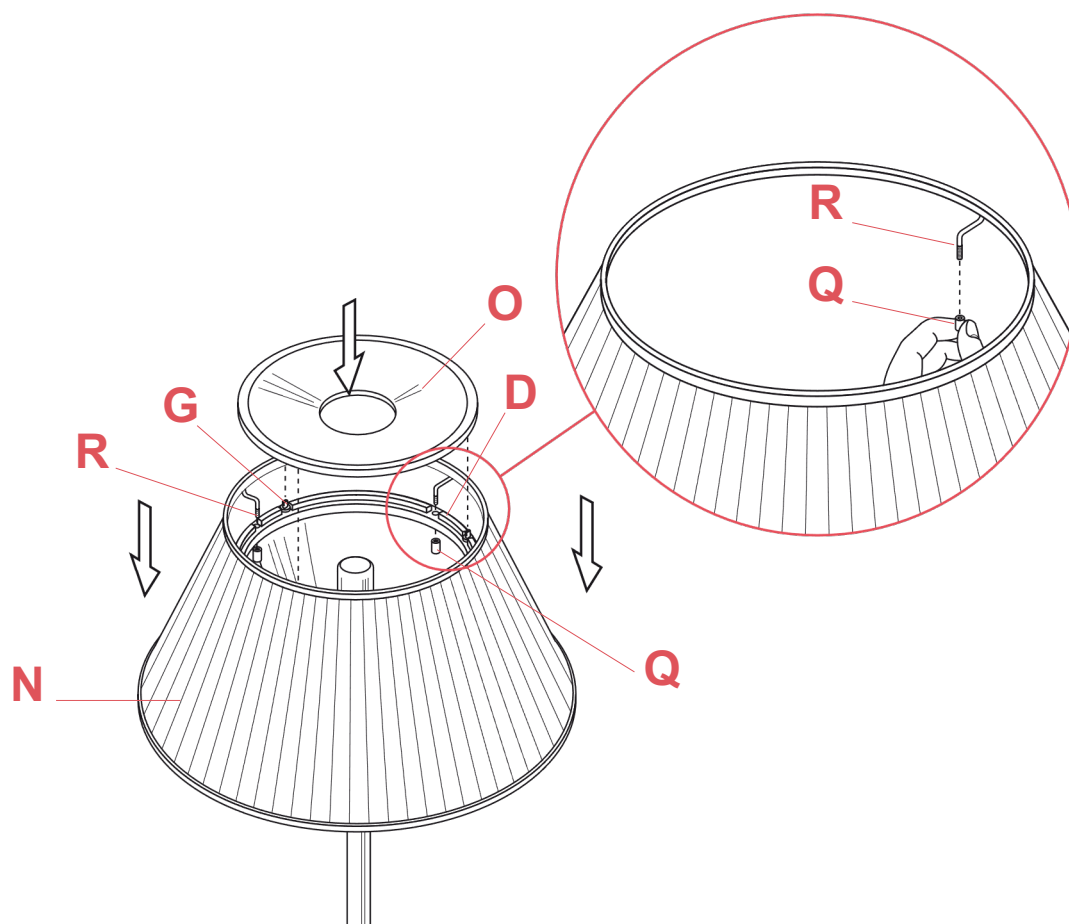


Fig.1

Position the fabric lamp shade (N) on the support ring (D) ensuring to insert the hook threaded screws (R) into the apposite holes present in the support ring (D), fasten the small bolts (Q).  
Collocate the silicone seats in there apposite holes underneath the cover ring (O).  
Rest the covering ring (O) on the pins (G).

WARNING! When installing and whenever acting on the appliance, ensure that the power supply has been switched off.  
For the installation of the spare-part, it is necessary to consult a qualified electrician.

ROMEO SOFT F F6109007

EN

## RF05274

FABRIC LAMP SHADE



WARNING! When installing and whenever acting on the appliance, ensure that the power supply has been switched off.  
For the installation of the spare-part, it is necessary to consult a qualified electrician.

©2021 Flos - All rights reserved - [www.flos.com](http://www.flos.com)  
Flos reserves the right to introduce any changes to its own models, without prior notice.

ROMEO SOFT F F6109007

EN

**RF05274**

FABRIC LAMP SHADE

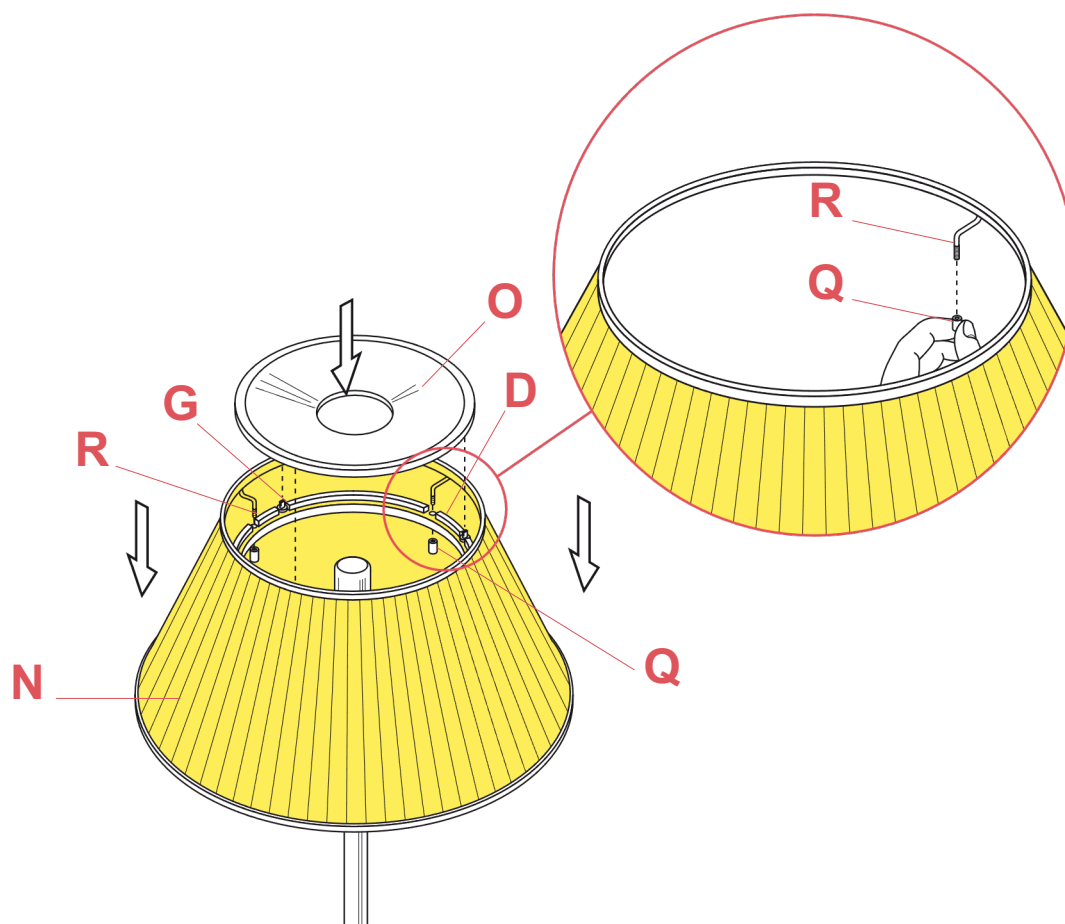


Fig.1

Position the fabric lamp shade (N) on the support ring (D) ensuring to insert the hook threaded screws (R) into the opposite holes present in the support ring (D), fasten the small bolts (Q).  
Collocate the silicone seats in there opposite holes underneath the cover ring (O).  
Rest the covering ring (O) on the pins (G).

WARNING! When installing and whenever acting on the appliance, ensure that the power supply has been switched off.  
For the installation of the spare-part, it is necessary to consult a qualified electrician.

ROMEO SOFT F F6109007

EN

## RF03321

ACID-ETCHED DIFFUSER



WARNING! When installing and whenever acting on the appliance, ensure that the power supply has been switched off.  
For the installation of the spare-part, it is necessary to consult a qualified electrician.

©2021 Flos - All rights reserved - [www.flos.com](http://www.flos.com)  
Flos reserves the right to introduce any changes to its own models, without prior notice.

ROMEO SOFT F F6109007

EN

## RF03321

ACID-ETCHED DIFFUSER

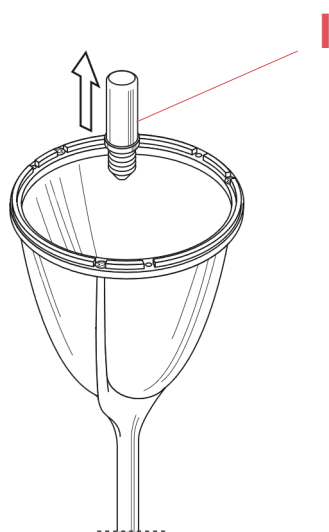


Fig.1

Remove the lamp-bulb (I) if still present on the lamp device.

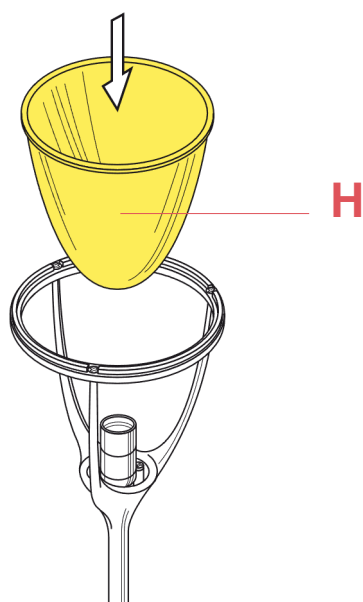


Fig.2

Insert the diffuser (H).

Now, Insert the lamp-bulb (I).

WARNING! When installing and whenever acting on the appliance, ensure that the power supply has been switched off. For the installation of the spare-part, it is necessary to consult a qualified electrician.



ROMEO SOFT F F6109007

EN

**RF03321**

ACID-ETCHED DIFFUSER

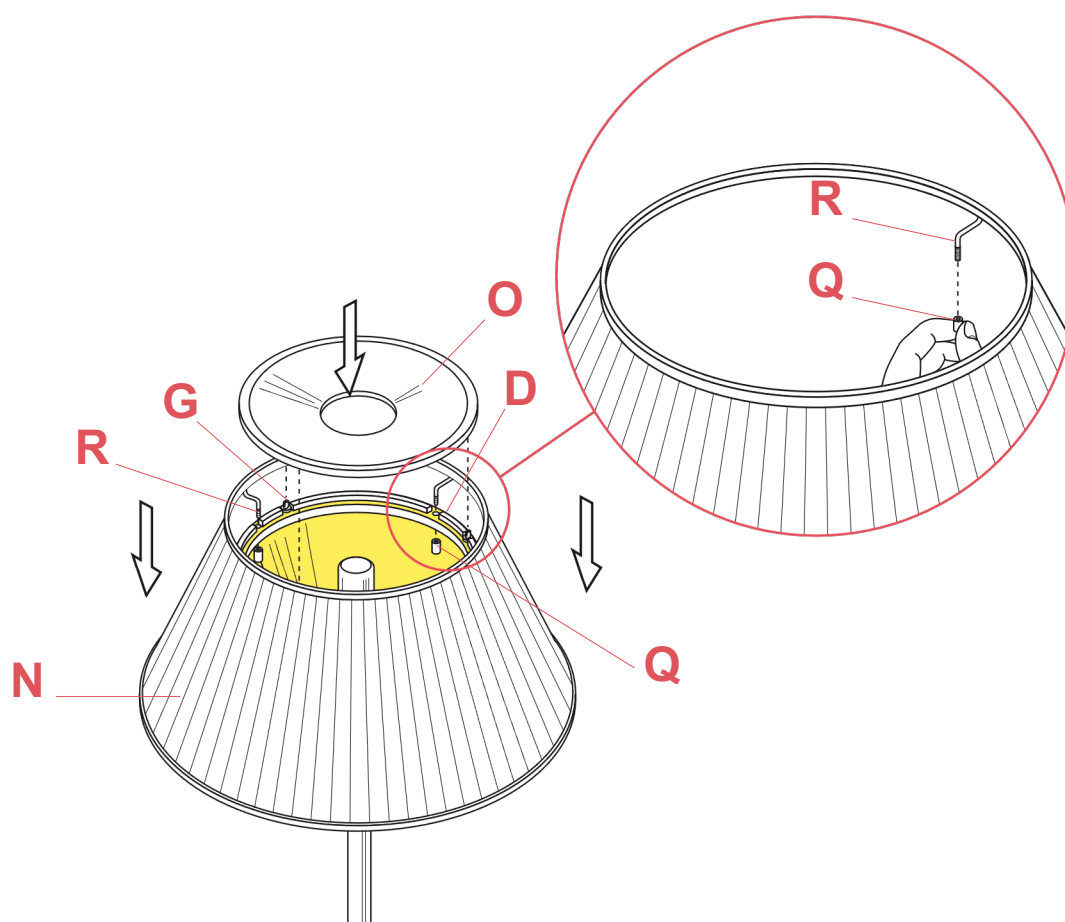


Fig.3

Position the fabric lamp shade (N) on the support ring (D) ensuring to insert the hook threaded screws (R) into the apposite holes present in the support ring (D), fasten the small bolts (Q).

Collocate the silicone seats in there apposite holes underneath the cover ring (O).  
Rest the covering ring (O) on the pins (G).

WARNING! When installing and whenever acting on the appliance, ensure that the power supply has been switched off.  
For the installation of the spare-part, it is necessary to consult a qualified electrician.

ROMEO SOFT F F6109007

EN

## RF6100200

KIT OF SCREWS & BOLTS



Romeo  
Moon F  
p.12



Romeo  
Moon T1  
p.12



Romeo  
Soft F  
p.12



Romeo  
Soft T1  
p.14

WARNING! When installing and whenever acting on the appliance, ensure that the power supply has been switched off.  
For the installation of the spare-part, it is necessary to consult a qualified electrician.

## RF6100200

KIT OF SCREWS & BOLTS

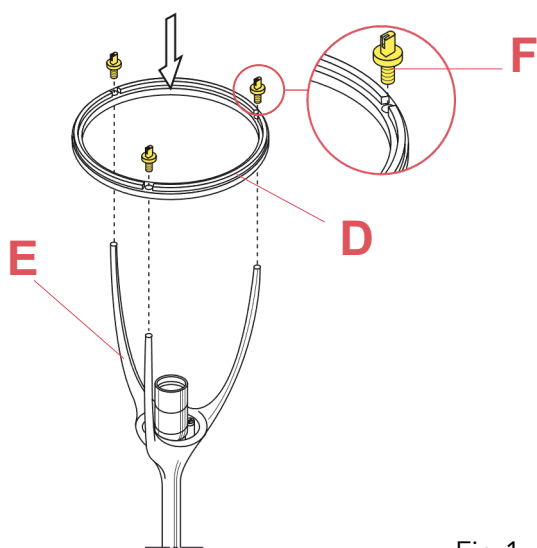


Fig.1

Rest the support ring (D) on the support brackets (E) and lock it by fastening it with the screw/pivots (F).

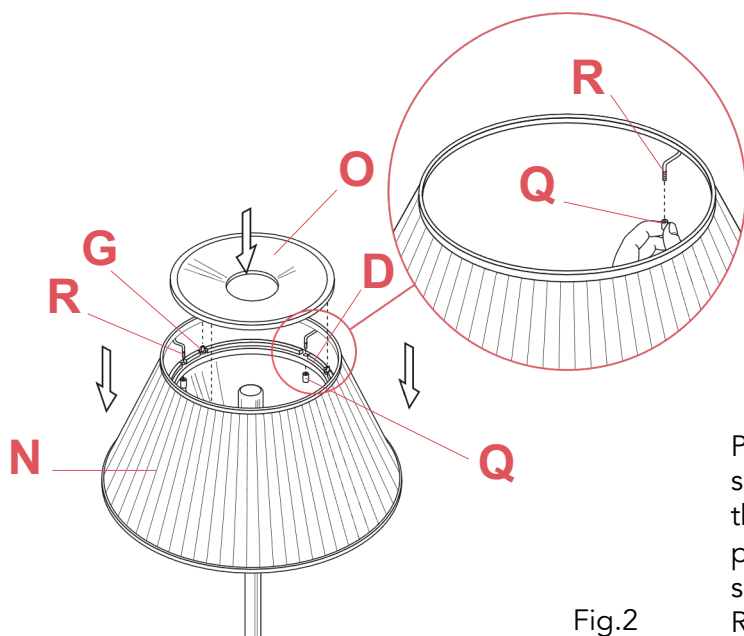


Fig.2

Position the fabric lamp shade (N) on the support ring (D) ensuring to insert the hook threaded screws (R) into the apposite holes present in the support ring (D), fasten the small bolts (Q).  
Rest the covering ring (O) on the pins (G).

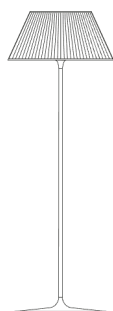
WARNING! When installing and whenever acting on the appliance, ensure that the power supply has been switched off.  
For the installation of the spare-part, it is necessary to consult a qualified electrician.

ROMEO SOFT F F6109007

EN

## RF05307

SUPPORT RING



Romeo  
Moon F  
p.16



Romeo  
Soft F  
p.14

WARNING! When installing and whenever acting on the appliance, ensure that the power supply has been switched off.  
For the installation of the spare-part, it is necessary to consult a qualified electrician.

## RF05307

SUPPORT RING

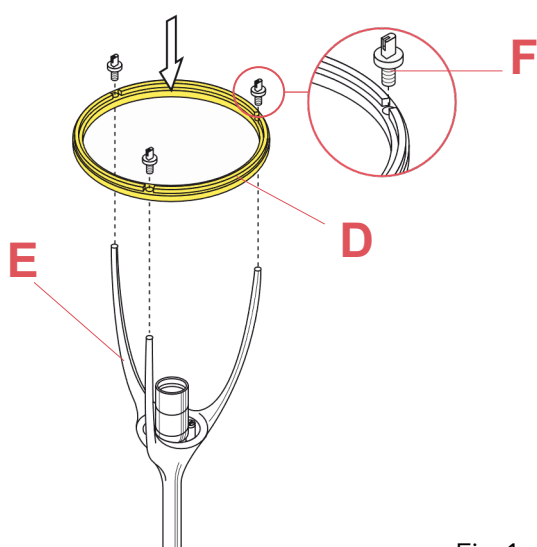


Fig.1

Rest the support ring (D) on the support brackets (E) and lock it by fastening it with the screw/pivots (F).

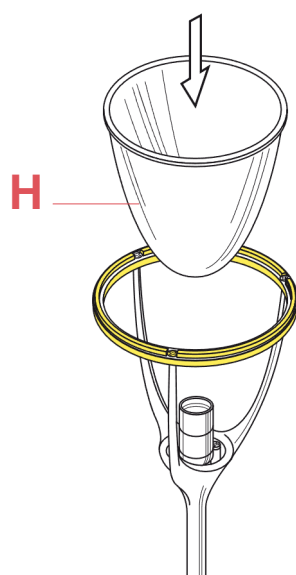


Fig.2

Insert the diffuser (H).

WARNING! When installing and whenever acting on the appliance, ensure that the power supply has been switched off. For the installation of the spare-part, it is necessary to consult a qualified electrician.

## RF05307

### SUPPORT RING

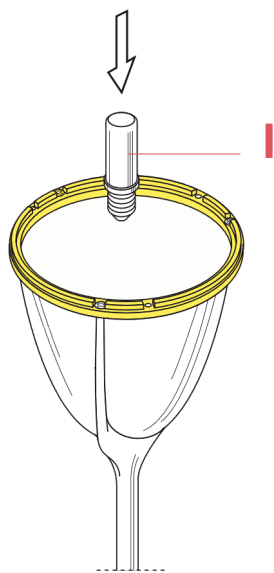


Fig.3 Insert the lamp-bulb (I).

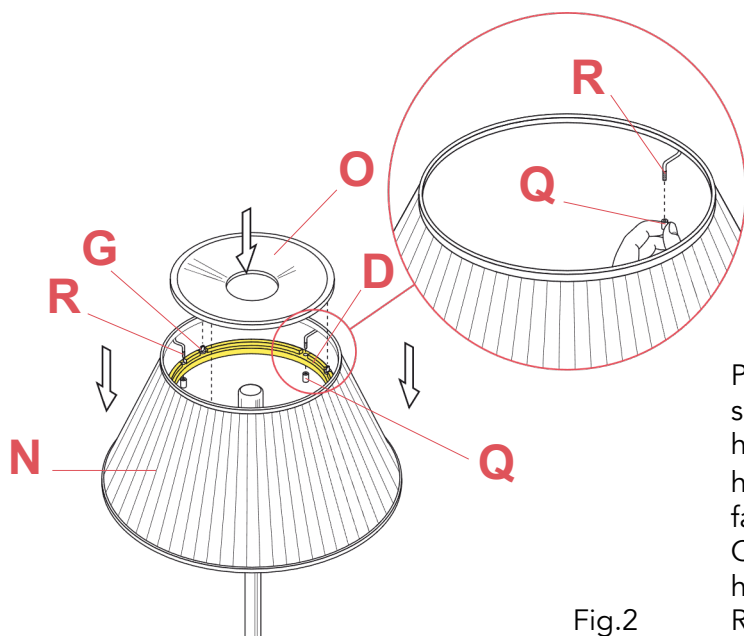


Fig.2

Position the fabric lamp shade (N) on the support ring (D) ensuring to insert the hook threaded screws (R) into the apposite holes present in the support ring (D), fasten the small bolts (Q). Collocate the silicone seats in there apposite holes underneath the cover ring (O). Rest the covering ring (O) on the pins (G).

WARNING! When installing and whenever acting on the appliance, ensure that the power supply has been switched off. For the installation of the spare-part, it is necessary to consult a qualified electrician.

ROMEO SOFT F F6109007

EN

## RF04169

E27 LAMP HOLDER



Romeo  
Moon F  
p.21



Romeo  
Moon T1  
p.21



Romeo  
Soft F  
p.17



Romeo  
Soft T1  
p.22

WARNING! When installing and whenever acting on the appliance, ensure that the power supply has been switched off.  
For the installation of the spare-part, it is necessary to consult a qualified electrician.

ROMEO SOFT F F6109007

EN

## RF04169

E27 LAMP HOLDER

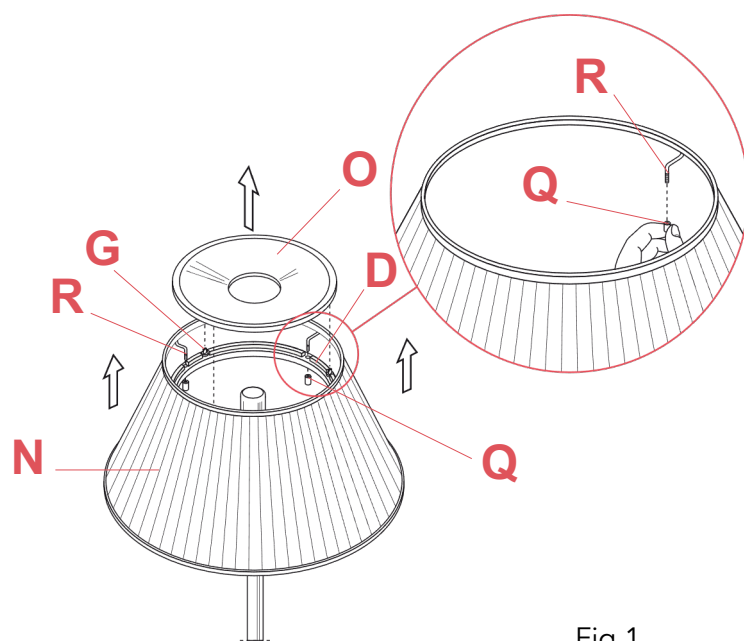


Fig.1

Remove the cover ring (O).  
Remove the fabric lamp shade (N) by unfastening the small bolts (Q).  
Unhook the fabric shade from the support ring (D).

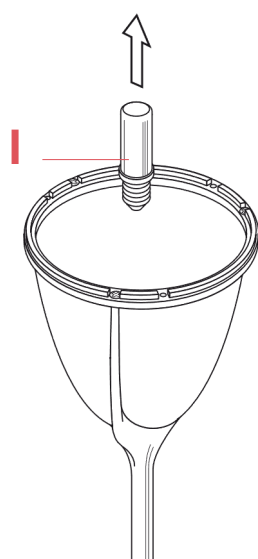


Fig.2

Remove the lamp-bulb (I) if still present on the lamp device.

WARNING! When installing and whenever acting on the appliance, ensure that the power supply has been switched off.  
For the installation of the spare-part, it is necessary to consult a qualified electrician.



## RF04169

E27 LAMP HOLDER

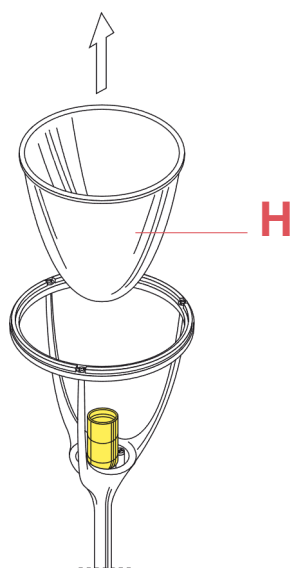


Fig.3 Remove the diffuser (H).

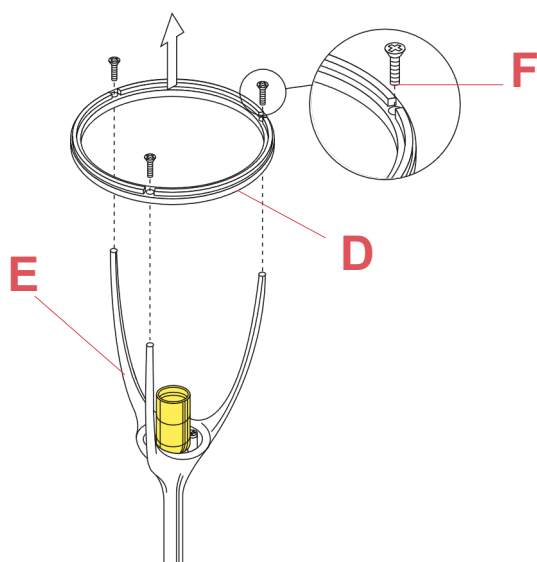


Fig.4

Remove the support ring (D) from the support brackets (E) by unfastening the screw/pivots (F).

WARNING! When installing and whenever acting on the appliance, ensure that the power supply has been switched off.  
For the installation of the spare-part, it is necessary to consult a qualified electrician.

## RF04169

E27 LAMP HOLDER

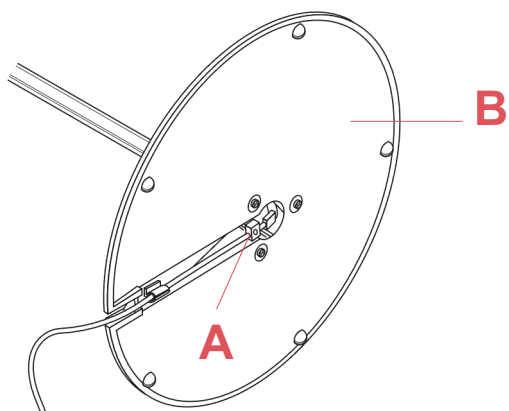


Fig.5

Unfasten the locking screw of the cable clamp (A) present underneath the lamp base (B).

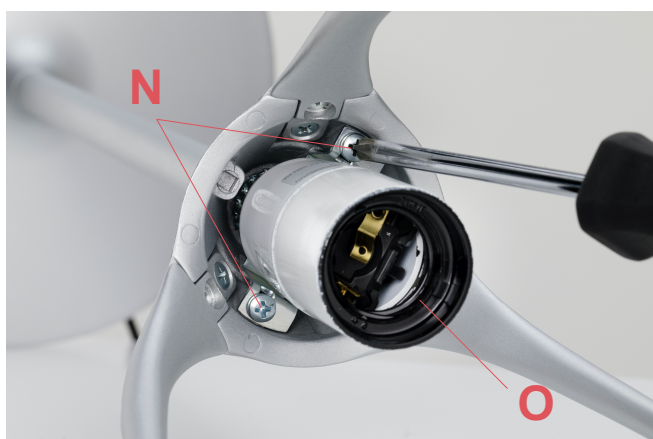


Fig.6

Unfasten the two screws (N) and lift up the lamp holder assembly (O) with his bracket.

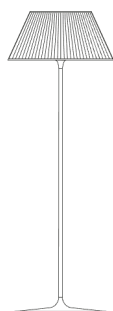
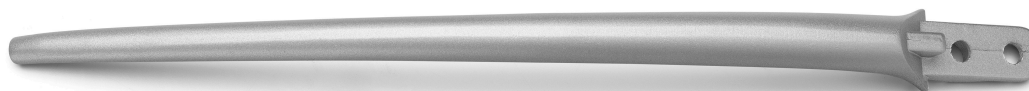
**WARNING!** When installing and whenever acting on the appliance, ensure that the power supply has been switched off. For the installation of the spare-part, it is necessary to consult a qualified electrician.

ROMEO SOFT F F6109007

EN

## RF02812

GREY SUPPORT BRACKET



Romeo  
Moon F  
p.31



Romeo  
Soft F  
p.21

WARNING! When installing and whenever acting on the appliance, ensure that the power supply has been switched off.  
For the installation of the spare-part, it is necessary to consult a qualified electrician.

ROMEO SOFT F F6109007

EN

## RF02812

GREY SUPPORT BRACKET

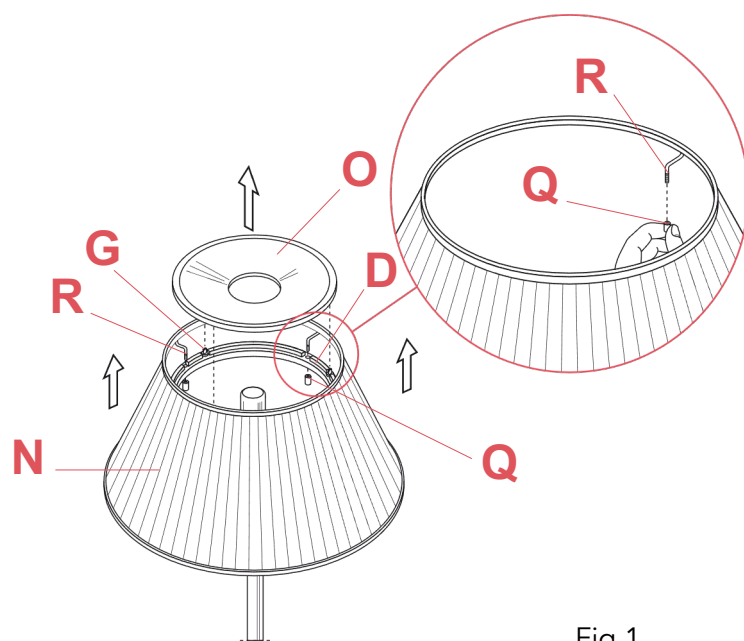


Fig.1

Remove the cover ring (O).  
Remove the fabric lamp shade (N) by unfastening the small bolts (Q).  
Unhook the fabric shade from the support ring (D).

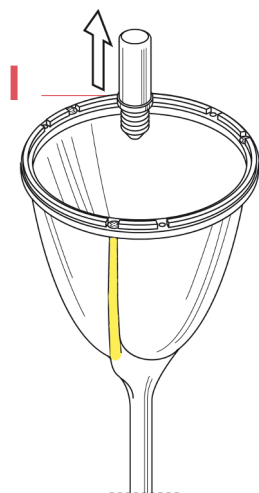


Fig.2

Remove the lamp-bulb (I) if still present on the lamp device.

WARNING! When installing and whenever acting on the appliance, ensure that the power supply has been switched off.  
For the installation of the spare-part, it is necessary to consult a qualified electrician.

ROMEO SOFT F F6109007

EN

## RF02812

GREY SUPPORT BRACKET

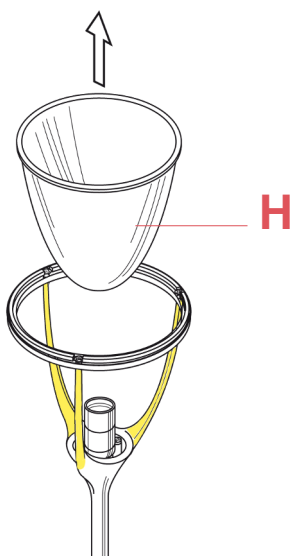


Fig.3 Remove the diffuser (H).

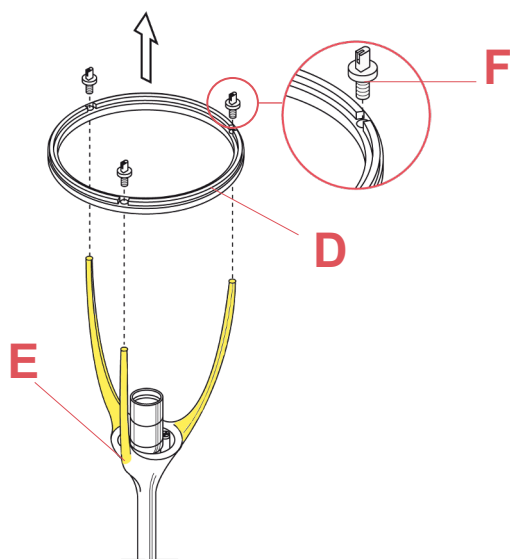


Fig.4 Remove the support ring (D) from the support brackets (E) by unfastening the screw/pivots (F).

WARNING! When installing and whenever acting on the appliance, ensure that the power supply has been switched off.  
For the installation of the spare-part, it is necessary to consult a qualified electrician.

## RF02812

GREY SUPPORT BRACKET

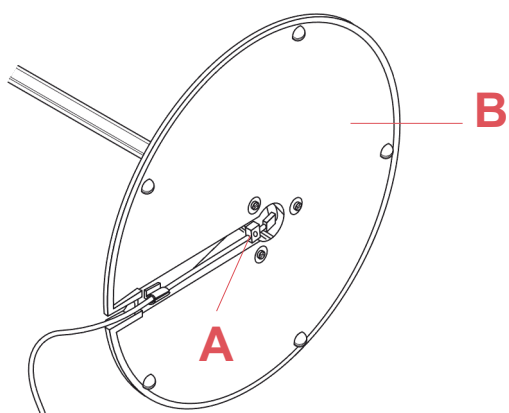


Fig.5

Unfasten the locking screw of the cable clamp (A) present underneath the lamp base (B).

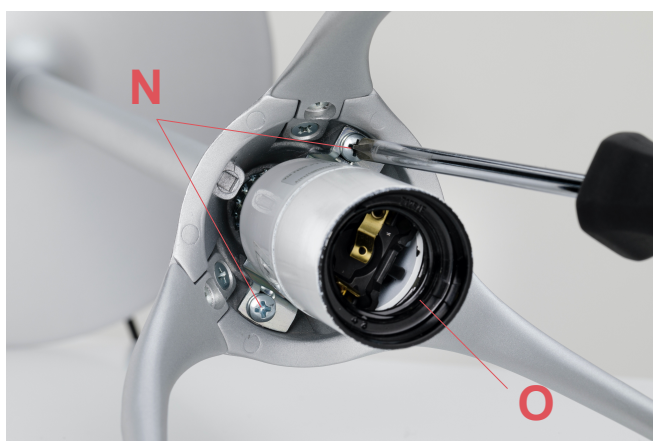


Fig.6

Unfasten the two screws (N) and lift up the lamp holder assembly (O) with his bracket.

**WARNING!** When installing and whenever acting on the appliance, ensure that the power supply has been switched off. For the installation of the spare-part, it is necessary to consult a qualified electrician.

## RF02812

GREY SUPPORT BRACKET

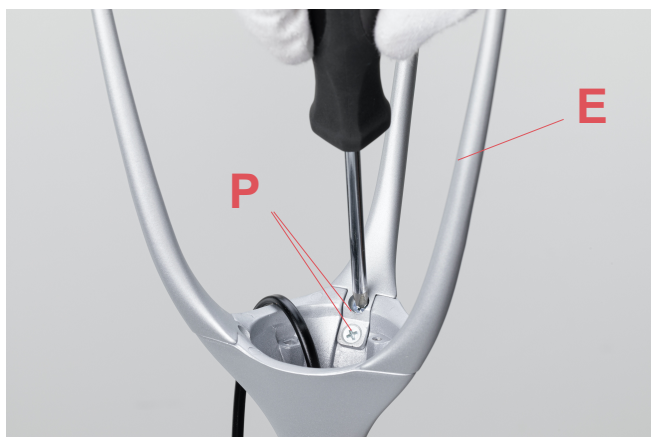


Fig.7

Unfasten the two locking screws (P) and remove the damaged support bracket (E).



Fig.8

Collocate the new support bracket (E), ensuring that the holes (Q) present on the bracket correspond with the holes (R) present on the lamp cup (O).

**WARNING!** When installing and whenever acting on the appliance, ensure that the power supply has been switched off. For the installation of the spare-part, it is necessary to consult a qualified electrician.

## RF02812

GREY SUPPORT BRACKET

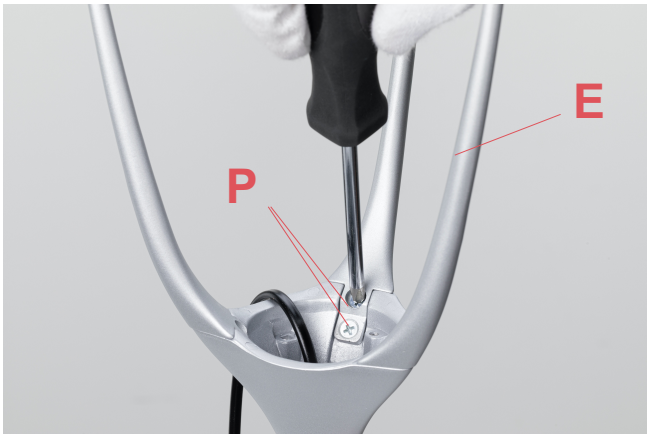


Fig.9

Unfasten the two locking screws (P) and remove the damaged support bracket (E). Assemble now the new spare part.

Collocate the new support bracket (E), ensuring that the holes (Q) present on the bracket correspond with the holes (R) present on the lamp cup (O). Assemble the support bracket (E) by fastening the two screws (P).

Assemble the lamp holder (O) with bracket, by fastening the two locking screws (N).

Fasten the screw of the cable clamp (A) present underneath the base (B).(Fig.5 page 24)

Rest the support ring (D) on the support brackets (E) and lock it by fastening it with the screw/pivots (F).(Fig.4 page 23)

Insert the diffuser (H).(Fig.3 page 23)

Insert the lamp-bulb (I).(Fig.2 page 22)

Position the fabric lamp shade (N) on the support ring (D) ensuring to insert the hook threaded screws (R) into the apposite holes present in the support ring (D), fasten the small bolts (Q).

Collocate the silicone seats in there apposite holes underneath the cover ring (O). Rest the covering ring (O) on the pins (G).(Fig.1 page 22)



Fig.10

WARNING! When installing and whenever acting on the appliance, ensure that the power supply has been switched off. For the installation of the spare-part, it is necessary to consult a qualified electrician.



ROMEO SOFT F F6109007

EN

## RF28045

LED 220/240V 40-250W 4-100W RONDÒ DIMMER



Bibliotheque  
Nationale  
p.05



Glo-ball  
F1  
p.05



Glo-ball  
F2  
p.05



Glo-ball  
F3  
p.05



Ic F1  
p.05



Ic F2  
p.05



Ktribe  
F2  
p.05



Ktribe  
F3  
p.05



Lounge  
Gun  
p.13



Luminator  
Dim  
p.05



Parentesi D  
p.32



Ray  
F1  
p.17



Ray F2  
p.17



Romeo  
Moon F  
p.44



Romeo  
Soft  
p.33



Spun  
Light F  
p.09



Toio  
Led  
p.38

WARNING! When installing and whenever acting on the appliance, ensure that the power supply has been switched off.  
For the installation of the spare-part, it is necessary to consult a qualified electrician.

## RF28045

LED 220/240V 40-250W 4-100W RONDÒ DIMMER



Fig.1



Fig.2

Open the box of the damaged dimmer.

For the opening, it is necessary to remove the rubber pad from underneath the dimmer box (refer to fig.1);

Unfasten the screw that locks the triangle terminal cover (refer to fig.2);

**WARNING!** When installing and whenever acting on the appliance, ensure that the power supply has been switched off.  
For the installation of the spare-part, it is necessary to consult a qualified electrician.

ROMEO SOFT F F6109007

EN

**RF28045**

LED 220/240V 40-250W 4-100W RONDÒ DIMMER



Fig.3



Fig.4

Turn the dimmer box and remove the terminal cover (refer to fig. 3);

Unfasten the three screws of the cable clamps (refer to fig. 4);

WARNING! When installing and whenever acting on the appliance, ensure that the power supply has been switched off.  
For the installation of the spare-part, it is necessary to consult a qualified electrician.

ROMEO SOFT F F6109007

EN

## RF28045

LED 220/240V 40-250W 4-100W RONDÒ DIMMER



Fig.5



Fig.6

Remove the cable clamp (refer to fig. 5) and disconnect the cables from the green terminal box (refer to fig. 6).

Assemble now the new dimmer:

Connect the cables respecting the polarities, lock the wires by positioning the cable clamp and then fasten the three screws, cover the green terminal box with the triangle cover, turn the dimmer box, fasten the screw and stick-on the rubber pads.

WARNING! When installing and whenever acting on the appliance, ensure that the power supply has been switched off. For the installation of the spare-part, it is necessary to consult a qualified electrician.