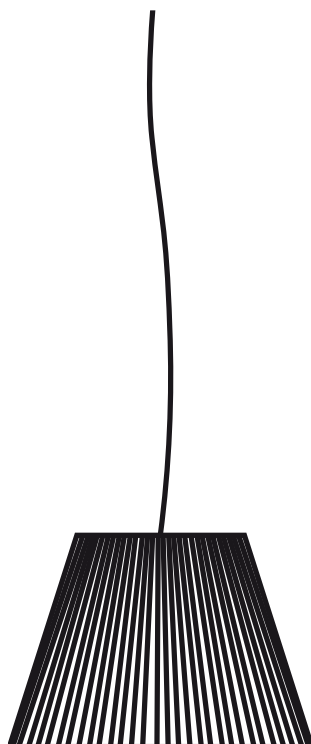


ROMEO BABE SOFT S

Designed by Philippe Starck, 1997

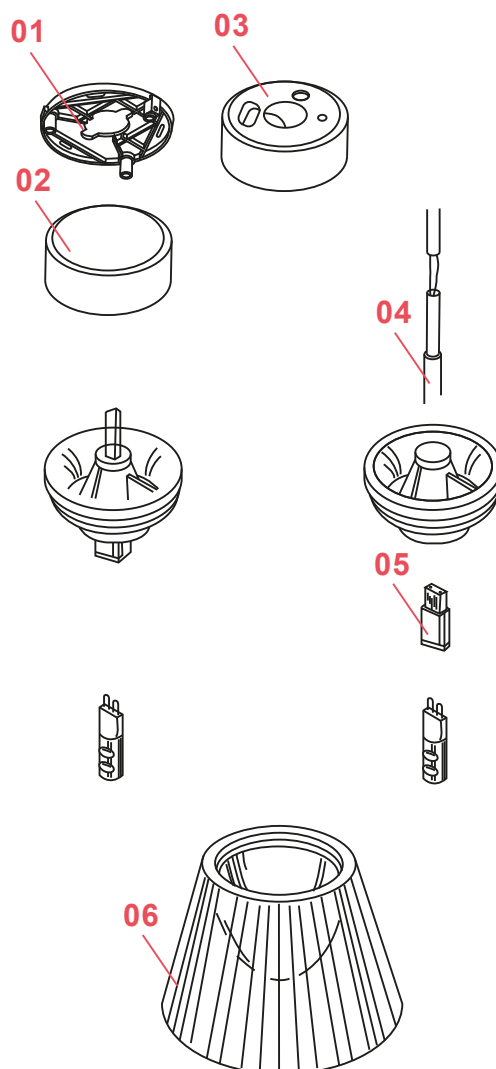
F6124007



ROMEO BABE SOFT S

F6124007

EN



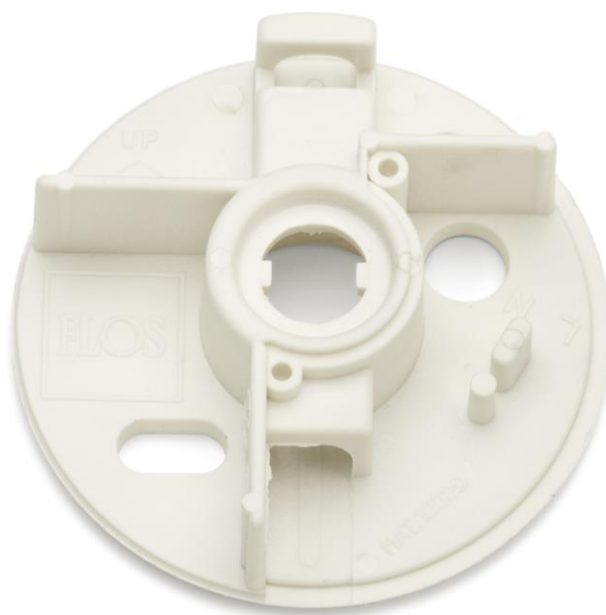
- 01. RF15657** – S/K/Soft base wall mount
- 02. RF16160** – S/K/Soft ceiling rose
- 03. RF3350300** – Ceiling rose assembly
- 04. RF4190200** – 5 meter Sil/Fep 2x0,75 transparent electrical cable
- 05. RF18861** – Ceramics G9 lamp holder
- 06. RF6120407** – Soft new color diffuser assembly

ROMEO BABE SOFT S F6124007

EN

RF15657

S/K/SOFT BASE WALL MOUNT



Romeo
Babe
p.03



Romeo
Babe Soft S
p.03

WARNING! When installing and whenever acting on the appliance, ensure that the power supply has been switched off.
For the installation of the spare-part, it is necessary to consult a qualified electrician.

RF15657

S/K/SOFT BASE WALL MOUNT

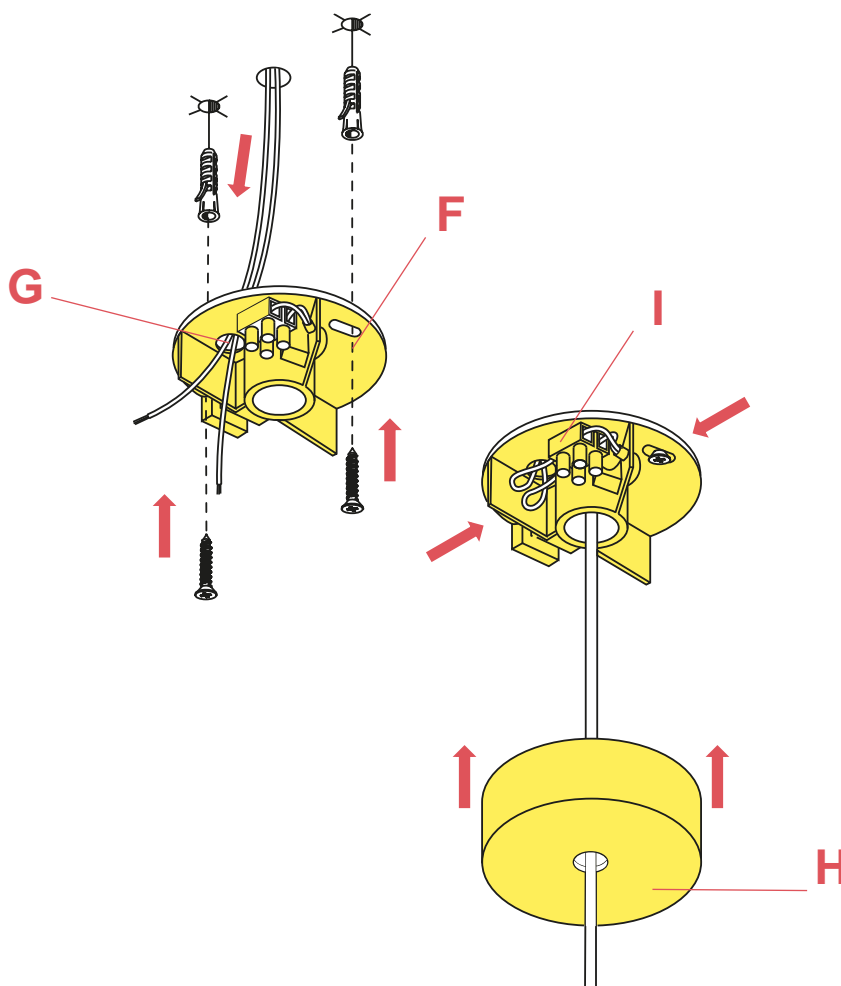


Fig.1

Fix the ceiling attachment (F) utilizing screws and plugs suitable for the surface where it needs to be installed on.

Ensure to insert the electrical wires from the ceiling through the hole (G). Insert the electrical cable of the lamp through the ceiling rose (H) and connect the cable wires to the terminal box (I) making sure that the cable of the lamp passes through the ceiling attachment holes like indicated in the diagram (L), hook the ceiling rose (H) to the wall attachment (F).

WARNING! When installing and whenever acting on the appliance, ensure that the power supply has been switched off. For the installation of the spare-part, it is necessary to consult a qualified electrician.

RF15657

S/K/SOFT BASE WALL MOUNT

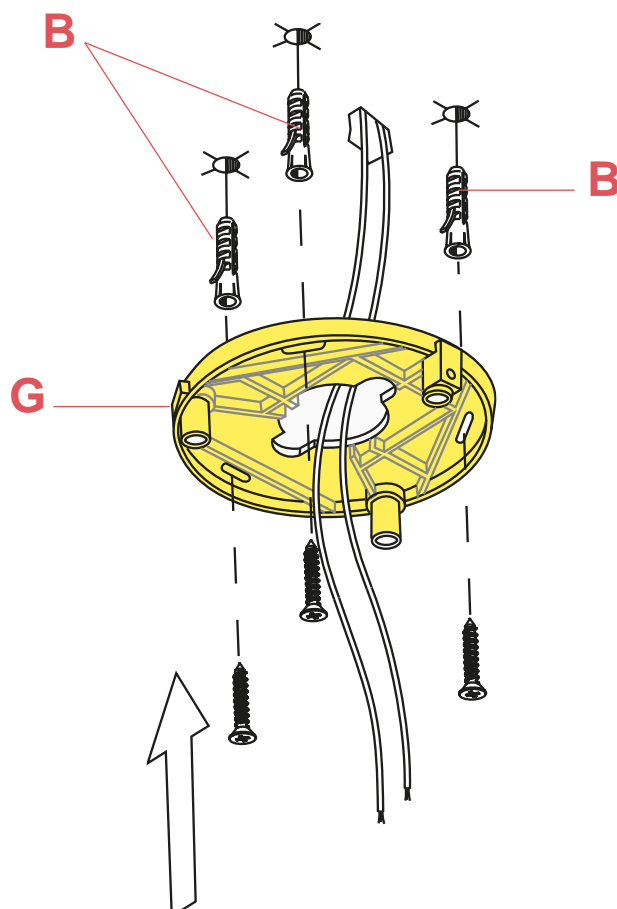


Fig.2

Secure the wall mount (A) to the wall using the screws and expansion plugs (B) and paying attention to insert the power cables coming from the wall through the hole.

NOTE: Select and utilize screw plugs which are suited to the surface where the appliance is to be installed.

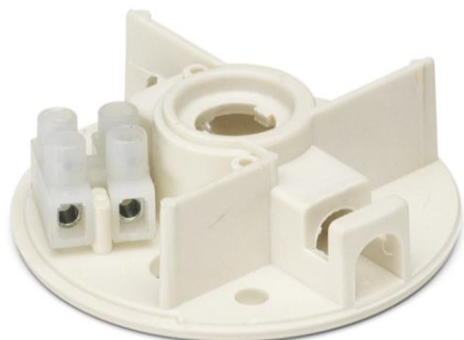
WARNING! When installing and whenever acting on the appliance, ensure that the power supply has been switched off.
For the installation of the spare-part, it is necessary to consult a qualified electrician.

ROMEO BABE SOFT S F6124007

EN

RF3350300

CEILING ROSE ASSEMBLY



Romeo
Babe
p.06



Romeo
Babe Soft S
p.06

WARNING! When installing and whenever acting on the appliance, ensure that the power supply has been switched off.
For the installation of the spare-part, it is necessary to consult a qualified electrician.

ROMEO BABE SOFT S F6124007

EN

RF3350300

CEILING ROSE ASSEMBLY

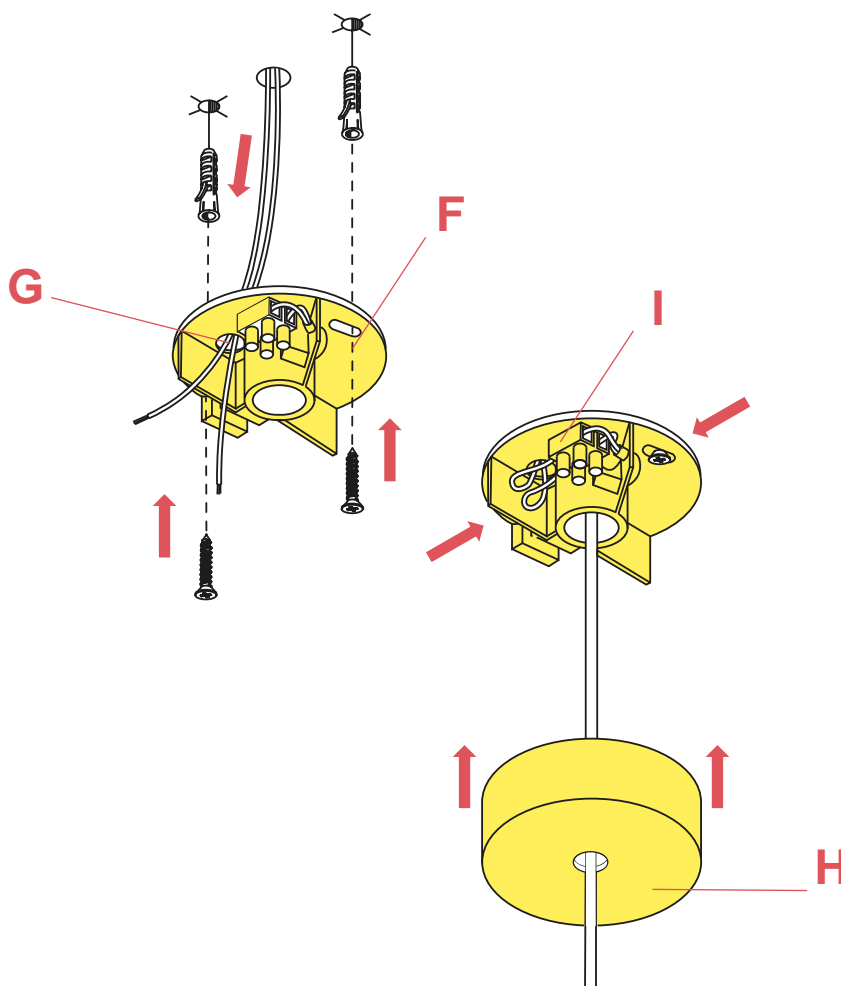


Fig.1

Fix the ceiling attachment (F) utilizing screws and plugs suitable for the surface where it needs to be installed on.

Ensure to insert the electrical wires from the ceiling through the hole (G). Insert the electrical cable of the lamp through the ceiling rose (H) and connect the cable wires to the terminal box (I) making sure that the cable of the lamp passes through the ceiling attachment holes like indicated in the diagram (L), hook the ceiling rose (H) to the wall attachment (F).

WARNING! When installing and whenever acting on the appliance, ensure that the power supply has been switched off.
For the installation of the spare-part, it is necessary to consult a qualified electrician.

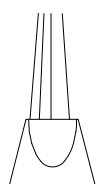
©2021 Flos - All rights reserved - www.flos.com
Flos reserves the right to introduce any changes to its own models, without prior notice.

ROMEO BABE SOFT S F6124007

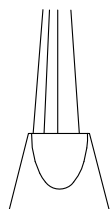
EN

RF4190200

5MT SIL/FEP 2X0,75 TRANSPARENT ELECTRICAL CABLE



Ktribe S2
p.06



Ktribe S3
p.06



Mini
Glo-Ball S
p.07



Ray S
p.08



Romeo
Babe
p.08



Romeo
Babe Soft S
p.08

WARNING! When installing and whenever acting on the appliance, ensure that the power supply has been switched off.
For the installation of the spare-part, it is necessary to consult a qualified electrician.

ROMEO BABE SOFT S F6124007

EN

RF18861

CERAMIC G9 LAMP HOLDER



Romeo
Babe
p.09



Romeo
Babe Sosft S
p.09



Romeo
Babe W
p.06



Romeo
Babe Soft
W
p.06

WARNING! When installing and whenever acting on the appliance, ensure that the power supply has been switched off.
For the installation of the spare-part, it is necessary to consult a qualified electrician.

ROMEO BABE SOFT S F6124007

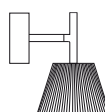
EN

RF6120407

SOFT NEW COLOR DIFFUSER ASSEMBLY



Romeo
Babe Soft S
p.10



Romeo Babe
Soft W
p.07

WARNING! When installing and whenever acting on the appliance, ensure that the power supply has been switched off.
For the installation of the spare-part, it is necessary to consult a qualified electrician.

ROMEO BABE SOFT S F6124007

EN

RF6120407

SOFT NEW COLOR DIFFUSER ASSEMBLY

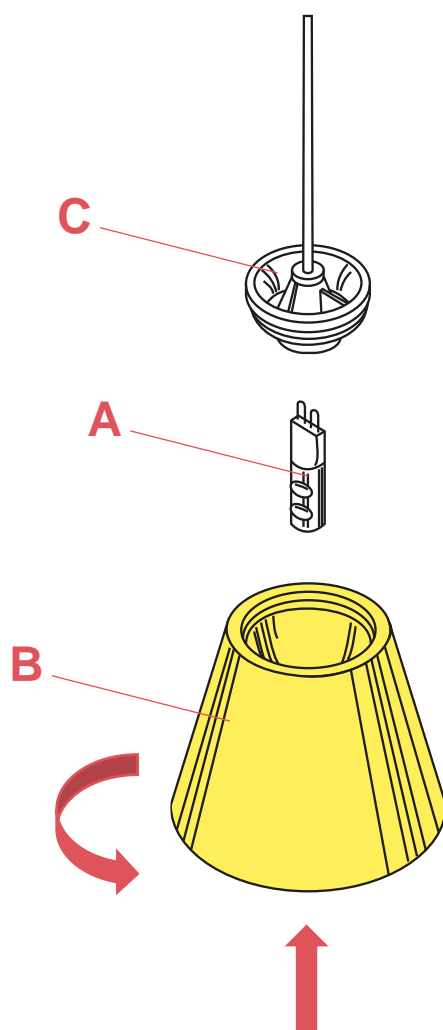


Fig.1

Fasten on the diffuser (A) onto the support (C) without forcing it.

REMARKS!!! Slightly loosen the diffuser (A) when it has reached the full extent of the screw thread. This will ensure that future removal will be easier.

WARNING! When installing and whenever acting on the appliance, ensure that the power supply has been switched off.
For the installation of the spare-part, it is necessary to consult a qualified electrician.

©2021 Flos - All rights reserved - www.flos.com
Flos reserves the right to introduce any changes to its own models, without prior notice.