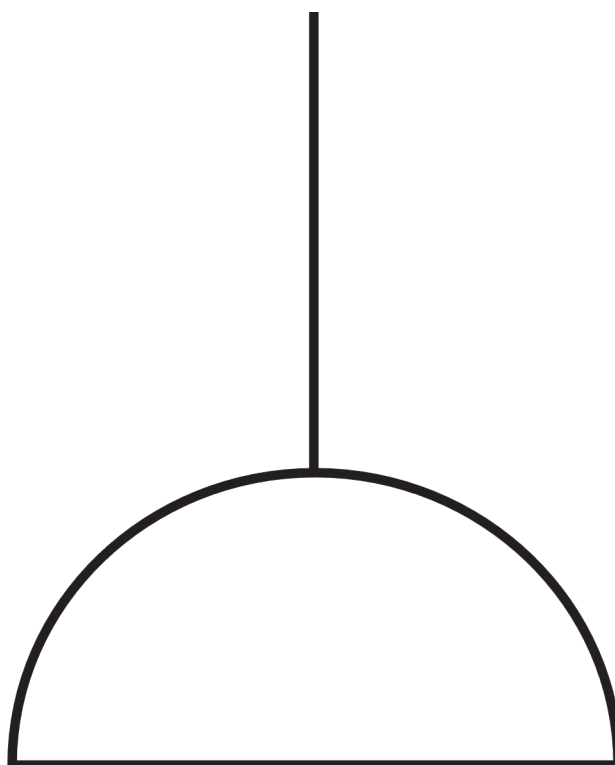


## SKYGARDEN 2

Designed by Marcel Wanders, 2007

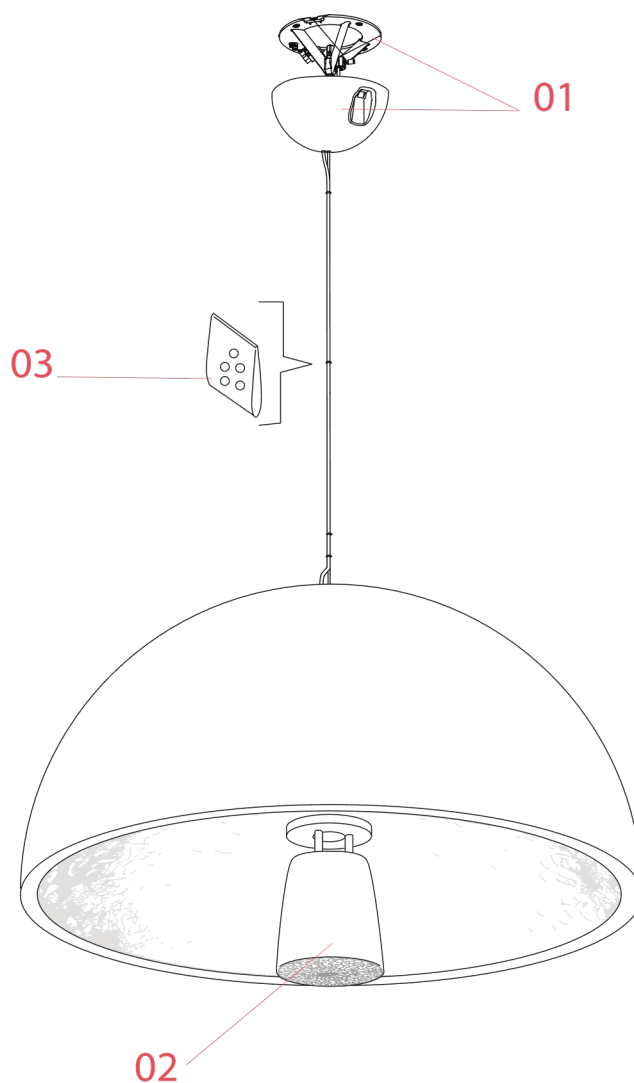
F0002044



## SKYGARDEN 2

F0002044

EN



**01. RF6420244** – Gold ceiling rose assembly

**02. RF6420100** – Glass diffuser assembly

**03. RF05382** – Kit of quantity 5 OR rings

SKYGARDEN 2 F0002044

EN

## RF6420244

GOLD CEILING ROSE ASSEMBLY



WARNING! When installing and whenever acting on the appliance, ensure that the power supply has been switched off.  
For the installation of the spare-part, it is necessary to consult a qualified electrician.

©2021 Flos - All rights reserved - [www.flos.com](http://www.flos.com)  
Flos reserves the right to introduce any changes to its own models, without prior notice.

SKYGARDEN 2 F0002044

EN

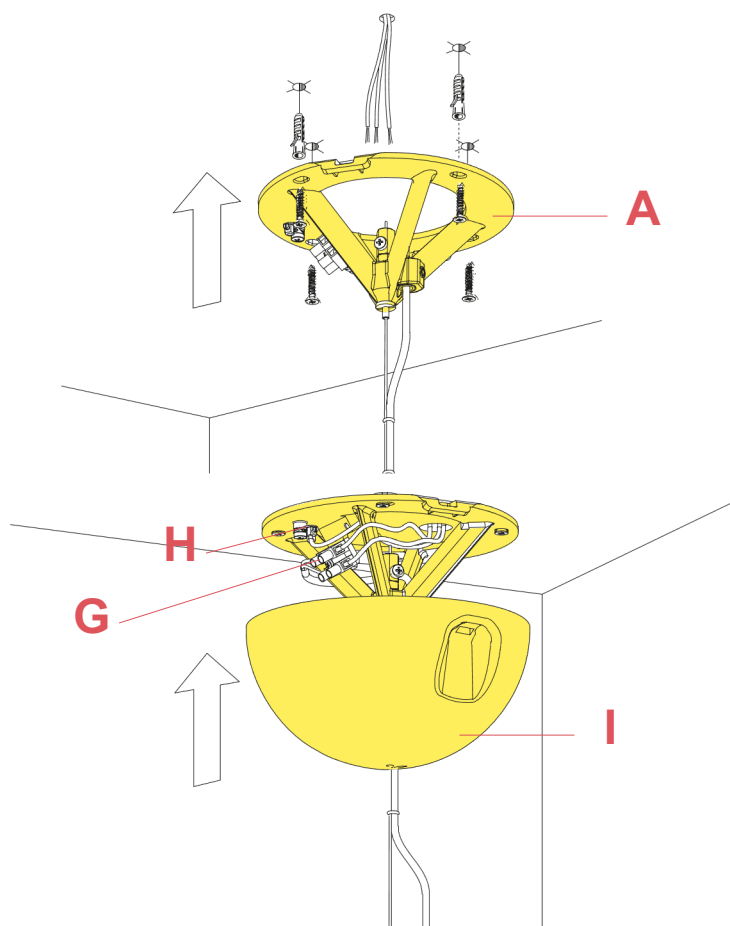
**RF6420244**  
GOLD CEILING ROSE ASSEMBLY

Fig.1

Fix the wall fixture (A) with the appropriate expansion bolts.

**NOTE:** Select and employ screw plugs which are suited to the surface where the appliance is to be installed.

Connect the feed cables coming from the ceiling in the terminal box (G) and the earth cable to the earth terminal (H).

Assemble the ceiling rose (I).

WARNING! When installing and whenever acting on the appliance, ensure that the power supply has been switched off. For the installation of the spare-part, it is necessary to consult a qualified electrician.

SKYGARDEN 2 F0002044

EN

## RF6420100

GLASS DIFFUSER ASSEMBLY



WARNING! When installing and whenever acting on the appliance, ensure that the power supply has been switched off.  
For the installation of the spare-part, it is necessary to consult a qualified electrician.

SKYGARDEN 2 F0002044

EN

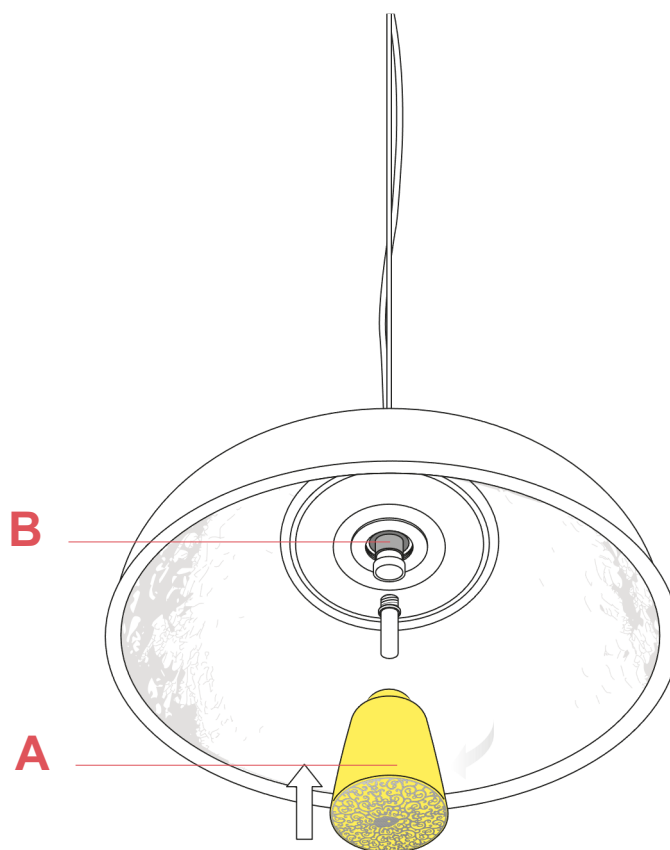
**RF6420100**  
GLASS DIFFUSER ASSEMBLY

Fig.1

Install the lamp-bulb then assemble the diffuser (A) on the body by fastening it onto the appropriate threaded screw (B).

**WARNING!** Screw on the diffuser (A) by keeping it perpendicular to the threaded screw (B).

**REMARK!!!** Screw on the diffuser without forcing. Once reaching the end of the thread loosen slightly to make it easy for a future removal.

WARNING! When installing and whenever acting on the appliance, ensure that the power supply has been switched off. For the installation of the spare-part, it is necessary to consult a qualified electrician.

©2021 Flos - All rights reserved - [www.flos.com](http://www.flos.com)  
Flos reserves the right to introduce any changes to its own models, without prior notice.

SKYGARDEN 2 F0002044

EN

**RF6420100**

GLASS DIFFUSER ASSEMBLY

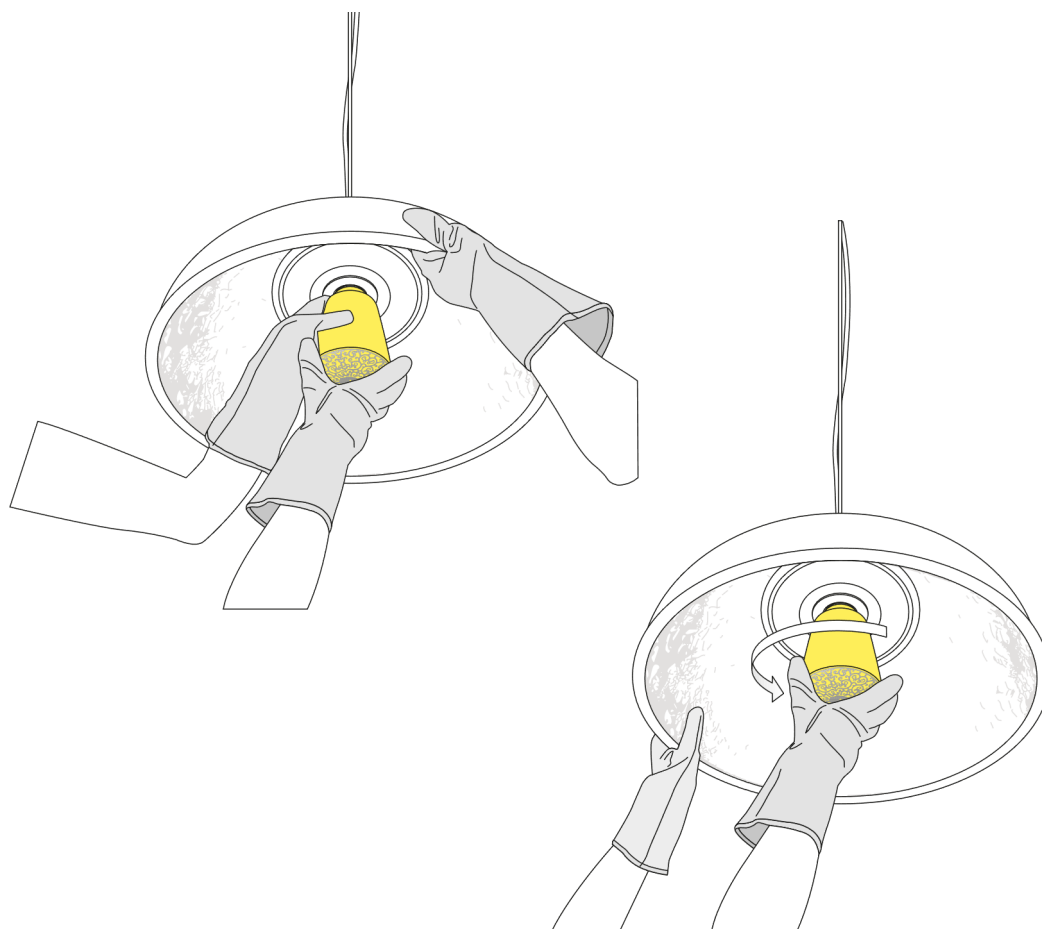


Fig.2

**LAMP-BULB REPLACEMENT INSTRUCTIONS**

Ensure that power has been turned off.

Check that the bulb is not too hot.

Wait 30 minutes with the bulb off before trying the procedure (the lamp bulb must be cold).

It is advisable to do this operation wearing clean gloves.

Keep the body lamp (C) firm with one hand and with the other hand remove the glass diffuser (A) by turning it anti-clockwise.

Should you encounter any problems with the removal of the diffuser ask another person to keep the body lamp firm and use both hands to remove the diffuser.

WARNING! When installing and whenever acting on the appliance, ensure that the power supply has been switched off. For the installation of the spare-part, it is necessary to consult a qualified electrician.

SKYGARDEN 2 F0002044

EN

## RF05382

KIT OF QUANTITY 5 OR RINGS



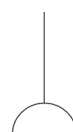
Glo-ball  
S1  
p.18



Glo-ball  
S2  
p.17



Skygarden  
1  
p.08



Skygarden  
2  
p.08



Skygarden  
Small  
p.08



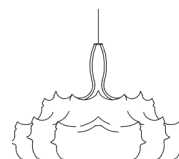
Smithfield  
S  
p.05



Smithfield  
S Pro  
p.05



Tatou  
S2  
p.11



Zeppelin 1  
p.05

WARNING! When installing and whenever acting on the appliance, ensure that the power supply has been switched off. For the installation of the spare-part, it is necessary to consult a qualified electrician.