

TOIO

Designed by Achille and Pier Giacomo Castiglioni, 1962

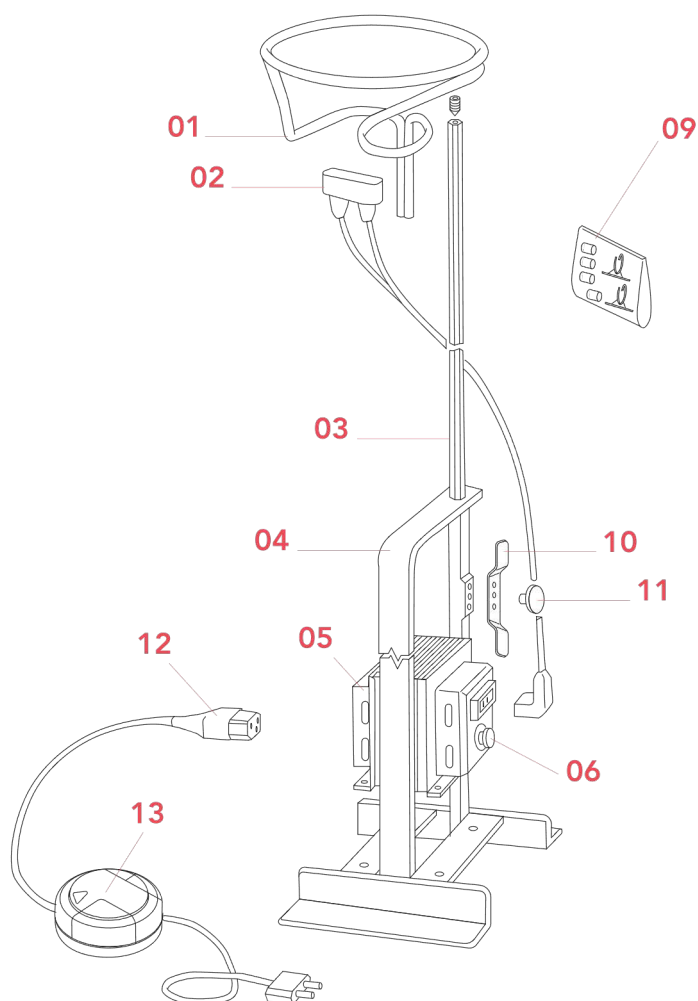
F7600035



TOIO

F7600035

EN



- 01. RF02774 – Nickel-plated brass little cage
- 02. RF04607 – Electric wiring transformer to bulb
- 03. RF02775 – Rod
- 04. RF02581 – Red base
- 05. RF17929 – Autotransformer direct
- 06. RF05784 – Fuse holder
- 09. RF7600100 – Wires loop assembly
- 10. RF06730 – Cable winder support
- 11. RF06732 – Nickel tap grip
- 12. RF19850 – Electrical wiring assembly with dimmer
- 13. RF24160 – Rondò dimmer

TOIO F7600035

EN

RF02774

NICKEL-PLATED BRASS CAGE



Toio
p.03



Toio Led
p.03

WARNING! When installing and whenever acting on the appliance, ensure that the power supply has been switched off.
For the installation of the spare-part, it is necessary to consult a qualified electrician.

TOIO F7600035

EN

RF02774

NICKEL-PLATED BRASS CAGE

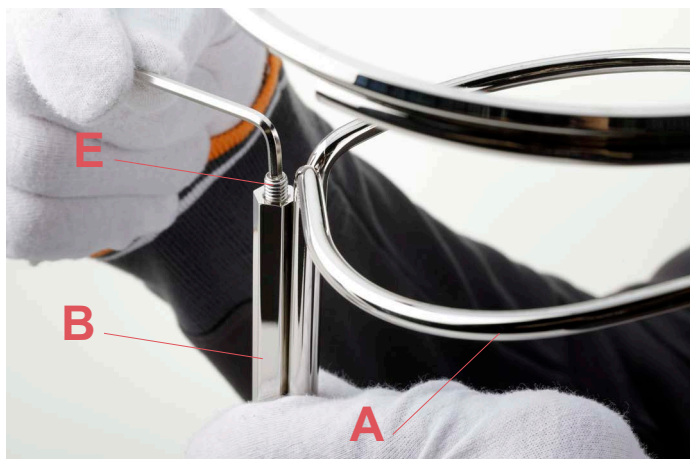


Fig.1



Fig.2

Unfasten the screw (E) and free the damaged bulb cage (A) from the rod (B).

Assemble now the new spare-part:

Place the lamp bulb cage (A) on the rod (B), ensuring that the insert (C) present on the cage (A) hooks inside the opening (D) of the rod (B).

Lock the cage (A) to the rod (B) by fastening the screw (E).

WARNING! When installing and whenever acting on the appliance, ensure that the power supply has been switched off. For the installation of the spare-part, it is necessary to consult a qualified electrician.

TOIO F7600035

EN

RF02774

NICKEL-PLATED BRASS CAGE

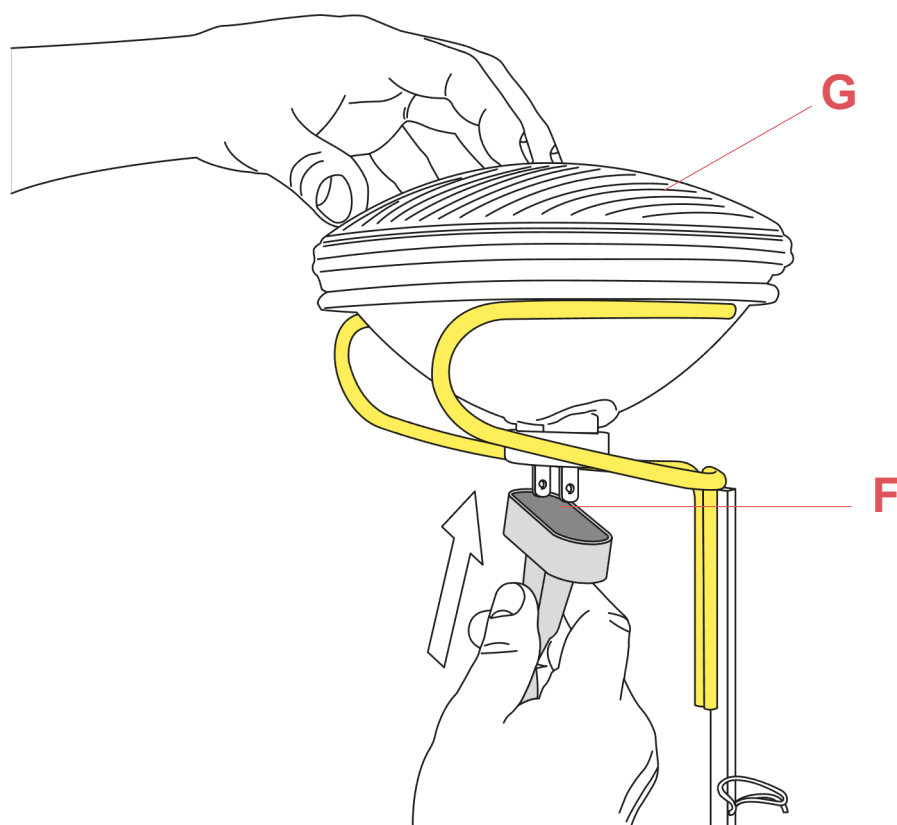


Fig.3

Insert the connector (F) inside the fitting of the lamp-bulb (G).

WARNING! When installing and whenever acting on the appliance, ensure that the power supply has been switched off.
For the installation of the spare-part, it is necessary to consult a qualified electrician.

TOIO F7600035

EN

RF04607

ELECTRICAL WIRING FROM TRANSFORMER TO BULB



Toio
p.06



Toio Led
p.06

WARNING! When installing and whenever acting on the appliance, ensure that the power supply has been switched off. For the installation of the spare-part, it is necessary to consult a qualified electrician.

TOIO F7600035

EN

RF04607

ELECTRICAL WIRING FROM TRANSFORMER TO BULB

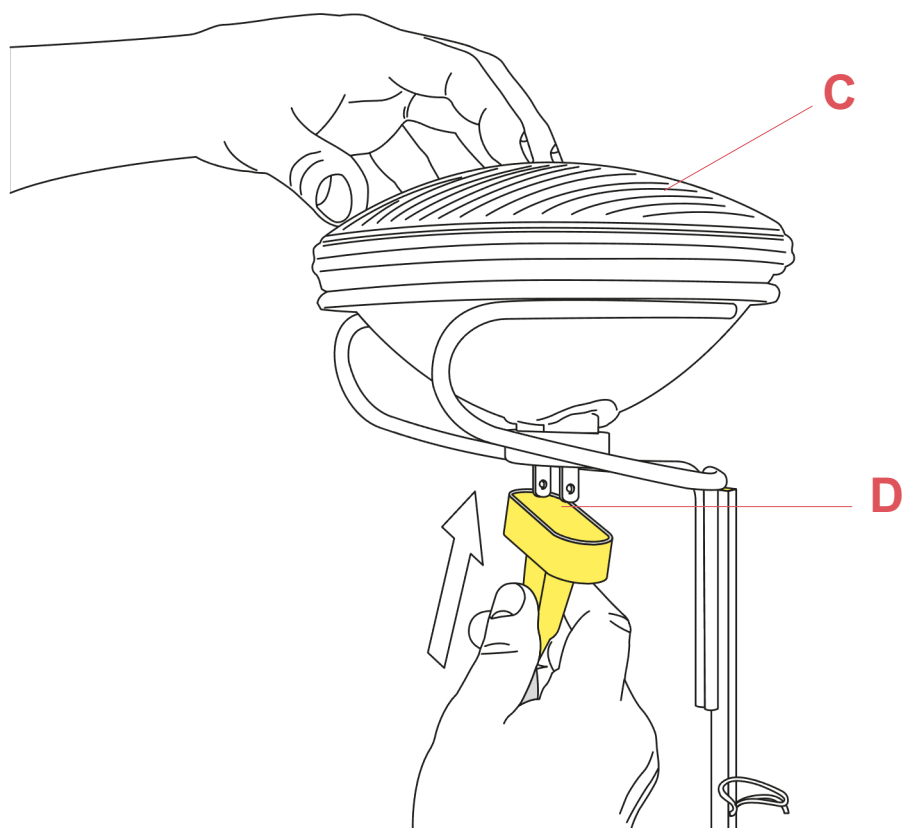


Fig.1

Insert the connector (D) inside the fitting of the lamp-bulb (C).

WARNING! When installing and whenever acting on the appliance, ensure that the power supply has been switched off.
For the installation of the spare-part, it is necessary to consult a qualified electrician.

TOIO F7600035

EN

RF04607

ELECTRICAL WIRING FROM TRANSFORMER TO BULB

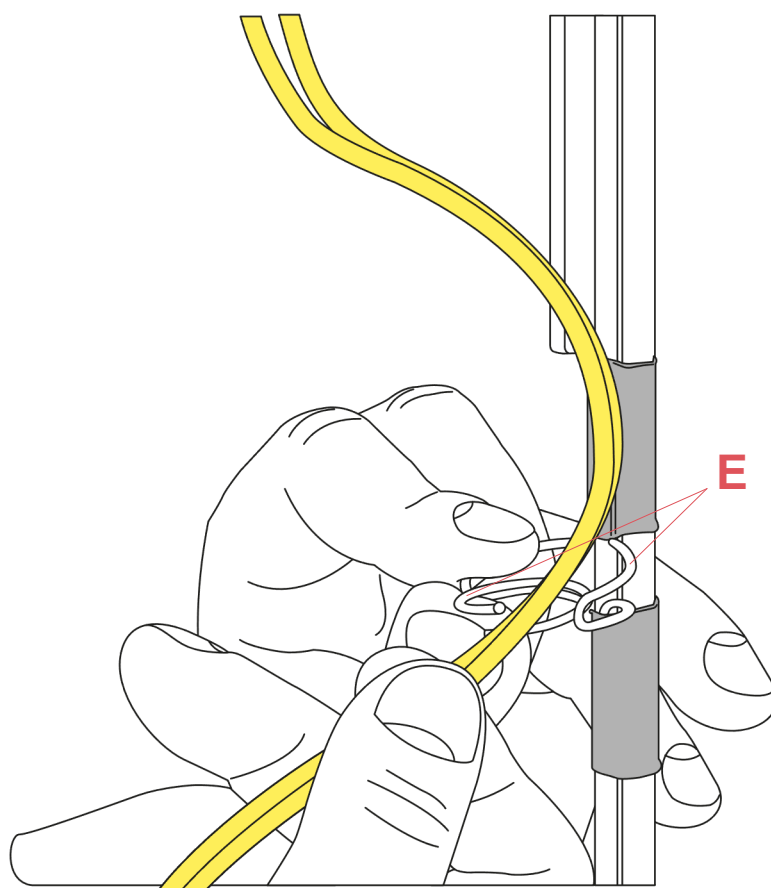


Fig.2

Pass the electrical cable through the cable loops (E).

WARNING! When installing and whenever acting on the appliance, ensure that the power supply has been switched off.
For the installation of the spare-part, it is necessary to consult a qualified electrician.

©2021 Flos - All rights reserved - www.flos.com
Flos reserves the right to introduce any changes to its own models, without prior notice.

TOIO F7600035

EN

RF04607

ELECTRICAL WIRING FROM TRANSFORMER TO BULB

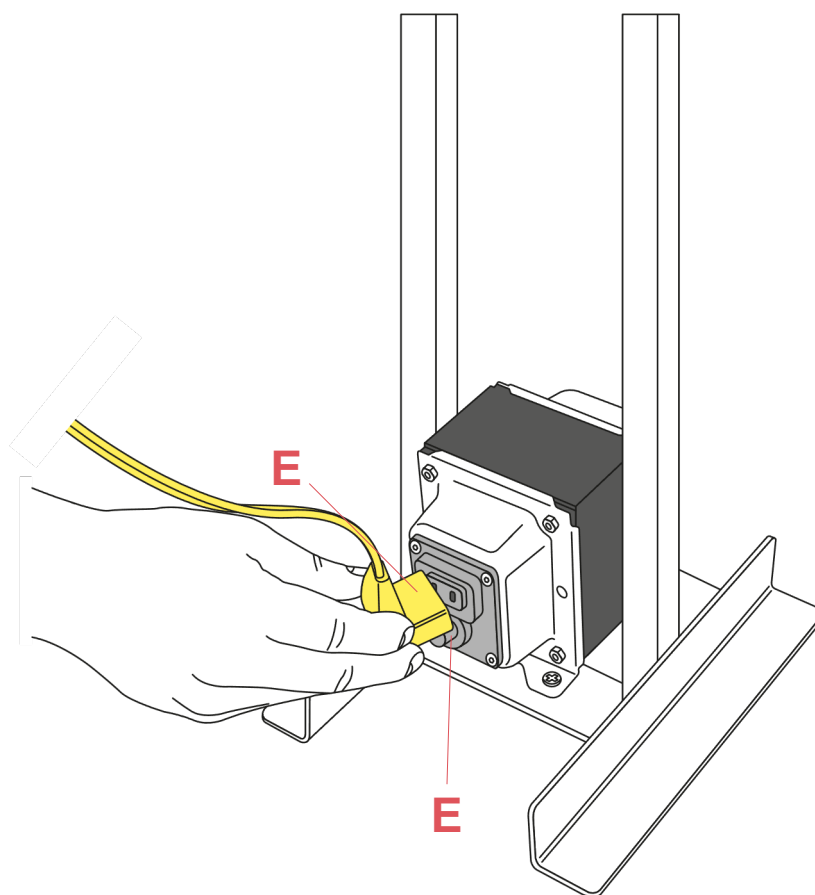


Fig.3

Connect the plug (F) to the socket (G) of the transformer.

WARNING! When installing and whenever acting on the appliance, ensure that the power supply has been switched off.
For the installation of the spare-part, it is necessary to consult a qualified electrician.

TOIO F7600035

EN

RF04607

ELECTRICAL WIRING FROM TRANSFORMER TO BULB

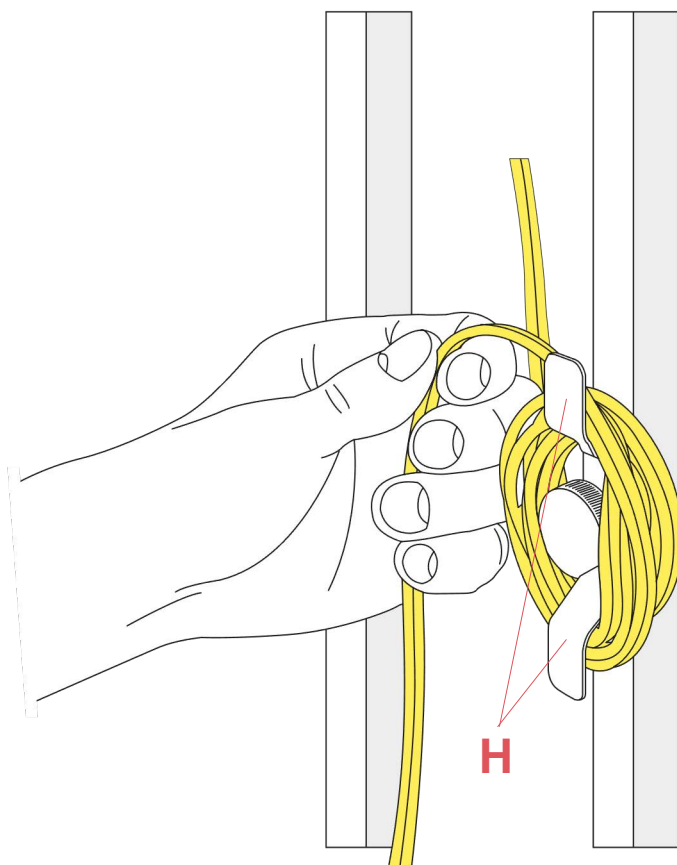


Fig.4

Wrap the excess cable around the cable winding support (H).

WARNING! When installing and whenever acting on the appliance, ensure that the power supply has been switched off.
For the installation of the spare-part, it is necessary to consult a qualified electrician.

©2021 Flos - All rights reserved - www.flos.com
Flos reserves the right to introduce any changes to its own models, without prior notice.

TOIO F7600035

EN

RF02775

ROD



Toio
p.11



Toio Led
p.11

WARNING! When installing and whenever acting on the appliance, ensure that the power supply has been switched off.
For the installation of the spare-part, it is necessary to consult a qualified electrician.

TOIO F7600035

EN

RF02775

ROD

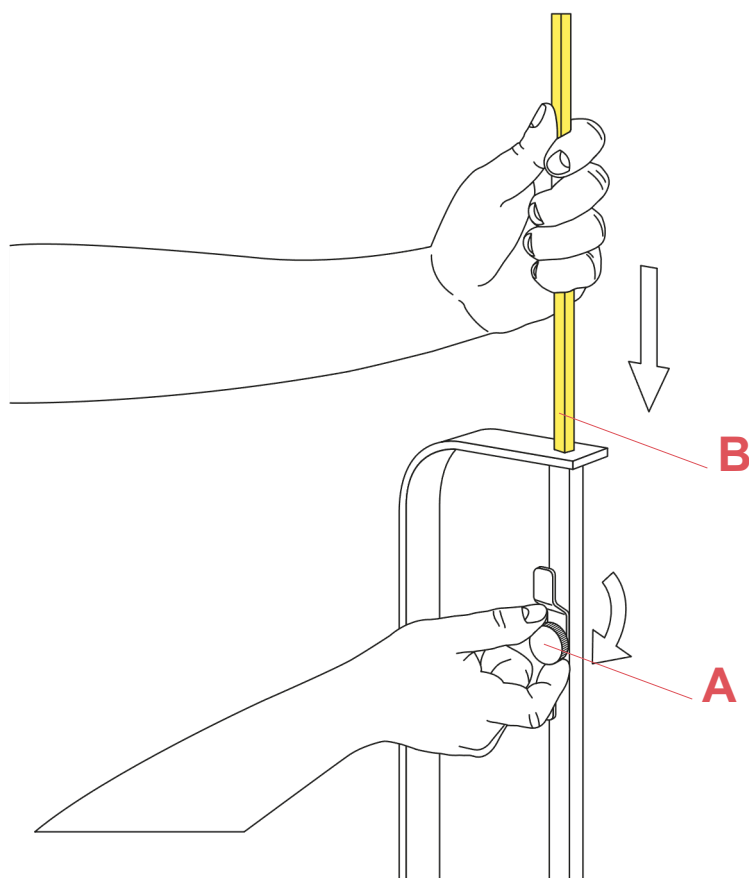


Fig.1

Insert the rod (B) in the lamp base by unfasten the knob (A).

WARNING! When installing and whenever acting on the appliance, ensure that the power supply has been switched off.
For the installation of the spare-part, it is necessary to consult a qualified electrician.

TOIO F7600035

EN

RF02775

ROD

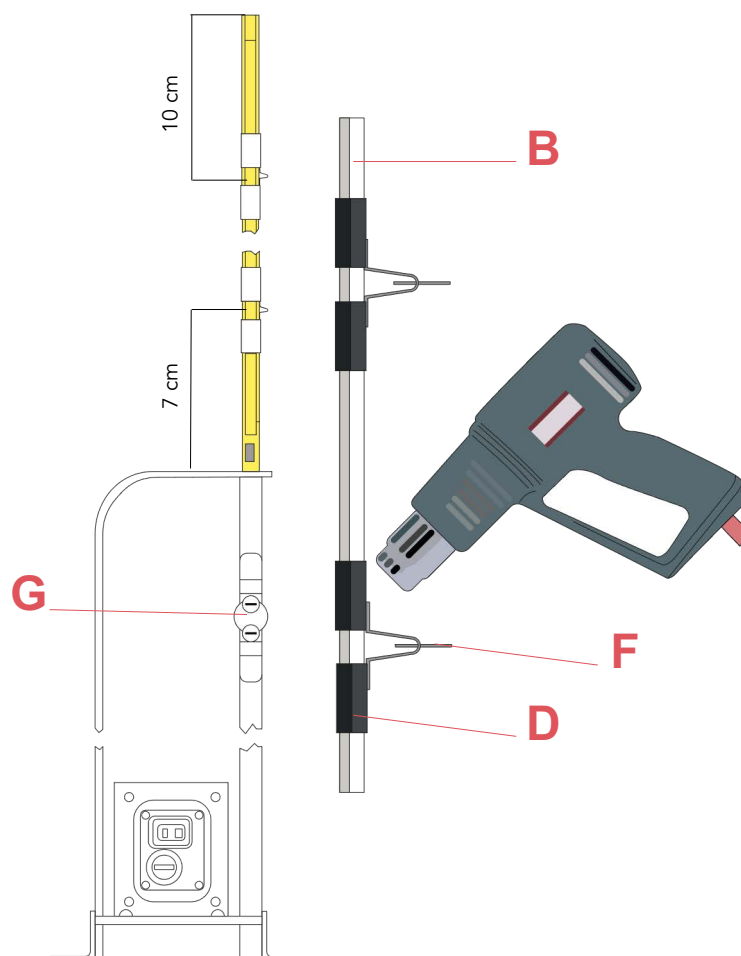


Fig.2

Insert through the rod (B) all the black heat shrink tubes (D).
Collocate the loops (F) between the heat shrink tubes (D) and shrink the tubes (D) by utilizing a heat gun.

REMARK!!! Position the loops (F) facing the left hand side of the rod (B). The loops must stay on the side where present the knob and cable winder (G).

WARNING! When installing and whenever acting on the appliance, ensure that the power supply has been switched off.
For the installation of the spare-part, it is necessary to consult a qualified electrician.

TOIO F7600035

EN

RF02775

ROD

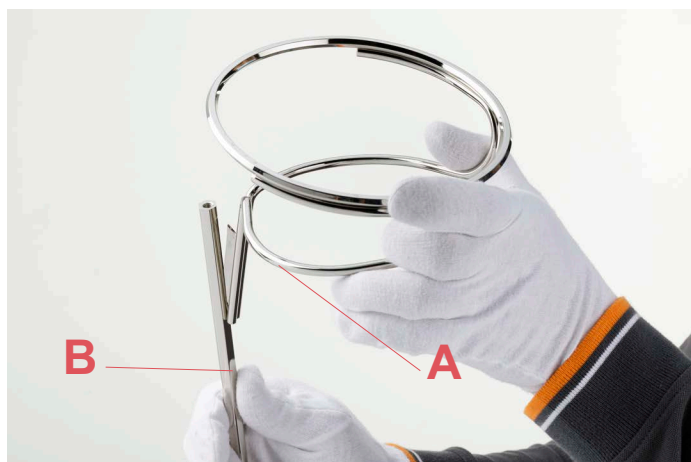


Fig.3



Fig.4

Place the lamp bulb cage (A) on the rod (B), ensuring that the insert (H) present on the cage (A) hooks inside the opening (I) of the rod (B).

WARNING! When installing and whenever acting on the appliance, ensure that the power supply has been switched off. For the installation of the spare-part, it is necessary to consult a qualified electrician.

TOIO F7600035

EN

RF02775

ROD

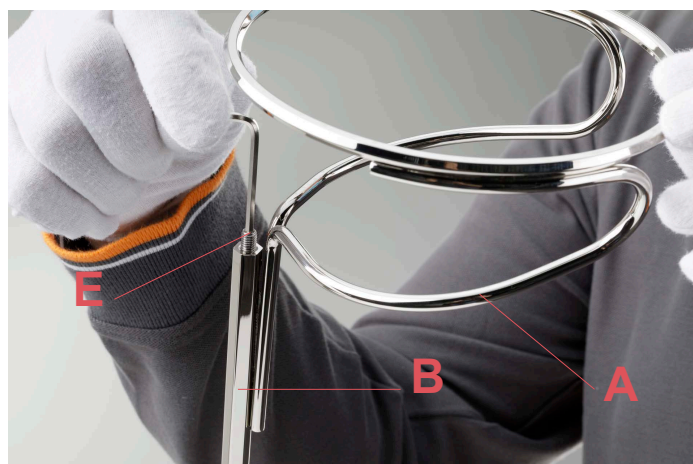


Fig.5

Lock the cage (A) to the rod (B) by fastening the screw (C).

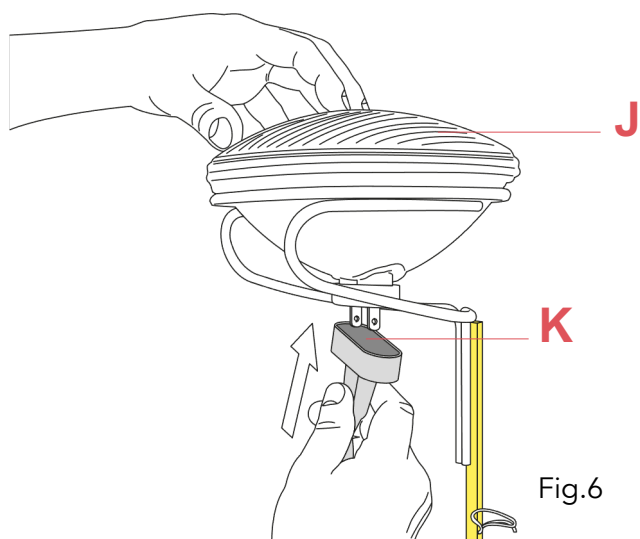


Fig.6

Insert the connector (K) inside the fitting of the lamp-bulb (J).

WARNING! When installing and whenever acting on the appliance, ensure that the power supply has been switched off. For the installation of the spare-part, it is necessary to consult a qualified electrician.

TOIO F7600035

EN

RF02775

ROD

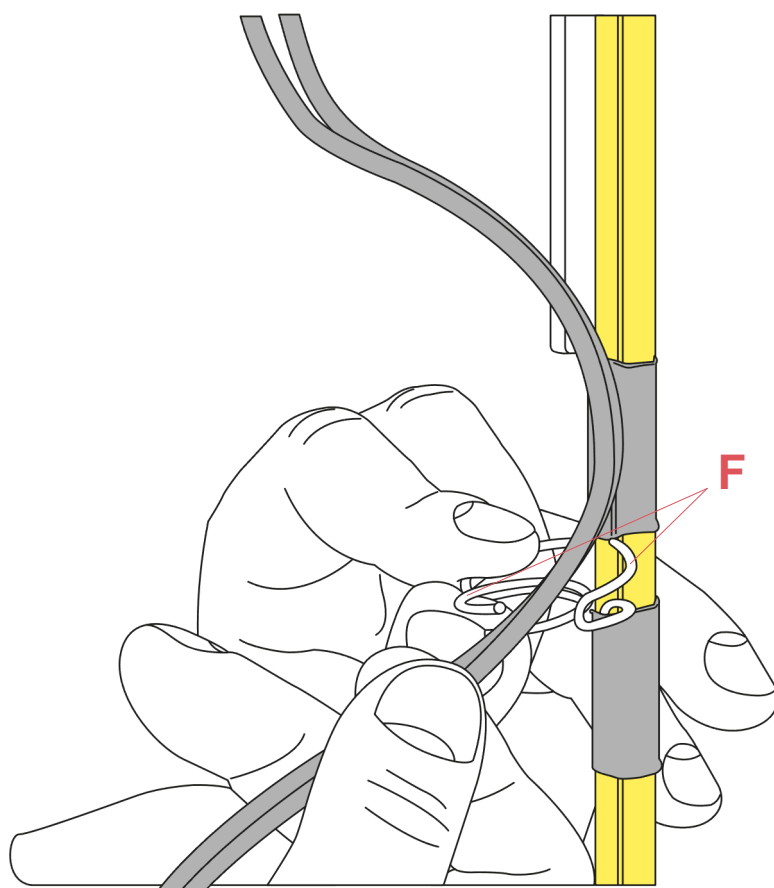


Fig.7

Pass the electrical cable through the cable loops (F).

WARNING! When installing and whenever acting on the appliance, ensure that the power supply has been switched off.
For the installation of the spare-part, it is necessary to consult a qualified electrician.

©2021 Flos - All rights reserved - www.flos.com
Flos reserves the right to introduce any changes to its own models, without prior notice.

TOIO F7600035

EN

RF02775

ROD

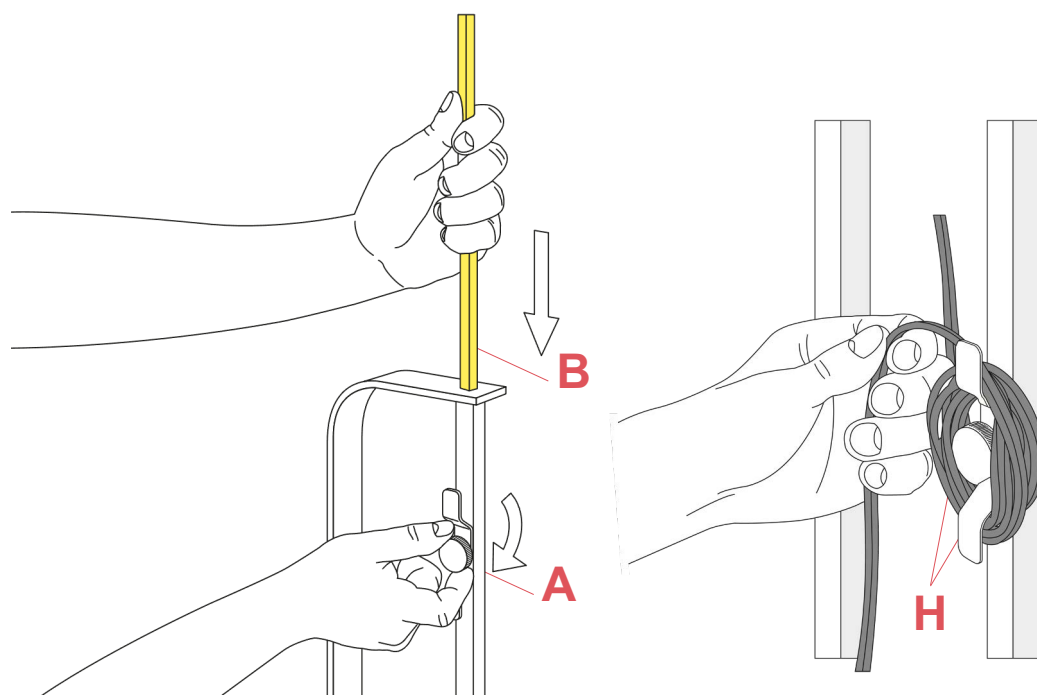


Fig.8

Adjust the height of the rod (B) and then fasten the knob (A).
Wrap the excess cable around the cable winding support (H).

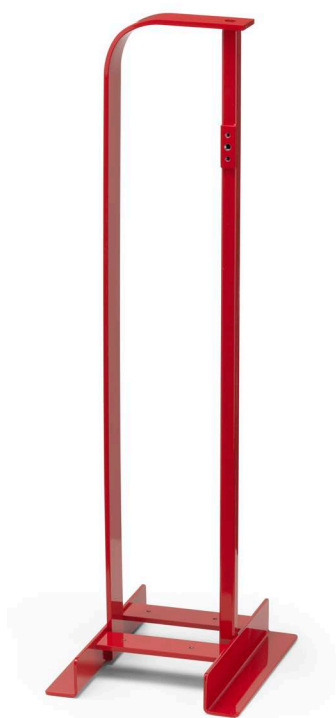
WARNING! When installing and whenever acting on the appliance, ensure that the power supply has been switched off.
For the installation of the spare-part, it is necessary to consult a qualified electrician.

TOIO F7600035

EN

RF02581

LAMP BASE



Toio
p.18



Toio Led
p.18

WARNING! When installing and whenever acting on the appliance, ensure that the power supply has been switched off.
For the installation of the spare-part, it is necessary to consult a qualified electrician.

TOIO F7600035

EN

RF17929
TRANSFORMER

WARNING! When installing and whenever acting on the appliance, ensure that the power supply has been switched off.
For the installation of the spare-part, it is necessary to consult a qualified electrician.

©2021 Flos - All rights reserved - www.flos.com
Flos reserves the right to introduce any changes to its own models, without prior notice.

TOIO F7600035

EN

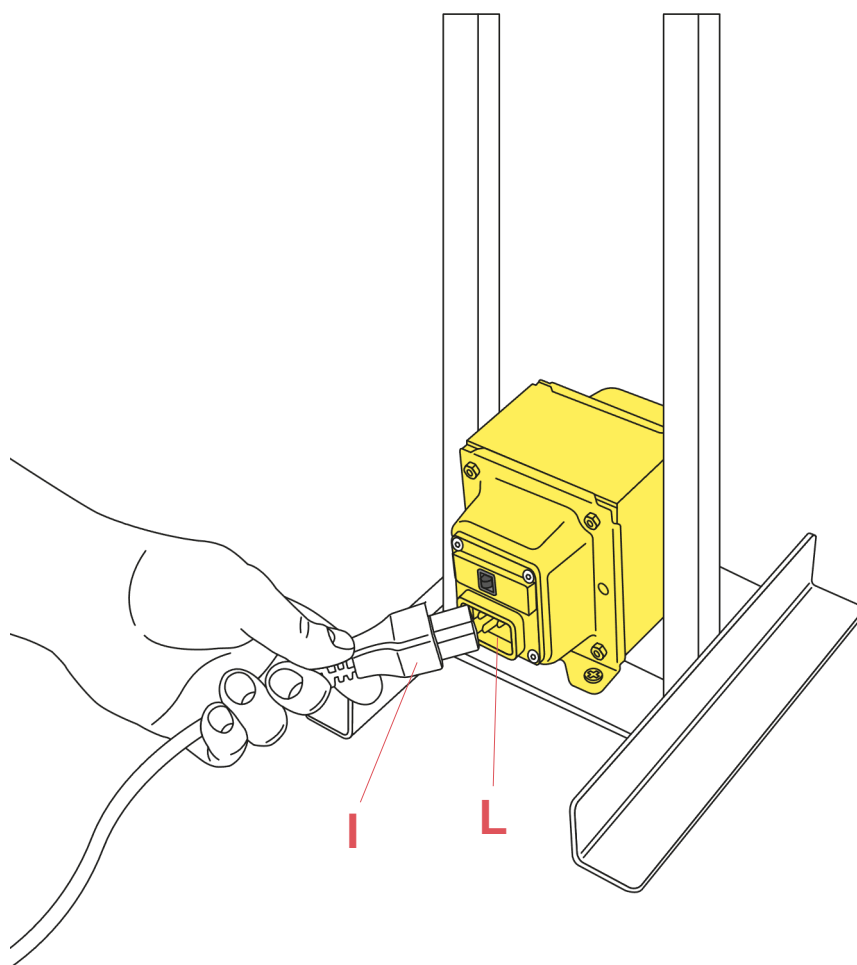
RF17929
TRANSFORMER

Fig.1

Disconnect the power supply plug (I) from the transformer socket (L).

WARNING! When installing and whenever acting on the appliance, ensure that the power supply has been switched off.
For the installation of the spare-part, it is necessary to consult a qualified electrician.

©2021 Flos - All rights reserved - www.flos.com
Flos reserves the right to introduce any changes to its own models, without prior notice.

TOIO F7600035

EN

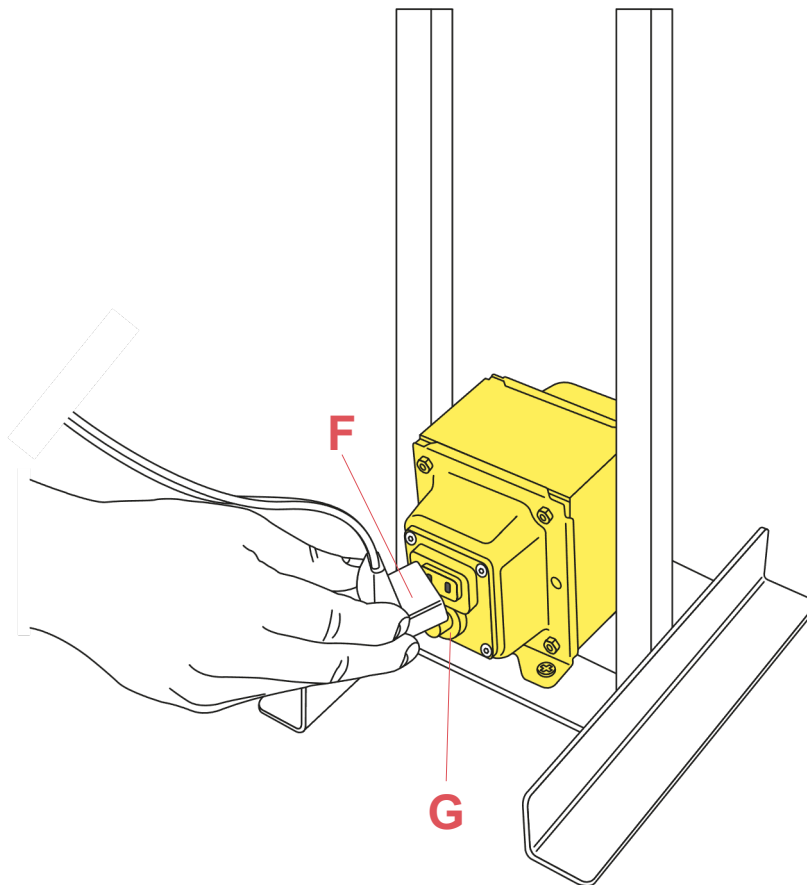
RF17929
TRANSFORMER

Fig.2

Disconnect the power supply plug (I) from the transformer socket (L).

WARNING! When installing and whenever acting on the appliance, ensure that the power supply has been switched off.
For the installation of the spare-part, it is necessary to consult a qualified electrician.

©2021 Flos - All rights reserved - www.flos.com
Flos reserves the right to introduce any changes to its own models, without prior notice.

TOIO F7600035

EN

RF17929

TRANSFORMER

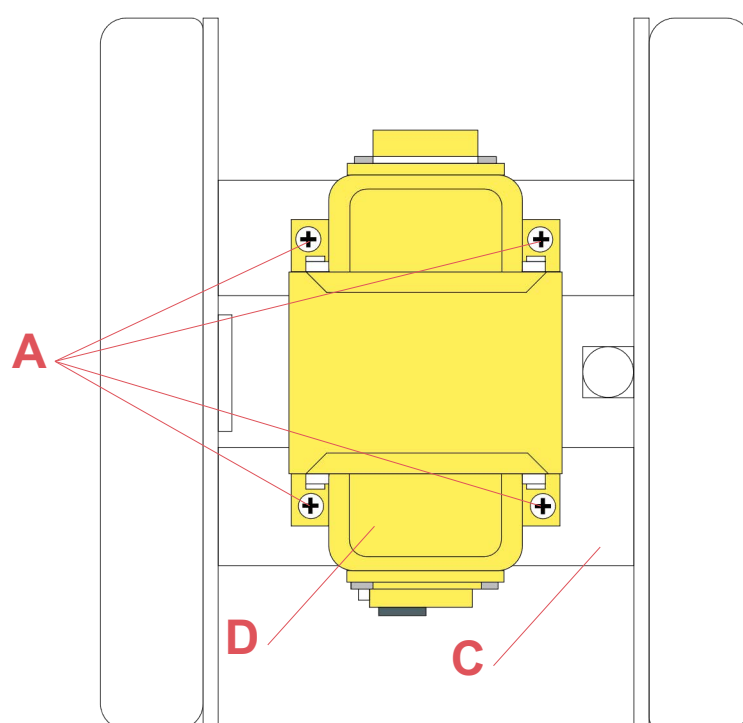


Fig.3

On the lamp base (C), unfasten by utilizing a long type screwdriver (C), the 4 fixing screws (A) with relative washers.

Remove the damaged transformer (D) from the lamp base (C).

Assemble now the new spare-part:

Collocate the new transformer (D) on the lamp base (C) and then fasten the 4 screws (A) with there apposite washers.

Connect the plug (F) to the socket (G) of the transformer.(Fig.2 page 21)

Connect the plug (I) to the socket (L).(Fig.1 page 20)

WARNING! When installing and whenever acting on the appliance, ensure that the power supply has been switched off.
For the installation of the spare-part, it is necessary to consult a qualified electrician.

TOIO F7600035

EN

RF05784

P2001 6A 250V FUSE HOLDER



Toio
p.23



Toio Led
p.23

WARNING! When installing and whenever acting on the appliance, ensure that the power supply has been switched off.
For the installation of the spare-part, it is necessary to consult a qualified electrician.

TOIO F7600035

EN

RF7600100

WIRE LOOP ASSEMBLY



Toio
p.24



Toio Led
p.24

WARNING! When installing and whenever acting on the appliance, ensure that the power supply has been switched off.
For the installation of the spare-part, it is necessary to consult a qualified electrician.

TOIO F7600035

EN

RF7600100

WIRE LOOP ASSEMBLY

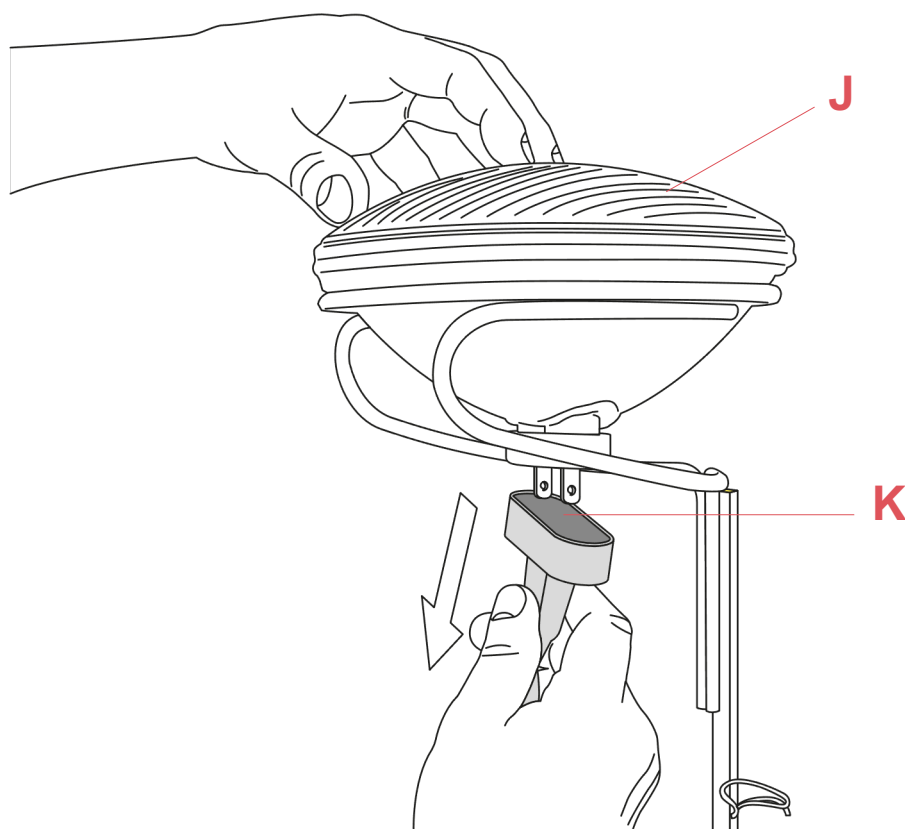


Fig.1

Disconnect the connector (K) from the lamp bulb (J) fitting.

WARNING! When installing and whenever acting on the appliance, ensure that the power supply has been switched off.
For the installation of the spare-part, it is necessary to consult a qualified electrician.

TOIO F7600035

EN

RF7600100

WIRE LOOP ASSEMBLY



Fig.2

Unfasten the screw (C) and free the bulb cage (A) from the rod (B).

WARNING! When installing and whenever acting on the appliance, ensure that the power supply has been switched off. For the installation of the spare-part, it is necessary to consult a qualified electrician.

©2021 Flos - All rights reserved - www.flos.com
Flos reserves the right to introduce any changes to its own models, without prior notice.

TOIO F7600035

EN

RF7600100

WIRE LOOP ASSEMBLY

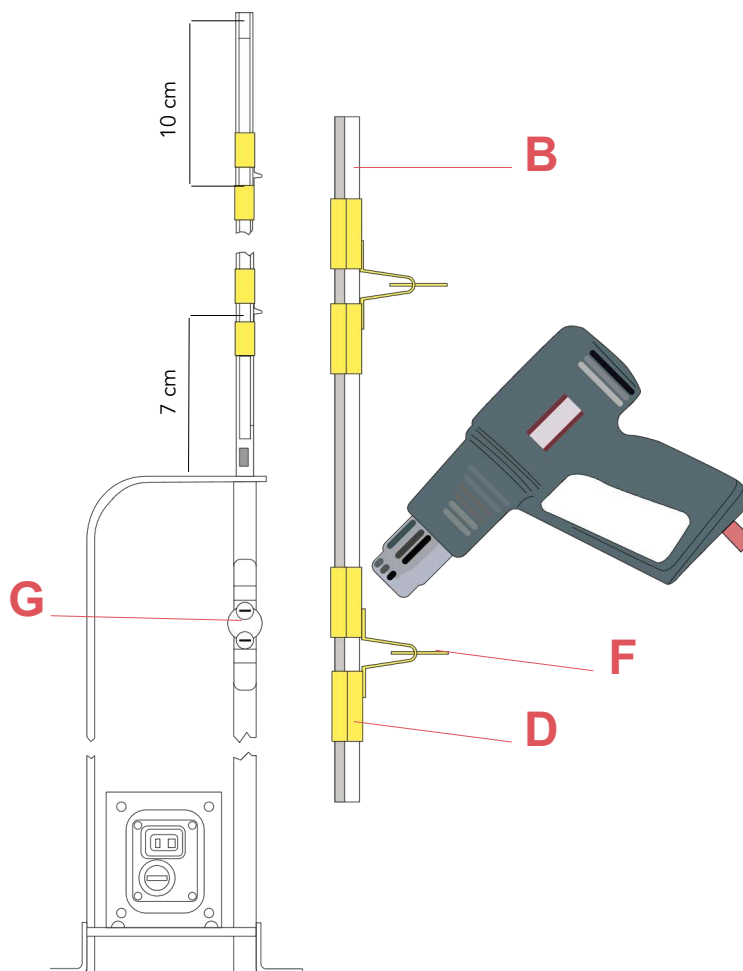


Fig.3

Insert through the rod (B) all the black heat shrink tubes (D).
Collocate the loops (F) between the heat shrink tubes (D) and shrink the tubes (D) by utilizing a heat gun.

REMARK!!! Position the loops (F) facing the left hand side of the rod (B). The loops must stay on the side where present the knob and cable winder (G).

WARNING! When installing and whenever acting on the appliance, ensure that the power supply has been switched off. For the installation of the spare-part, it is necessary to consult a qualified electrician.

TOIO F7600035

EN

RF7600100

WIRE LOOP ASSEMBLY

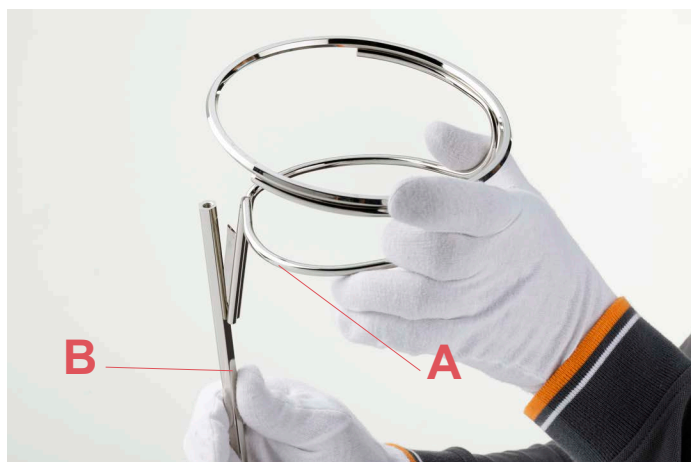


Fig.4



Fig.5

Place the lamp bulb cage (A) on the rod (B), ensuring that the insert (H) present on the cage (A) hooks inside the opening (I) of the rod (B).

WARNING! When installing and whenever acting on the appliance, ensure that the power supply has been switched off. For the installation of the spare-part, it is necessary to consult a qualified electrician.

TOIO F7600035

EN

RF7600100

WIRE LOOP ASSEMBLY

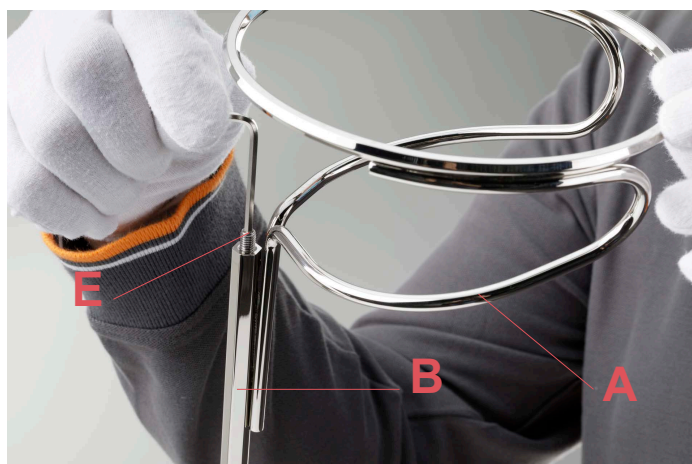


Fig.6

Lock the cage (A) to the rod (B) by fastening the screw (C).

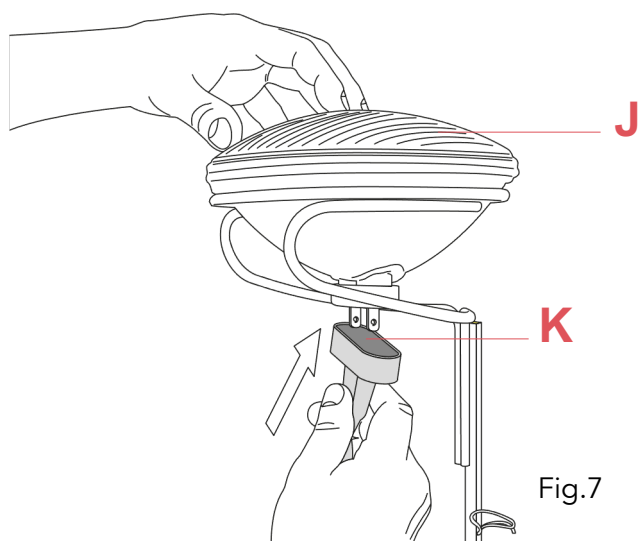


Fig.7

Insert the connector (K) inside the fitting of the lamp-bulb (J).

WARNING! When installing and whenever acting on the appliance, ensure that the power supply has been switched off. For the installation of the spare-part, it is necessary to consult a qualified electrician.

TOIO F7600035

EN

RF7600100

WIRE LOOP ASSEMBLY

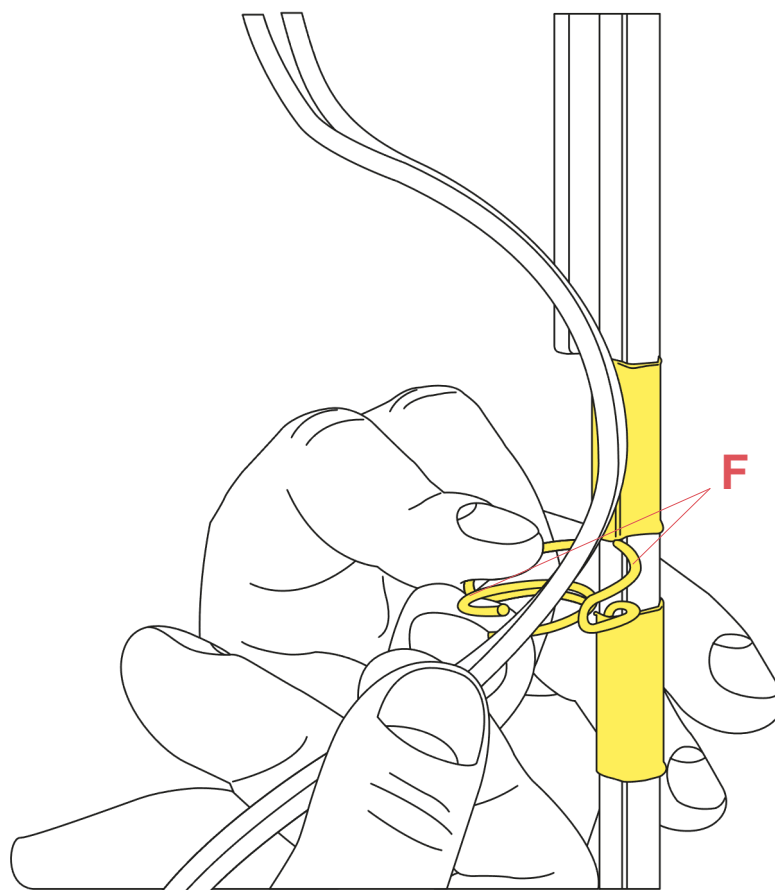


Fig.8

Pass the electrical cable through the cable loops (F).

WARNING! When installing and whenever acting on the appliance, ensure that the power supply has been switched off.
For the installation of the spare-part, it is necessary to consult a qualified electrician.

©2021 Flos - All rights reserved - www.flos.com
Flos reserves the right to introduce any changes to its own models, without prior notice.

TOIO F7600035

EN

RF06730

CABLE WINDER SUPPORT



Toio
p.31



Toio Led
p.31

WARNING! When installing and whenever acting on the appliance, ensure that the power supply has been switched off. For the installation of the spare-part, it is necessary to consult a qualified electrician.

TOIO F7600035

EN

RF06730

CABLE WINDER SUPPORT

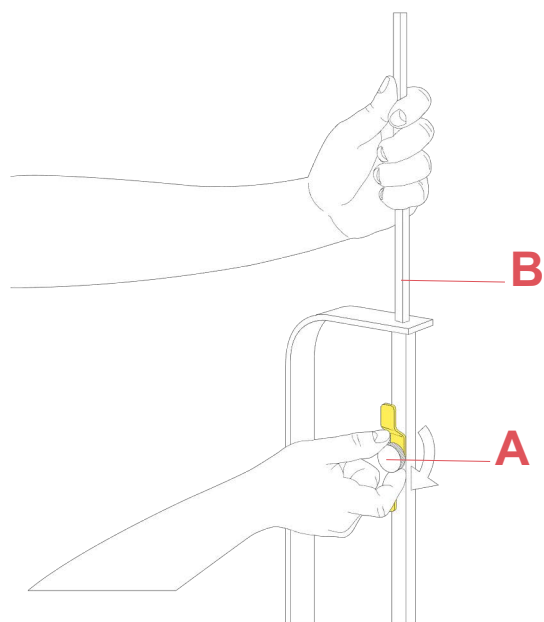


Fig.1

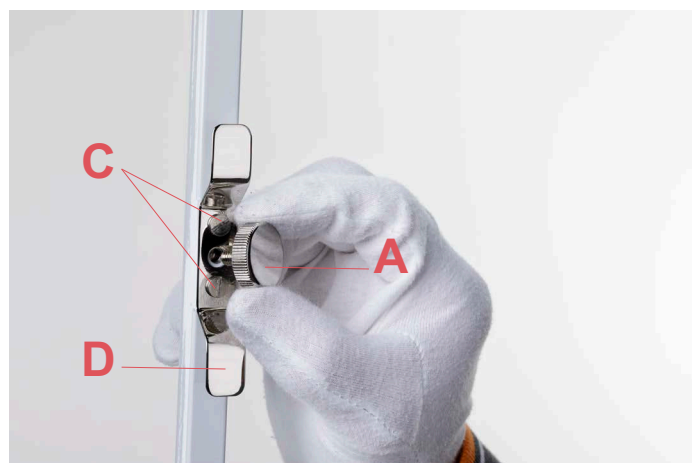


Fig.2

It is necessary to hold the rod (B) and unfasten the knob (A).
Unfasten the 2 screws (C) and free the broken cable winder support (D).

Assemble now the new spare-part:

Position the cable winder support (D) on the lamp base (E), ensuring that the holes present on the winder support (D) correspond with the holes present on the lamp base (E).

Tighten slightly the knob (A) without fastening it.

WARNING! When installing and whenever acting on the appliance, ensure that the power supply has been switched off. For the installation of the spare-part, it is necessary to consult a qualified electrician.

TOIO F7600035

EN

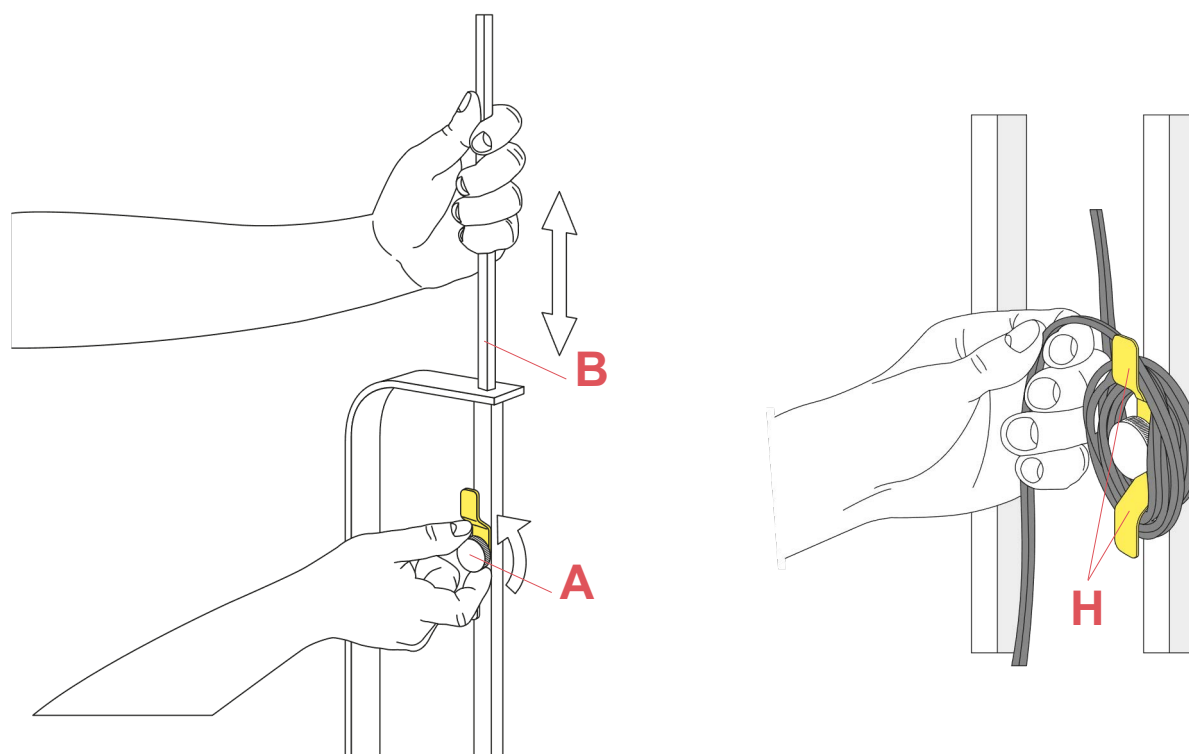
RF06730
CABLE WINDER SUPPORT

Fig.3

Adjust the height of the rod (B) and then fasten the knob (A).
Wrap the excess cable around the cable winding support (H).

WARNING! When installing and whenever acting on the appliance, ensure that the power supply has been switched off.
For the installation of the spare-part, it is necessary to consult a qualified electrician.

©2021 Flos - All rights reserved - www.flos.com
Flos reserves the right to introduce any changes to its own models, without prior notice.

TOIO F7600035

EN

RF06732

NICKEL KNOB



Toio
p.34



Toio Led
p.34

WARNING! When installing and whenever acting on the appliance, ensure that the power supply has been switched off.
For the installation of the spare-part, it is necessary to consult a qualified electrician.

TOIO F7600035

EN

RF06732

NICKEL KNOB

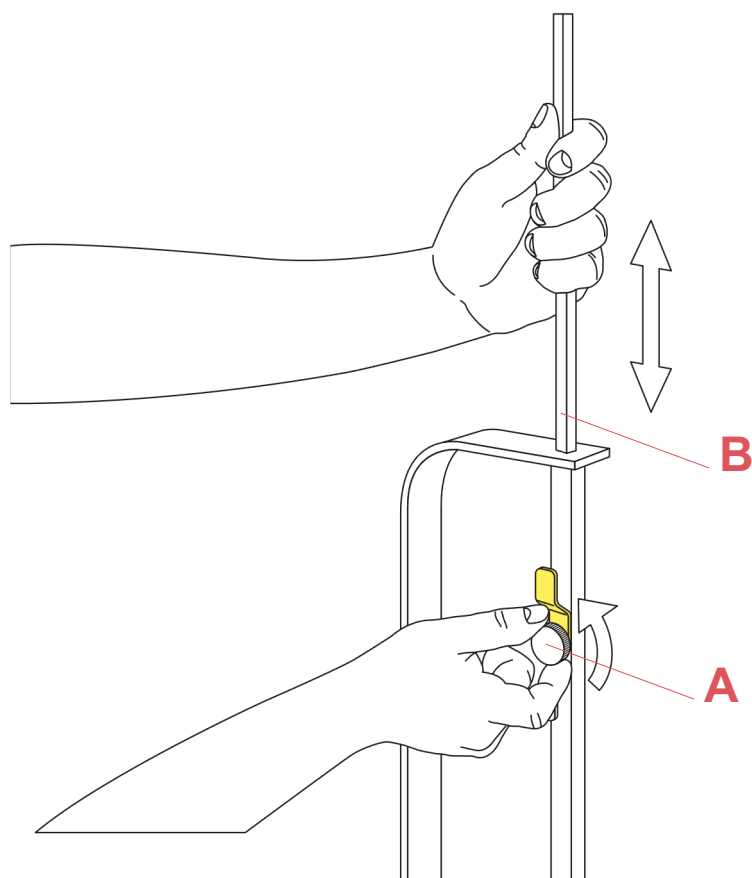


Fig.1

Adjust the height of the rod (B) and then install the knob (A) by tightening it.

WARNING! When installing and whenever acting on the appliance, ensure that the power supply has been switched off. For the installation of the spare-part, it is necessary to consult a qualified electrician.

TOIO F7600035

EN

RF19850

ELECTRICAL WIRING ASSEMBLY WITH RONDO' DIMMER



WARNING! When installing and whenever acting on the appliance, ensure that the power supply has been switched off.
For the installation of the spare-part, it is necessary to consult a qualified electrician.

TOIO F7600035

EN

RF19850

ELECTRICAL WIRING ASSEMBLY WITH RONDO' DIMMER

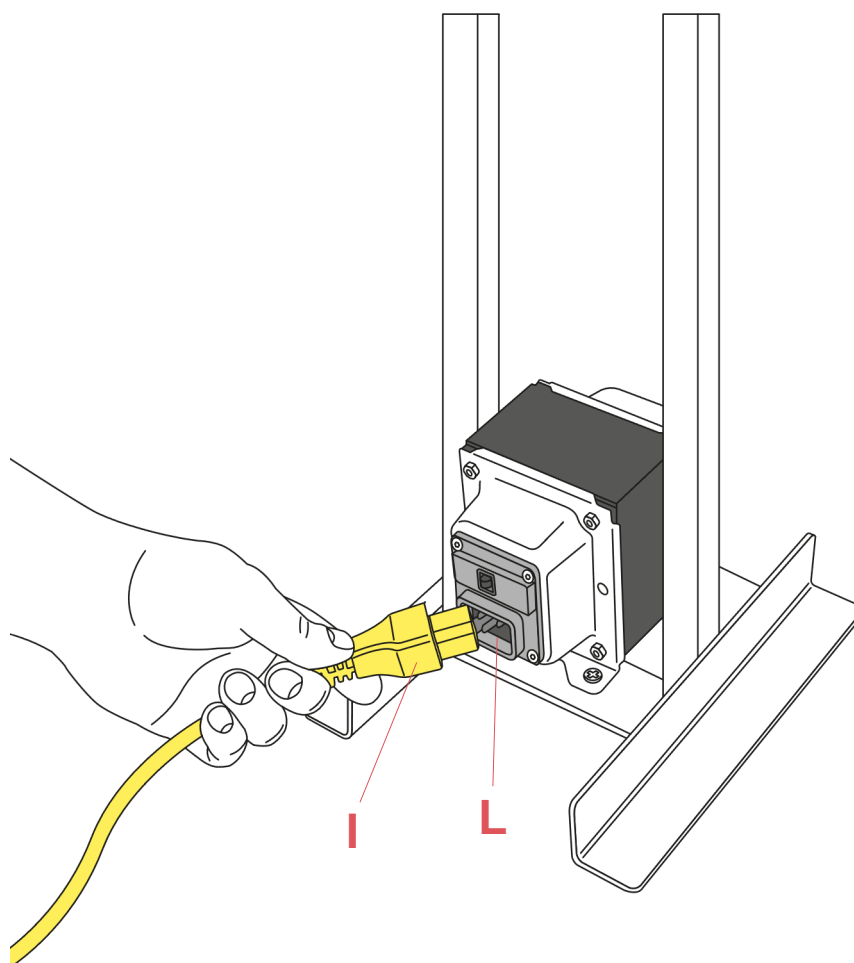


Fig.1

Connect the plug (I) to the socket (L).

WARNING! When installing and whenever acting on the appliance, ensure that the power supply has been switched off.
For the installation of the spare-part, it is necessary to consult a qualified electrician.

TOIO F7600035

EN

RF24160

BLACK 300W 220V-240V RONDÒ DIMMER



WARNING! When installing and whenever acting on the appliance, ensure that the power supply has been switched off.
For the installation of the spare-part, it is necessary to consult a qualified electrician.

TOIO F7600035

EN

RF24160

BLACK 300W 220V-240V RONDÒ DIMMER



Fig.1



Fig.2

Open the box of the damaged dimmer.

For the opening, it is necessary to remove the rubber pad from underneath the dimmer box;

Unfasten the screw that locks the triangle terminal cover;

WARNING! When installing and whenever acting on the appliance, ensure that the power supply has been switched off.
For the installation of the spare-part, it is necessary to consult a qualified electrician.

TOIO F7600035

EN

RF24160

BLACK 300W 220V-240V RONDÒ DIMMER



Fig.3

Turn the dimmer box and remove the terminal cover.

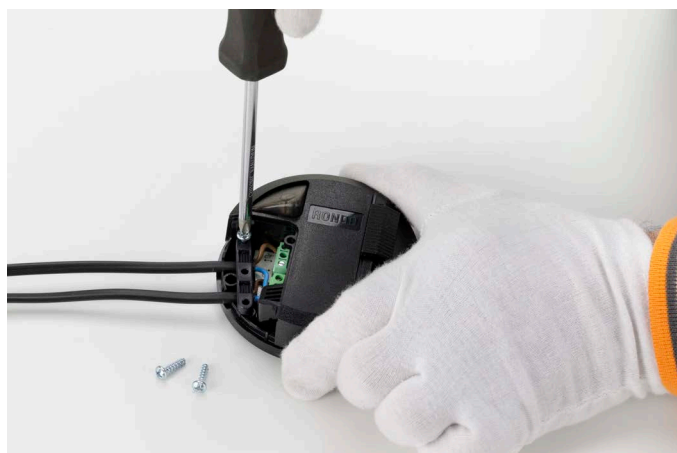


Fig.4

Unfasten the three screws of the cable clamps.

WARNING! When installing and whenever acting on the appliance, ensure that the power supply has been switched off. For the installation of the spare-part, it is necessary to consult a qualified electrician.

TOIO F7600035

EN

RF24160

BLACK 300W 220V-240V RONDÒ DIMMER



Fig.5

Remove the cable clamp (Fig.5) and disconnect the cables from the green terminal box.(Fig.6).

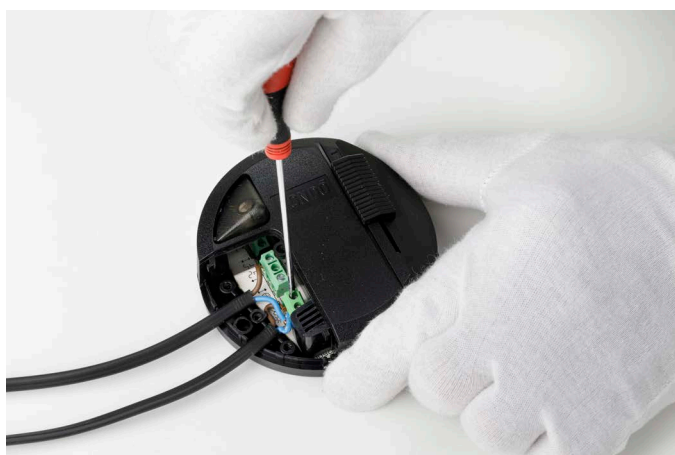


Fig.6

Assemble now the new dimmer:
Connect the cables respecting the polarities, lock the wires by positioning the cable clamp and then fasten the three screws, cover the green terminal box with the triangle cover, turn the dimmer box, fasten the screw and stick-on the rubber pads.

WARNING! When installing and whenever acting on the appliance, ensure that the power supply has been switched off.
For the installation of the spare-part, it is necessary to consult a qualified electrician.