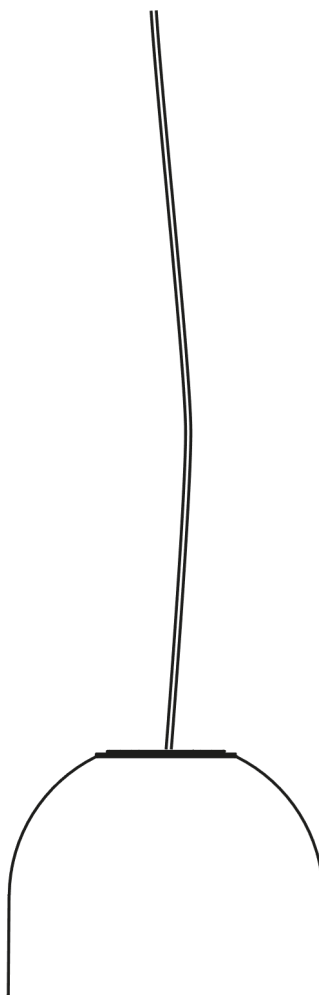


WAN S

Designed by Johanna Grawunder, 2006

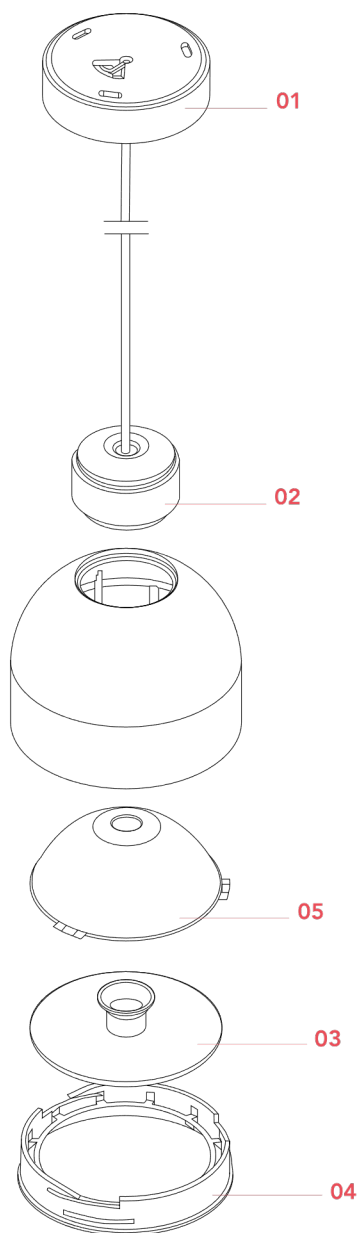
F9560030



WAN S

F9560030

EN



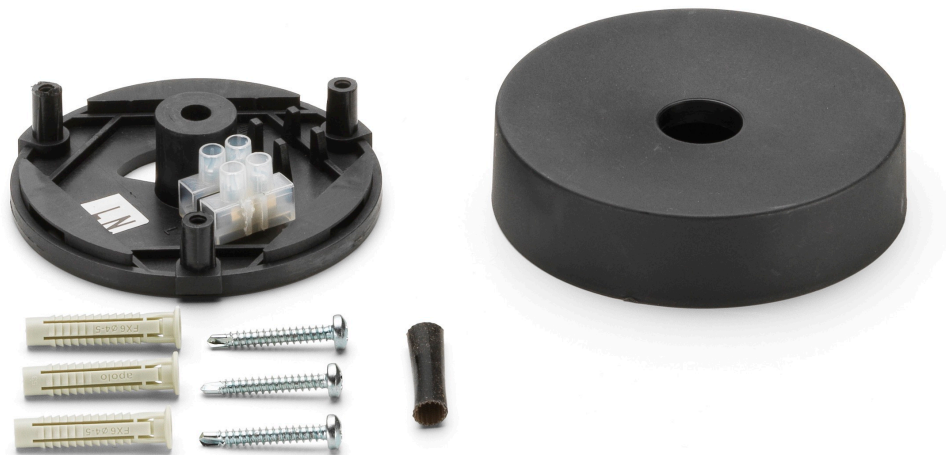
- 01. RF9560130 – Black rose assembly
- 02. RF9560200 – G9 lamp holder with inner ring & with 2,5mt cable
- 03. RF9550200 – Wan glass assembly
- 04. RF13990 – Black external ring
- 05. RF955130 – Reflector with external black ring

WAN S F9560030

EN

RF9560130

BLACK ROSE ASSEMBLY



WARNING! When installing and whenever acting on the appliance, ensure that the power supply has been switched off. For the installation of the spare-part, it is necessary to consult a qualified electrician.

©2021 Flos - All rights reserved - www.flos.com
Flos reserves the right to introduce any changes to its own models, without prior notice.

WAN S F9560030

EN

RF9560130

BLACK ROSE ASSEMBLY

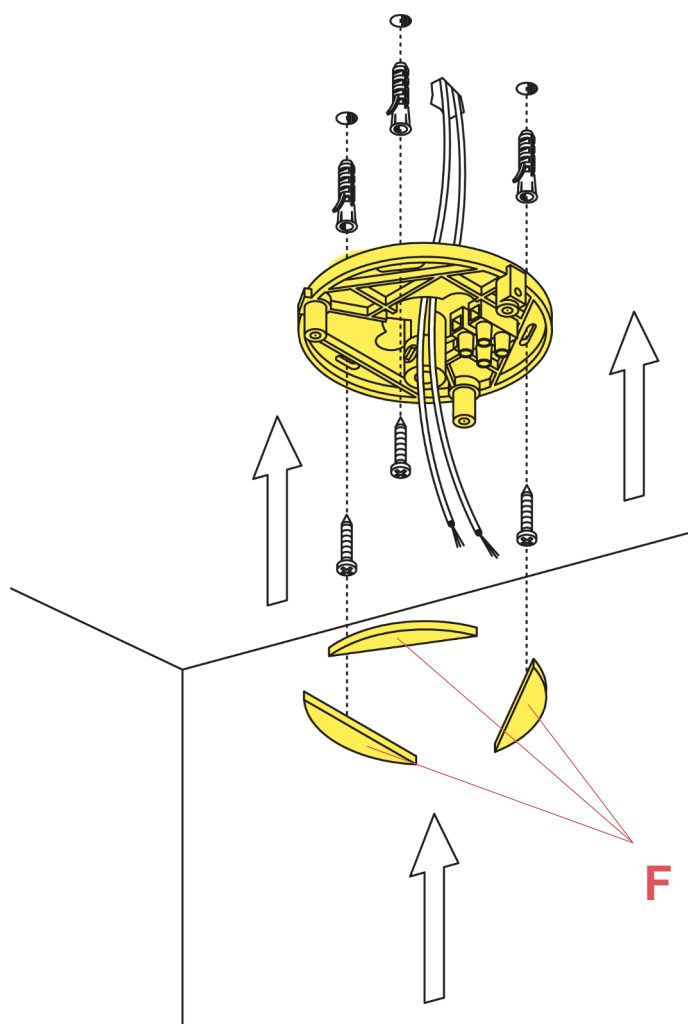


Fig.1

Fasten the wall fitting to the ceiling with screws and screw anchors, making sure the power cables pass through the central hole. Utilize the 3 protection covers (F) to cover the screws. **NOTE:** Choose screw anchors that are suitable for the type of mounting surface.

WARNING! When installing and whenever acting on the appliance, ensure that the power supply has been switched off. For the installation of the spare-part, it is necessary to consult a qualified electrician.

WAN S F9560030

EN

RF9560130

BLACK ROSE ASSEMBLY

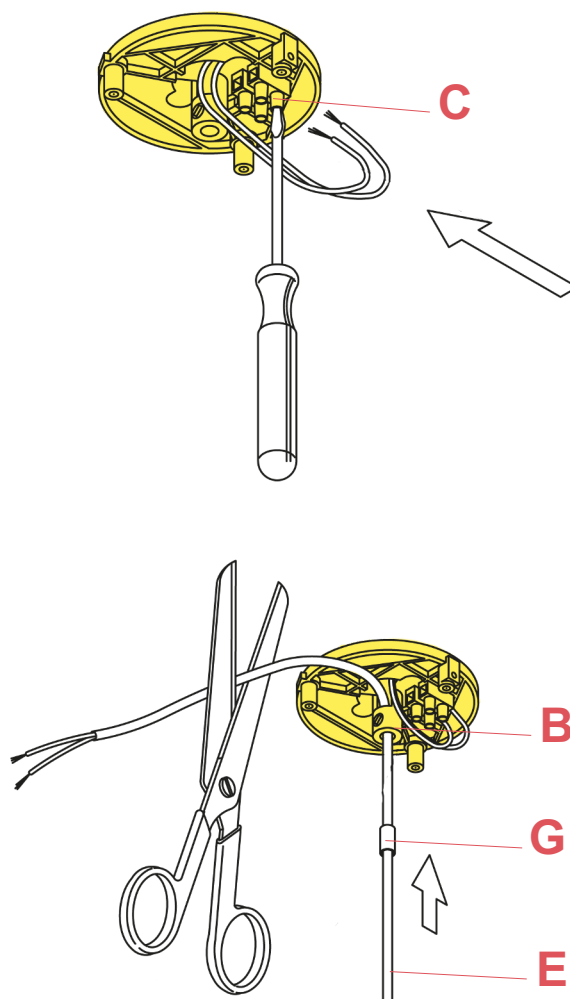


Fig.2

Connect the main power supply wires to the terminal block (C). Put the protection sheath (G) that has been supplied with the device through the power cable (E); thread the power cable (E) through the specific wall fitting opening (B), adjust (if necessary) the device height, lock the cable through the cable tighter present near the opening (B) and then cut off the excess cable.

WARNING! When installing and whenever acting on the appliance, ensure that the power supply has been switched off. For the installation of the spare-part, it is necessary to consult a qualified electrician.

WAN S F9560030

EN

RF9560130

BLACK ROSE ASSEMBLY

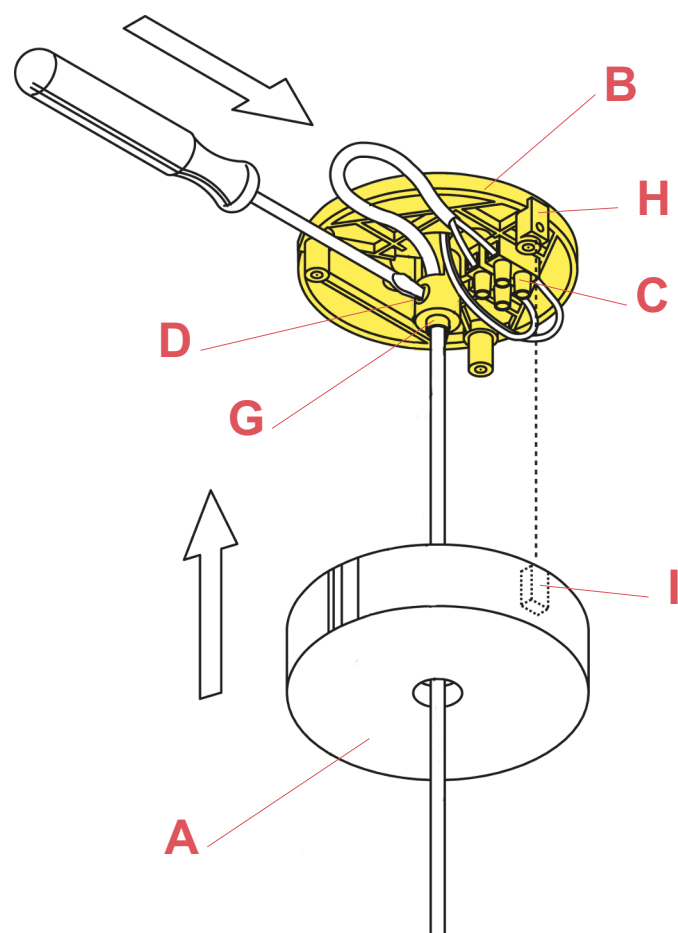


Fig.3

Position the protection sheath (G) at the height of the screw (D), then lock the power cable by tightening the screw (D). Connect the electrical cable wires to the terminal block (C). Assemble the ceiling rose cover (A) onto the wall mounting (B) ensuring that the small moulded column (H) corresponds with the opening (I) of the ceiling rose cover.

WARNING! When installing and whenever acting on the appliance, ensure that the power supply has been switched off. For the installation of the spare-part, it is necessary to consult a qualified electrician.

WAN S F9560030

EN

RF9560200

G9 LAMP HOLDER WITH INNER RING AND 2,5MT OF ELETRICAL CABLE



WARNING! When installing and whenever acting on the appliance, ensure that the power supply has been switched off.
For the installation of the spare-part, it is necessary to consult a qualified electrician.

WAN S F9560030

EN

RF9560200

G9 LAMP HOLDER WITH INNER RING AND 2,5MT OF ELECTRICAL CABLE

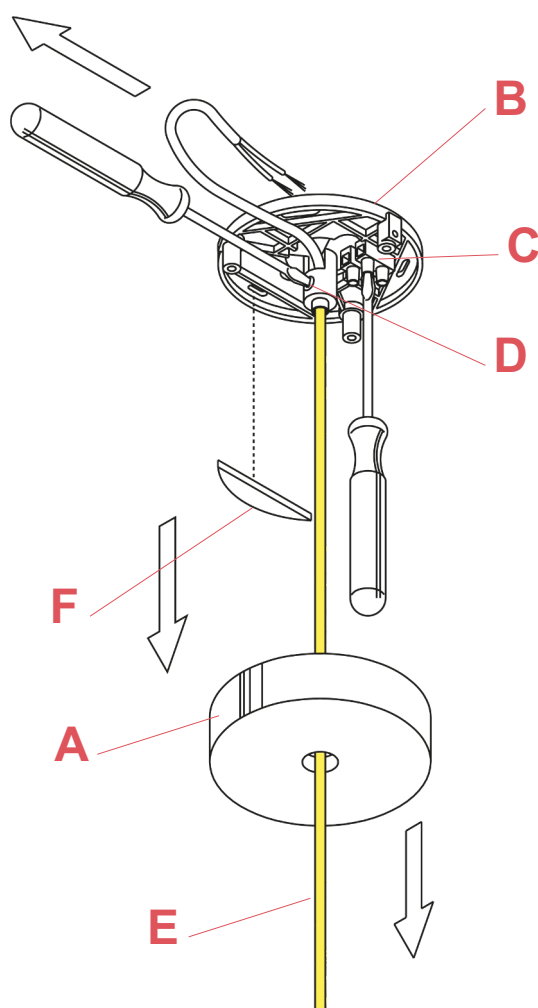


Fig.1

Unhook the ceiling rose (A) from the ceiling attachment (B), disconnect the power supply wires from the terminal box (C).

Unfasten the screw (D) and remove the electrical cable (E) from the ceiling attachment.

WARNING! When installing and whenever acting on the appliance, ensure that the power supply has been switched off. For the installation of the spare-part, it is necessary to consult a qualified electrician.

WAN S F9560030

EN

RF9560200

G9 LAMP HOLDER WITH INNER RING AND 2,5MT OF ELECTRICAL CABLE

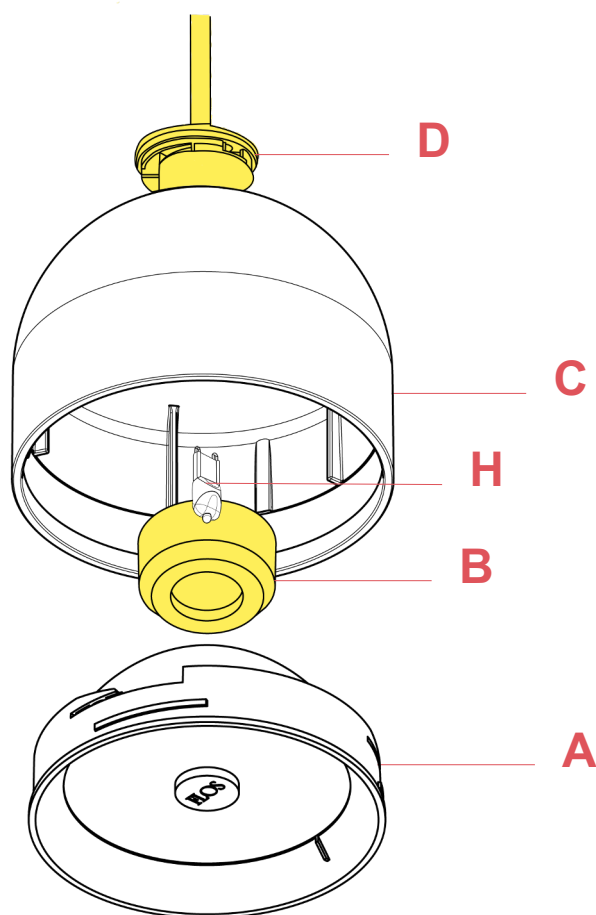


Fig.2

Remove the reflector/diffuser (A), unhooking it from the body (C) by slight rotating it anticlockwise.

Remove the lamp bulb (H).

Separate the body and the electrical cable assembly (D) by unfastening the inner ring (B).

WARNING! When installing and whenever acting on the appliance, ensure that the power supply has been switched off.
For the installation of the spare-part, it is necessary to consult a qualified electrician.

WAN S F9560030

EN

RF9560200

G9 LAMP HOLDER WITH INNER RING AND 2,5mt OF ELECTRICAL CABLE

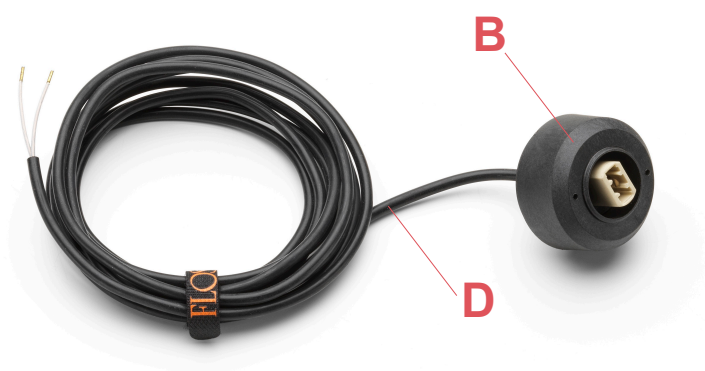


Fig.3



Fig.4

Assemble now the new spare-part:

Unfasten the inner ring (B) present on the new electrical assembly (D).

Collocate the electrical assembly (D) on top of the lamp body (C) and then lock the electrical assembly (D) by tightening the inner ring (B).

Install the lamp bulb (H)

Assemble the reflector/diffuser (A). Hook it on the lamp body (C) by rotating it clockwise.

Install the lamp-bulb (H). (Fig.2 page 9)

WARNING! When installing and whenever acting on the appliance, ensure that the power supply has been switched off. For the installation of the spare-part, it is necessary to consult a qualified electrician.

WAN S F9560030

EN

RF9560200

G9 LAMP HOLDER WITH INNER RING AND 2,5MT OF ELECTRICAL CABLE

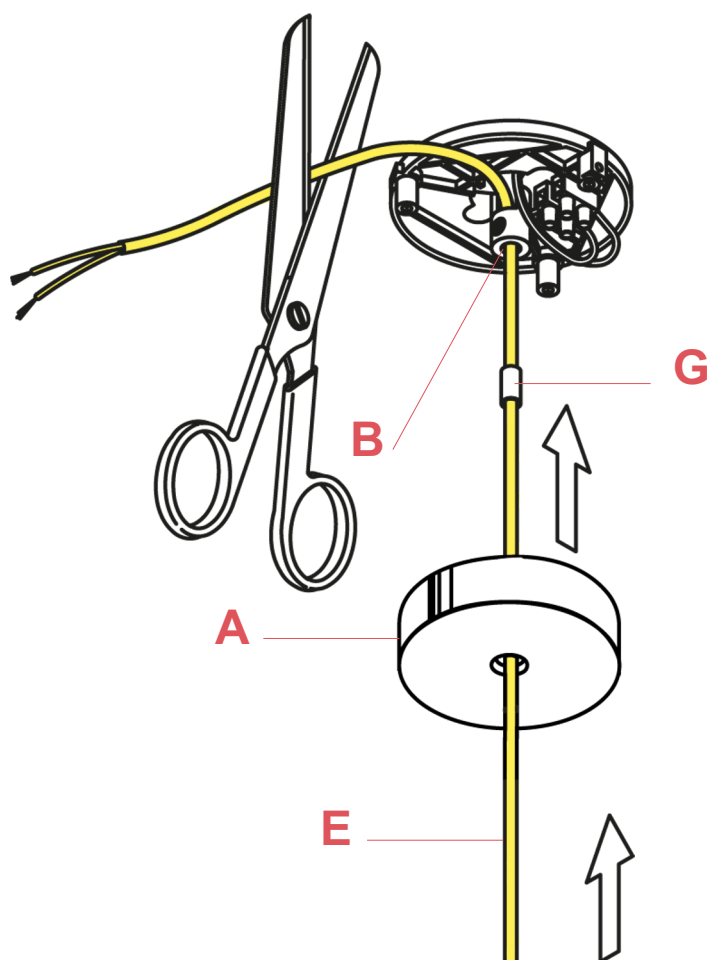


Fig.5

Insert the electrical cable (E) through the hole of ceiling rose (A) and then collocate the protection sheath (G).
Insert the cable through the cable clamp (G).
Adjust the device until reaching the required height and cut any excess part of the cable.

WARNING! When installing and whenever acting on the appliance, ensure that the power supply has been switched off.
For the installation of the spare-part, it is necessary to consult a qualified electrician.

©2021 Flos - All rights reserved - www.flos.com
Flos reserves the right to introduce any changes to its own models, without prior notice.

WAN S F9560030

EN

RF9560200

G9 LAMP HOLDER WITH INNER RING AND 2,5MT OF ELECTRICAL CABLE

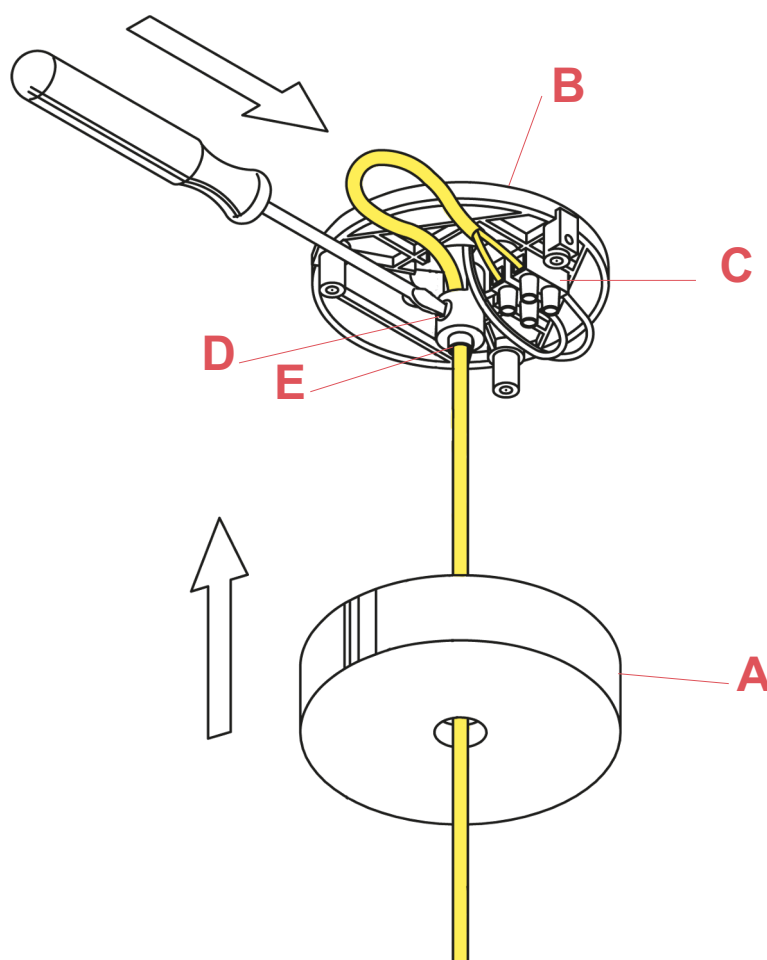


Fig.6

Position the protection sheath (G) at the height of the screw (D), then lock the electrical cable by tightening the screw (D).
Connect the electrical wires to the terminal box (C).
Reassemble the ceiling rose (A) onto the ceiling attachment (B).

WARNING! When installing and whenever acting on the appliance, ensure that the power supply has been switched off.
For the installation of the spare-part, it is necessary to consult a qualified electrician.

WAN S F9560030

EN

RF9550200

WAN GLASS ASSEMBLY



Wan C/W
p.09



Wan S
p.13

WARNING! When installing and whenever acting on the appliance, ensure that the power supply has been switched off.
For the installation of the spare-part, it is necessary to consult a qualified electrician.

WAN S F9560030

EN

RF9550200

WAN GLASS ASSEMBLY

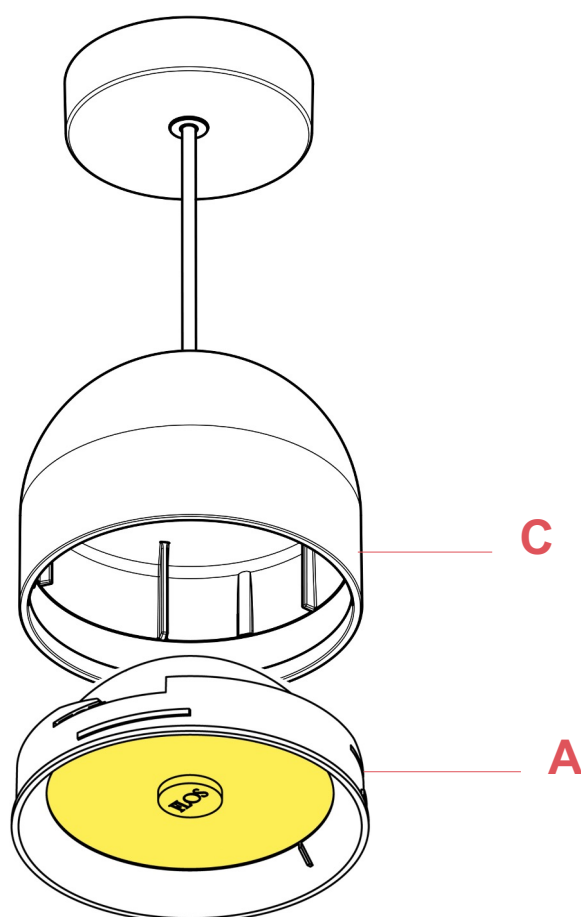


Fig.1

Remove the reflector/diffuser (A), unhooking it from the body (C) by slight rotating it anticlockwise.

WARNING! When installing and whenever acting on the appliance, ensure that the power supply has been switched off. For the installation of the spare-part, it is necessary to consult a qualified electrician.

WAN S F9560030

EN

RF9550200

WAN GLASS ASSEMBLY



Fig.2



Fig.3

Remove the Reflector (B) from the damaged external ring (D).
Unlock the reflector (B) out from the safety locks (E).

WARNING! When installing and whenever acting on the appliance, ensure that the power supply has been switched off.
For the installation of the spare-part, it is necessary to consult a qualified electrician.

©2021 Flos - All rights reserved - www.flos.com
Flos reserves the right to introduce any changes to its own models, without prior notice.

WAN S F9560030

EN

RF9550200

WAN GLASS ASSEMBLY



Fig.4



Fig.5

Remove the damaged glass diffuser (F) from the external ring (D).

Assemble now the new spare-part:

Position the glass diffuser (F) on top of the external ring (D).

WARNING! When installing and whenever acting on the appliance, ensure that the power supply has been switched off. For the installation of the spare-part, it is necessary to consult a qualified electrician.

WAN S F9560030

EN

RF9550200

WAN GLASS ASSEMBLY

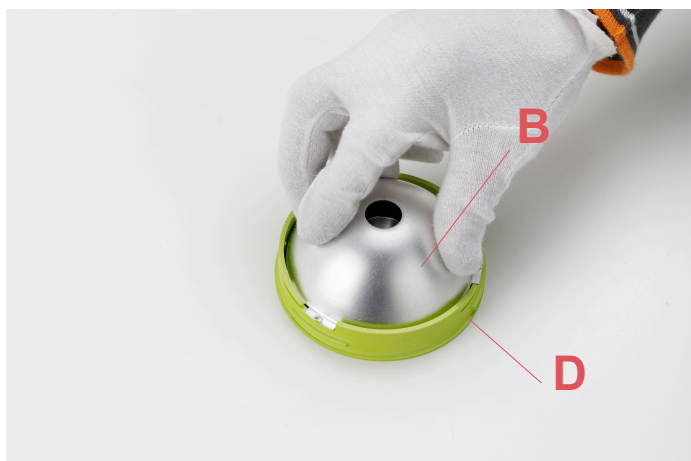


Fig.6



Fig.7

Position the reflector (B) on top of the external ring (D).
Lock the reflector (B) inside the safety lock system (E).

Assemble the reflector/diffuser assembly (A), by hooking it on the lamp body (C) rotating it clockwise. (Fig.1 page 14).

WARNING! When installing and whenever acting on the appliance, ensure that the power supply has been switched off.
For the installation of the spare-part, it is necessary to consult a qualified electrician.

WAN S F9560030

EN

RF13990

EXTERNAL RING



Wan C/W
p.14



Wan S
p.18

WARNING! When installing and whenever acting on the appliance, ensure that the power supply has been switched off.
For the installation of the spare-part, it is necessary to consult a qualified electrician.

WAN S F9560030

EN

RF13990

EXTERNAL RING

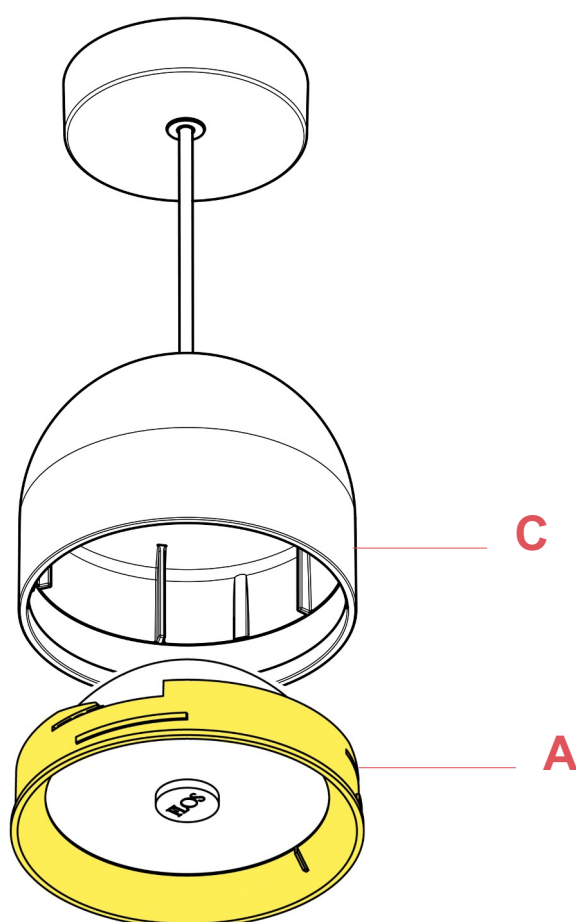


Fig.1

Remove the reflector/diffuser (A), unhooking it from the body (C) by slight rotating it anticlockwise.

WARNING! When installing and whenever acting on the appliance, ensure that the power supply has been switched off. For the installation of the spare-part, it is necessary to consult a qualified electrician.

WAN S F9560030

EN

RF13990

EXTERNAL RING



Fig.2



Fig.3

Remove the Reflector (B) from the damaged external ring (D).
Unlock the reflector (B) out from the safety locks (E).

WARNING! When installing and whenever acting on the appliance, ensure that the power supply has been switched off.
For the installation of the spare-part, it is necessary to consult a qualified electrician.

©2021 Flos - All rights reserved - www.flos.com
Flos reserves the right to introduce any changes to its own models, without prior notice.

WAN S F9560030

EN

RF13990

EXTERNAL RING

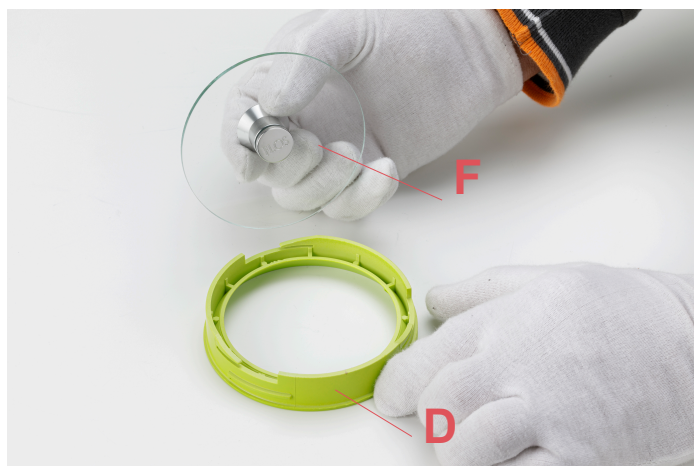


Fig.4



Fig.5

Remove the glass diffuser (F) from the damaged external ring (D).

Assemble now the new spare-part:

Position the glass diffuser (F) on top of the external ring (D).

WARNING! When installing and whenever acting on the appliance, ensure that the power supply has been switched off. For the installation of the spare-part, it is necessary to consult a qualified electrician.

WAN S F9560030

EN

RF13990

EXTERNAL RING



Fig.6



Fig.7

Position the reflector (B) on top of the external ring (D).

Lock the reflector (B) inside the safety lock system (E).

Assemble the reflector/diffuser assembly (A), by hooking it on the lamp body (C) rotating it clockwise. (Fig.1 page 19).

WARNING! When installing and whenever acting on the appliance, ensure that the power supply has been switched off.
For the installation of the spare-part, it is necessary to consult a qualified electrician.

WAN S F9560030

EN

RF9550130

REFLECTOR / RING ASSEMBLY



Wan C/W
p.19



Wan S
p.23

WARNING! When installing and whenever acting on the appliance, ensure that the power supply has been switched off. For the installation of the spare-part, it is necessary to consult a qualified electrician.

WAN S F9560030

EN

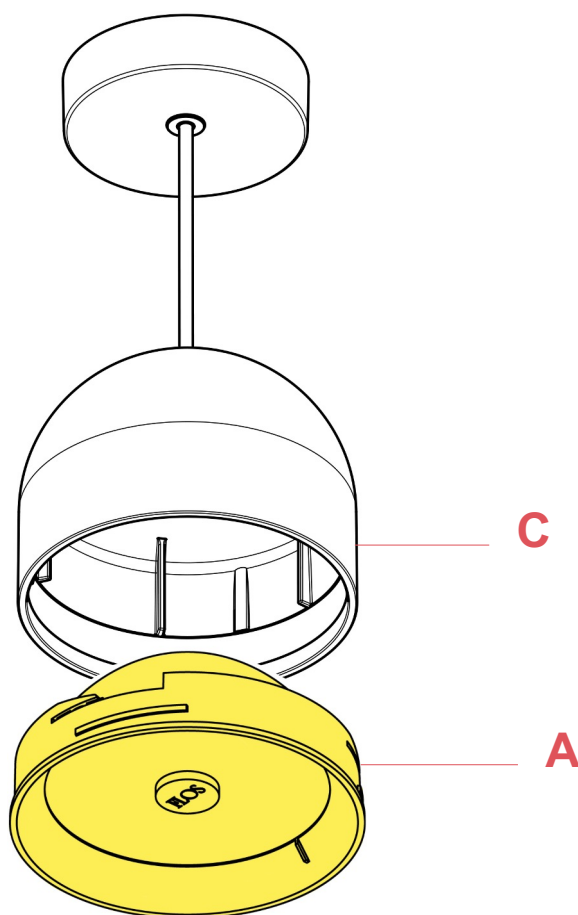
RF9550130
REFLECTOR / RING ASSEMBLY

Fig.1

Assemble the reflector/diffuser assembly (A), by hooking it on the lamp body (C) rotating it clockwise.

WARNING! When installing and whenever acting on the appliance, ensure that the power supply has been switched off. For the installation of the spare-part, it is necessary to consult a qualified electrician.