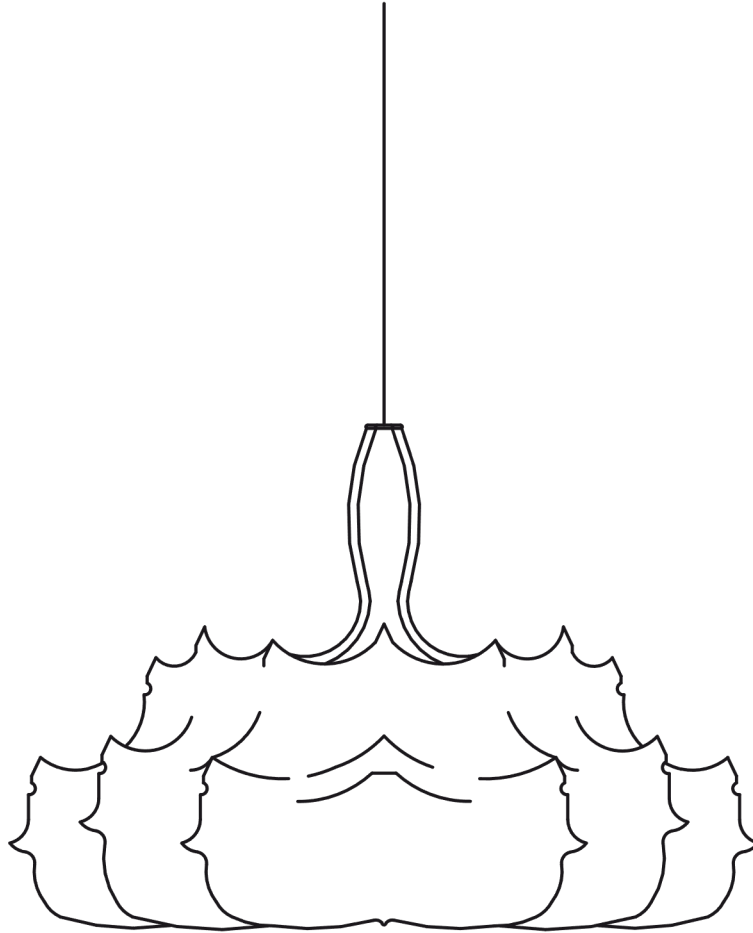


ZEPPELIN 1

Designed by Marcel Wanders, 2005

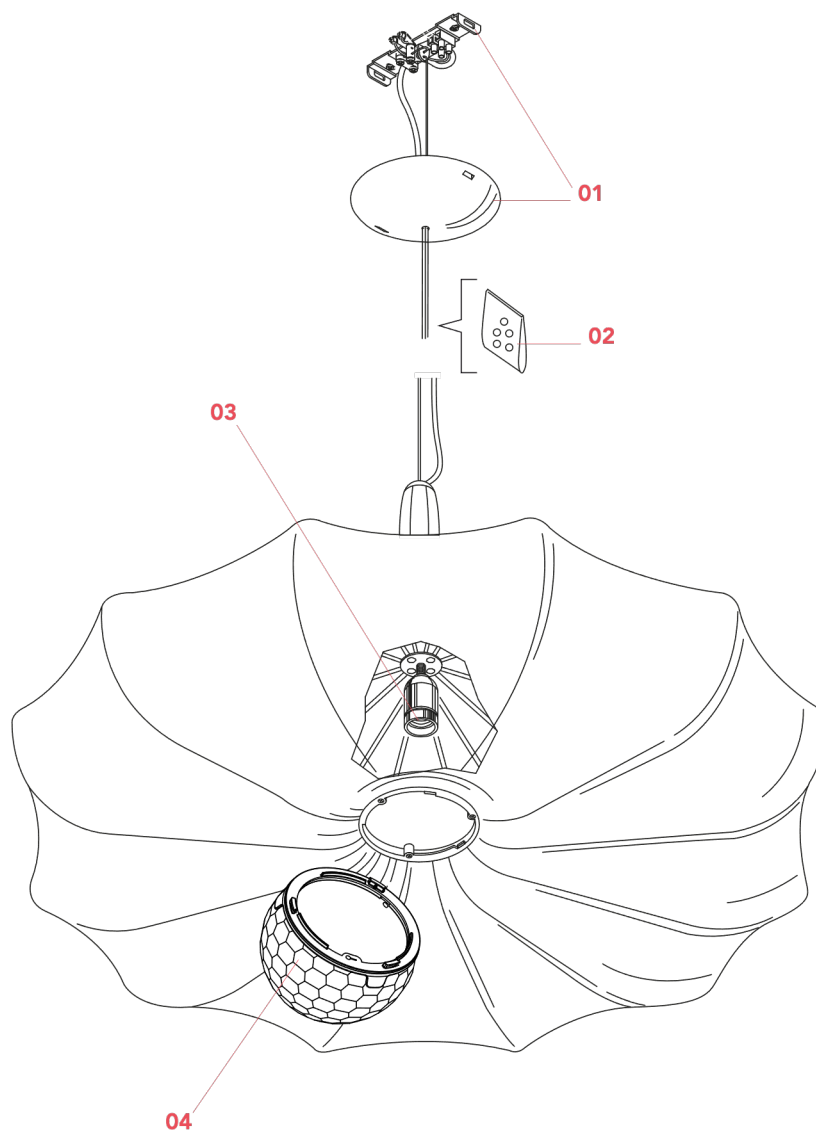
F9800009



ZEPELIN 1

F9800009

EN



- 01. RA3690209 – Complete rose assembly
- 02. RF05382 – Kit of quantity 5 OR rings
- 03. RF9800400 – E27 lamp holder assembly
- 04. RF9800300 – Crystal sphere diffuser assembly

ZEPPELIN 1 F9800009

EN

RA3690209 COMPLETE ROSE ASSEMBLY



Chasen
p.03



Glo-ball
S1
p.03



Glo-ball
S2
p.03



Skygarden
1
p.03



Skygarden
Small
p.03



Smithfield S
p.03



Smithfield
S Pro
p.03



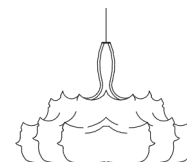
Taraxacum
S1 Cocoon
p.03



Taraxacum
S2 Cocoon
p.03



Viscontea
p.03



Zeppelin 1
p.03

WARNING! When installing and whenever acting on the appliance, ensure that the power supply has been switched off. For the installation of the spare-part, it is necessary to consult a qualified electrician.

ZEPPELIN 1 F9800009

EN

RA3690209

COMPLETE ROSE ASSEMBLY

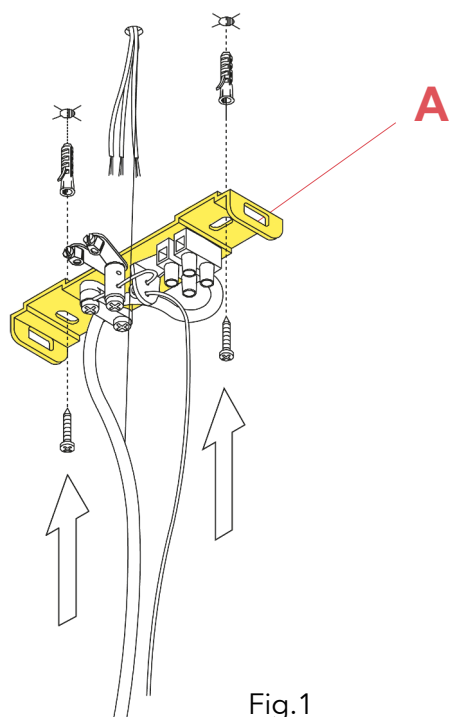


Fig.1

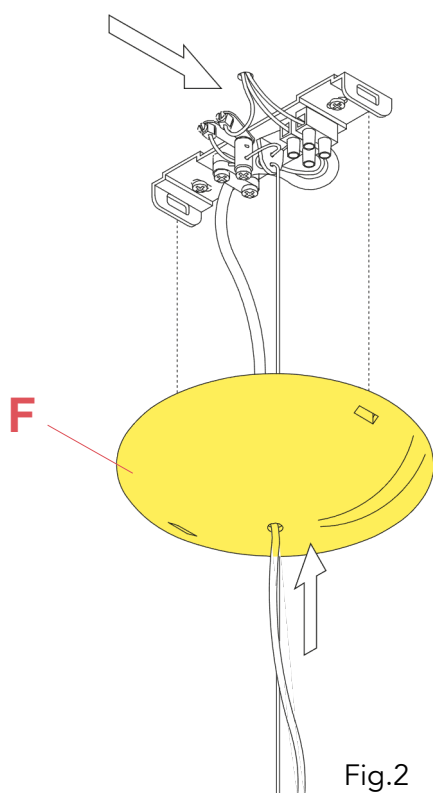


Fig.2

Fix the wall fixture (A) with the appropriate expansion bolts. **NOTE:** Select and employ screw anchors which are suited to the surface where the appliance is to be installed.

Connect the power cable to the terminal box (not supplied with the spare-part). Mount the ceiling-rose (F).

WARNING! When installing and whenever acting on the appliance, ensure that the power supply has been switched off. For the installation of the spare-part, it is necessary to consult a qualified electrician.

ZEPPELIN 1 F9800009

EN

RF05382

KIT OF QUANTITY 5 OR RINGS



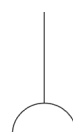
Glo-ball
S1
p.18



Glo-ball
S2
p.17



Skygarden
1
p.08



Skygarden
2
p.08



Skygarden
Small
p.08



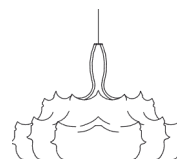
Smithfield
S
p.05



Smithfield
S Pro
p.05



Tatou
S2
p.11



Zeppelin 1
p.05

WARNING! When installing and whenever acting on the appliance, ensure that the power supply has been switched off. For the installation of the spare-part, it is necessary to consult a qualified electrician.

ZEPPELIN 1 F9800009

EN

RF9800400

E27 LAMP HOLDER ASSEMBLY



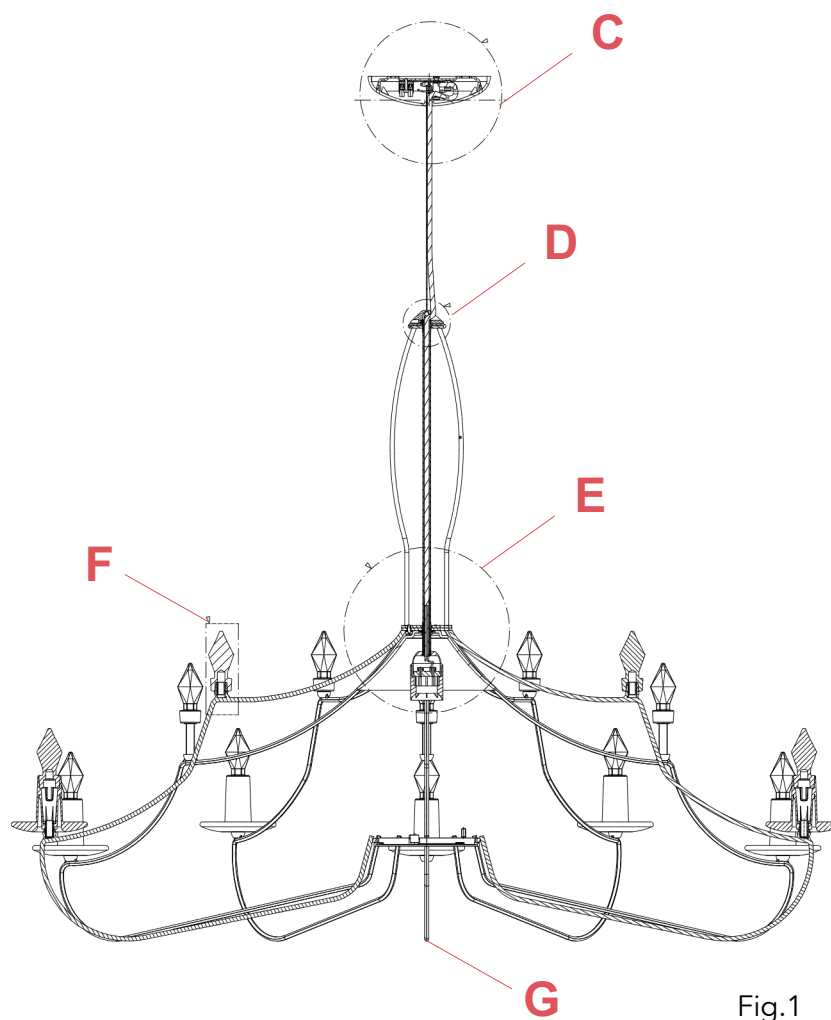
WARNING! When installing and whenever acting on the appliance, ensure that the power supply has been switched off.
For the installation of the spare-part, it is necessary to consult a qualified electrician.

ZEPELIN 1 F9800009

EN

RF9800400

E27 LAMP HOLDER ASSEMBLY



Delicately remove the crystal bowl from the lamp (refer to letter G in the image below). Afterwards remove the lamp from the ceiling and lay it down on a clean towel.

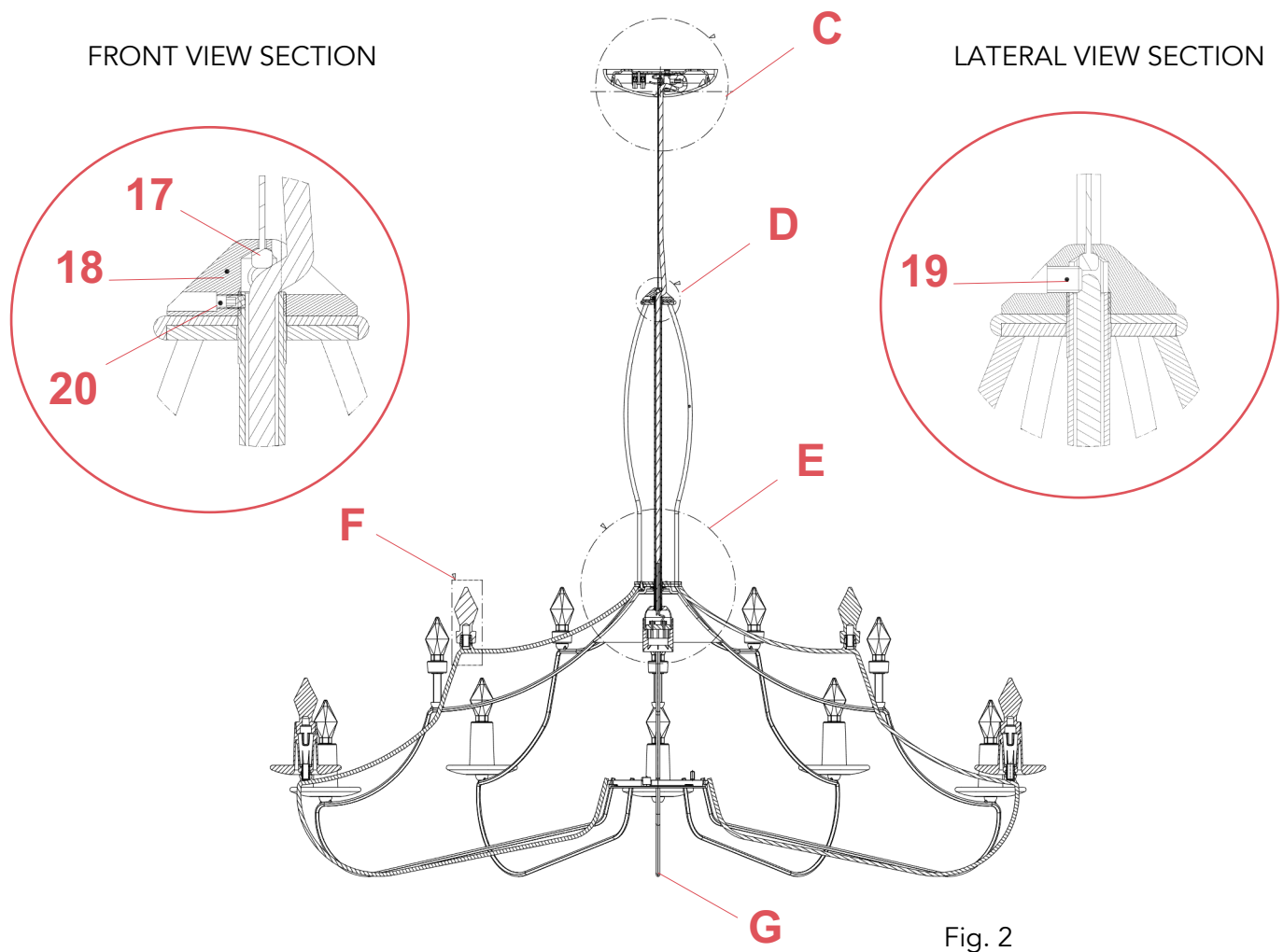
WARNING! When installing and whenever acting on the appliance, ensure that the power supply has been switched off. For the installation of the spare-part, it is necessary to consult a qualified electrician.

ZEPPELIN 1 F9800009

EN

RF9800400

E27 LAMP HOLDER ASSEMBLY



In the upper part of the lamp (refer to letter D in the image below), unscrew the two grub screws number 19 (M6 x 10 image in the green circle) and number 20 (M3 x 6 in the red circle).

WARNING! When installing and whenever acting on the appliance, ensure that the power supply has been switched off. For the installation of the spare-part, it is necessary to consult a qualified electrician.

ZEPPELIN 1 F9800009

EN

RF9800400

E27 LAMP HOLDER ASSEMBLY

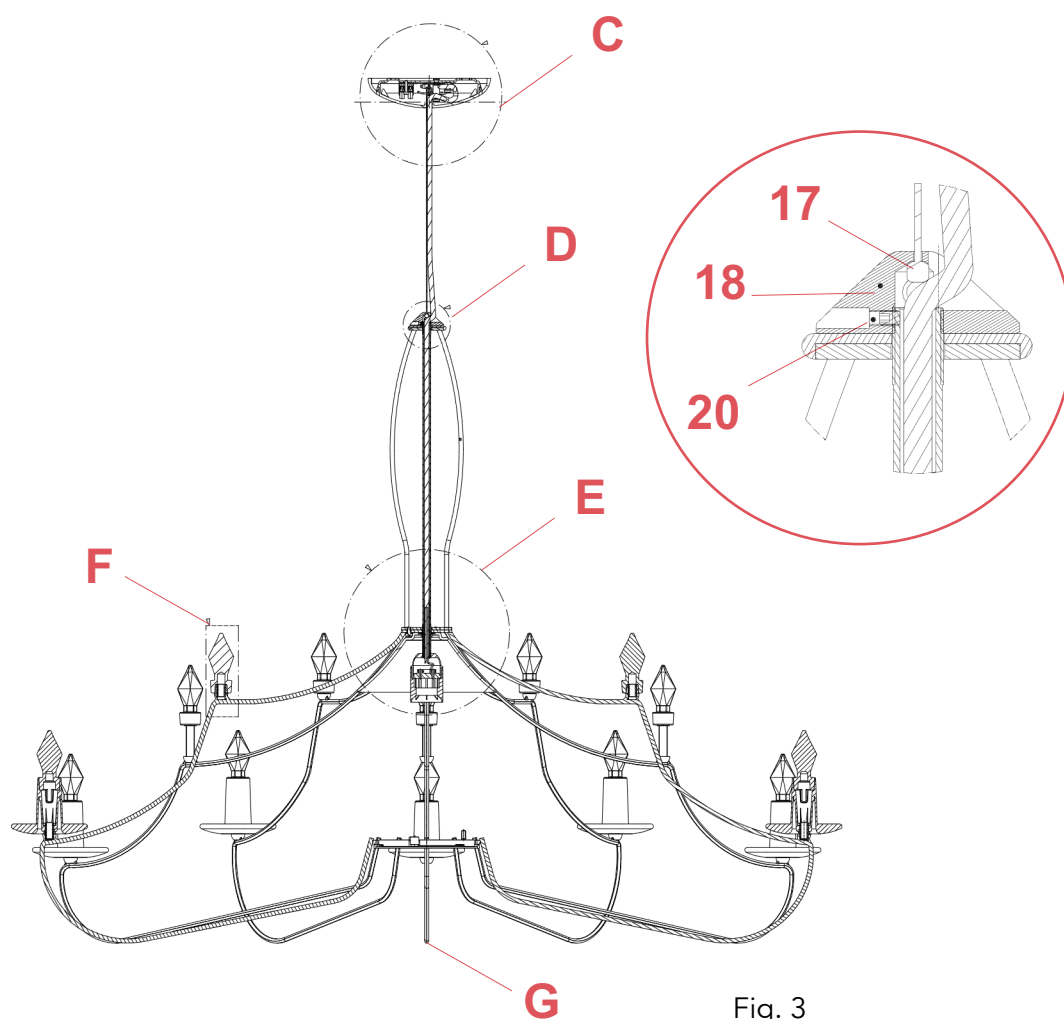


Fig. 3

Unscrew the white 10 x 1 terminal (refer to point 18) and slip off the stem with its lamp holder (refer to point number 17) from the lower part (refer to letter E in the image below).

WARNING! When installing and whenever acting on the appliance, ensure that the power supply has been switched off. For the installation of the spare-part, it is necessary to consult a qualified electrician.

ZEPPELIN 1 F9800009

EN

RF9800400

E27 LAMP HOLDER ASSEMBLY

N.B: CABLE SHEATH 3x0,75
TRANSP.
80mm ON LAMP HOLDER SIDE

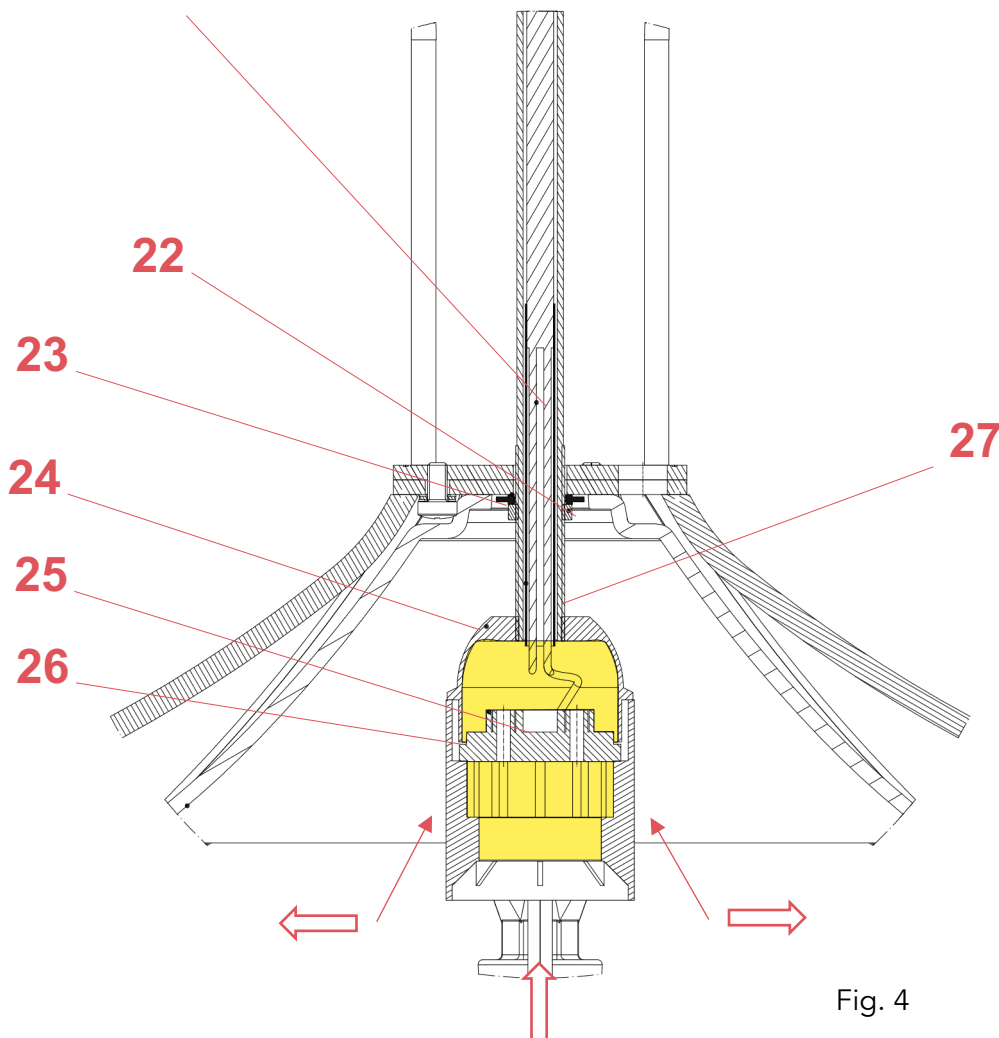


Fig. 4

Unhook the lamp holder by inserting between the lifting hooks of the lamp holder a fine screwdriver. Afterwards replace the lamp holder by connecting it electrically.

REMARKS!!! Please respect the polarities of the electrical wires.

Assemble the lamp holder by pressing it back on the lamp holder support.
Slip back on the stem in the body lamp.

In the upper part of the lamp (refer to letter D in the image Fig.2 page 8), fasten the two grub screws number 19 (M6 x 10 image in the green circle) and number 20 (M3 x 6 in the red circle).

Assemble the lamp back on the ceiling (refer to the installation sheet of the Zeppelin 1).

WARNING! When installing and whenever acting on the appliance, ensure that the power supply has been switched off. For the installation of the spare-part, it is necessary to consult a qualified electrician.

ZEPPELIN 1 F9800009

EN

RF9800300

CRYSTAL SPHERE DIFFUSER ASSEMBLY



WARNING! When installing and whenever acting on the appliance, ensure that the power supply has been switched off.
For the installation of the spare-part, it is necessary to consult a qualified electrician.

ZEPPELIN 1 F9800009

EN

RF9800300

CRYSTAL SPHERE DIFFUSER ASSEMBLY

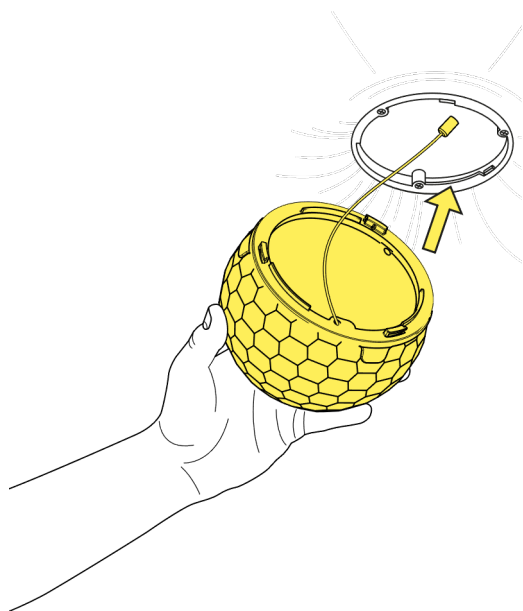


Fig. 1

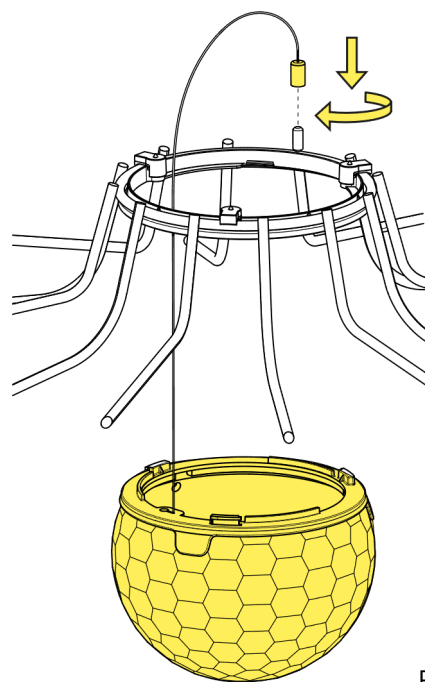


Fig. 2

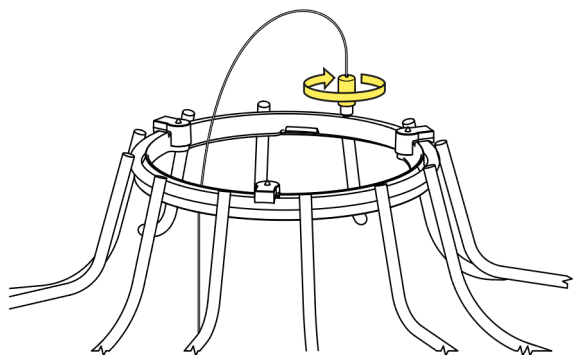


Fig. 3

Insert the gold pin (Fig. 1) into the pern (Fig. 2 & Fig.3) and screw it.

WARNING! When installing and whenever acting on the appliance, ensure that the power supply has been switched off. For the installation of the spare-part, it is necessary to consult a qualified electrician.

ZEPPELIN 1 F9800009

EN

RF9800300

CRYSTAL SPHERE DIFFUSER ASSEMBLY

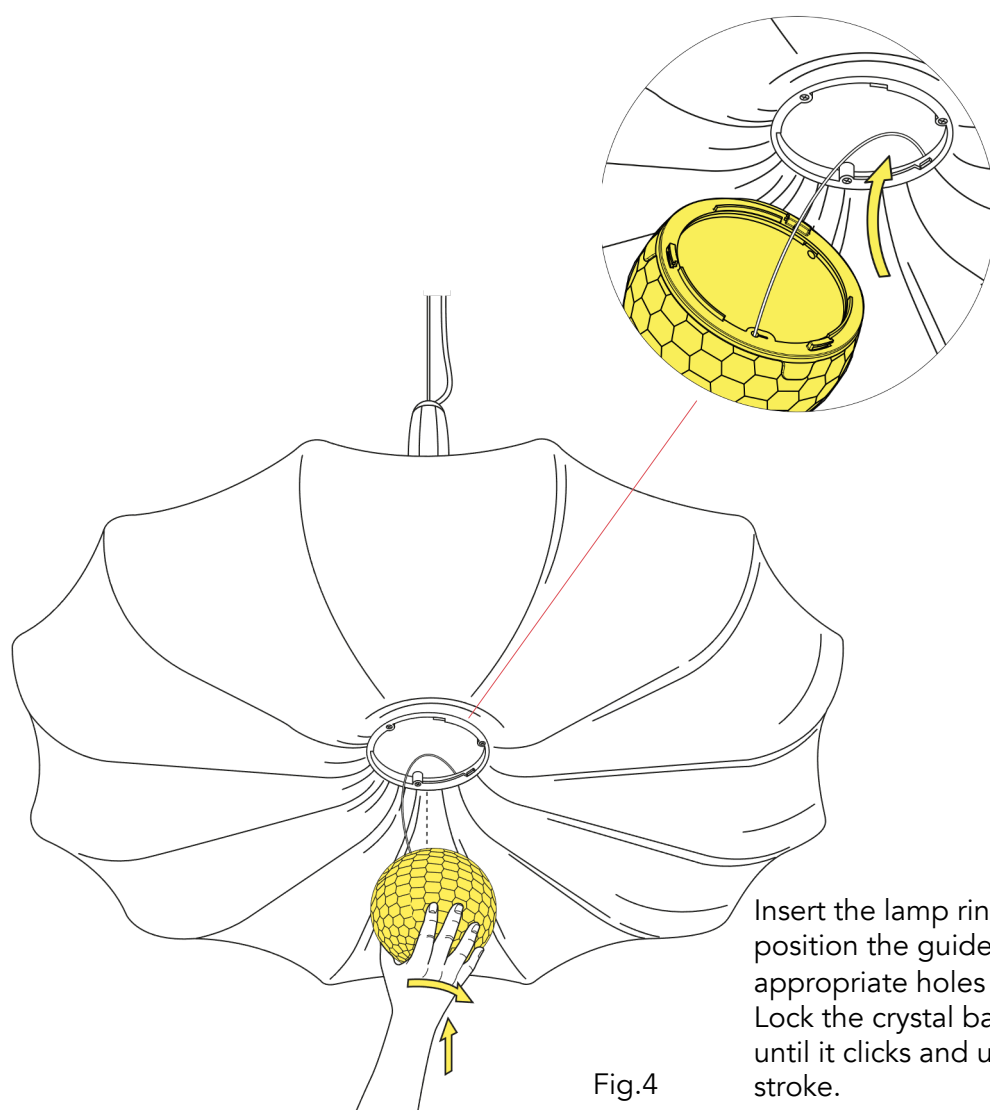


Fig.4

Insert the lamp ring support, ensuring to position the guides in correspondence to the appropriate holes of the lamp ring. Lock the crystal ball by turning it clockwise until it clicks and until you reach the end stroke.

WARNING! When installing and whenever acting on the appliance, ensure that the power supply has been switched off. For the installation of the spare-part, it is necessary to consult a qualified electrician.

©2021 Flos - All rights reserved - www.flos.com
Flos reserves the right to introduce any changes to its own models, without prior notice.