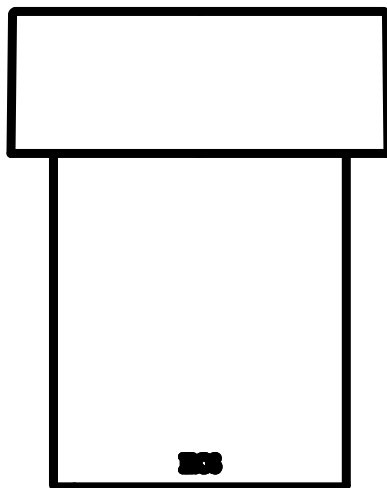


LAST ORDER CLEAR

Designed by Michael Anastassiades, 2020

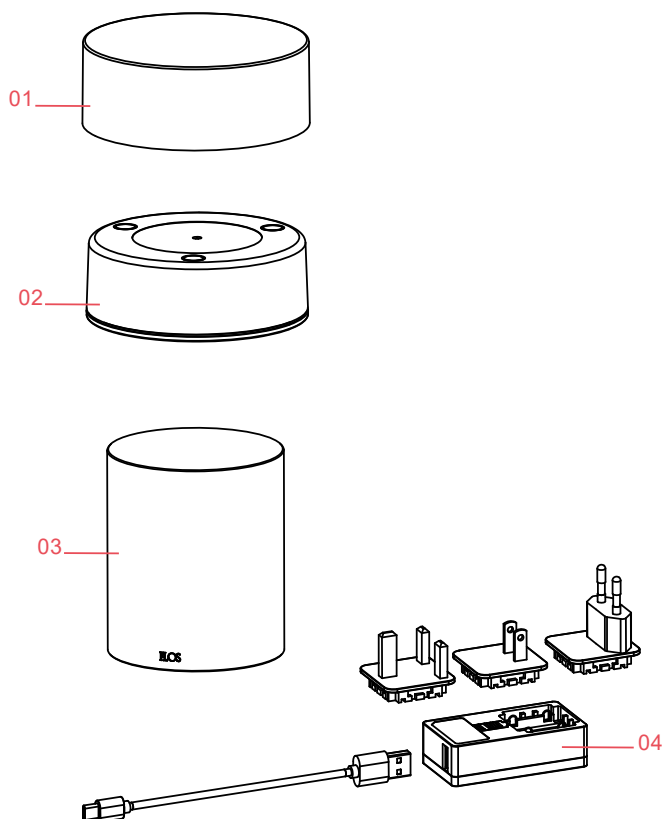
F3693059



LAST ORDER CLEAR

F3693059

EN



- 01. F3692059A** – Polished brass top-cover
- 02. RF29776** – Led body assembly
- 03. RF29124** – Crystal Clear base
- 04. RF1035109** – Power charger with electrical cable & plugs

LAST ORDER CLEAR F3693059

EN

F3692059A

POLISHED BRASS TOP COVER



Last Order
Clear
p.03



Last Order
Fluted
p.03

WARNING! When installing and whenever acting on the appliance, ensure that the power supply has been switched off.
For the installation of the spare-part, it is necessary to consult a qualified electrician.

LAST ORDER CLEAR F3693059

EN

F3692059A

POLISHED BRASS TOP COVER

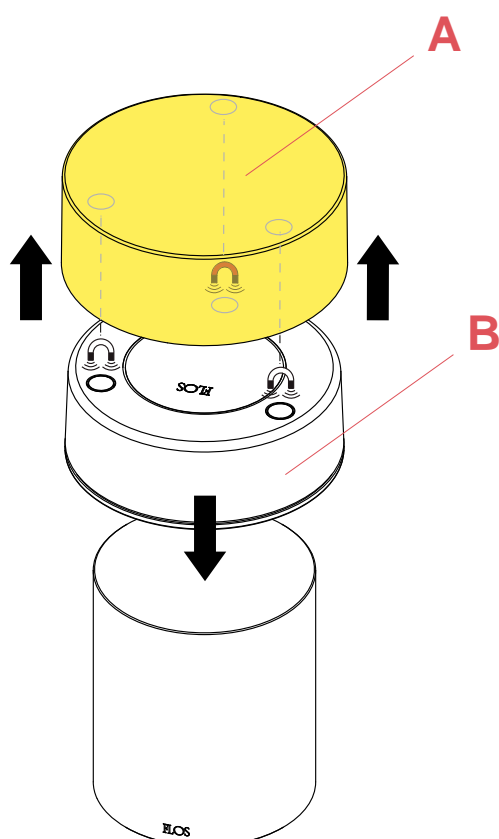


Fig.1

Remove the top-cover (A) from the led body (B).
Assemble now the new spare part.

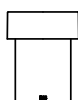
WARNING! When installing and whenever acting on the appliance, ensure that the power supply has been switched off.
For the installation of the spare-part, it is necessary to consult a qualified electrician.

LAST ORDER CLEAR F3693059

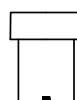
EN

RF29776

LED BODY ASSEMBLY



Last Order
Clear
p.05



Last Order
Fluted
p.05

WARNING! When installing and whenever acting on the appliance, ensure that the power supply has been switched off.
For the installation of the spare-part, it is necessary to consult a qualified electrician.

LAST ORDER CLEAR F3693059

EN

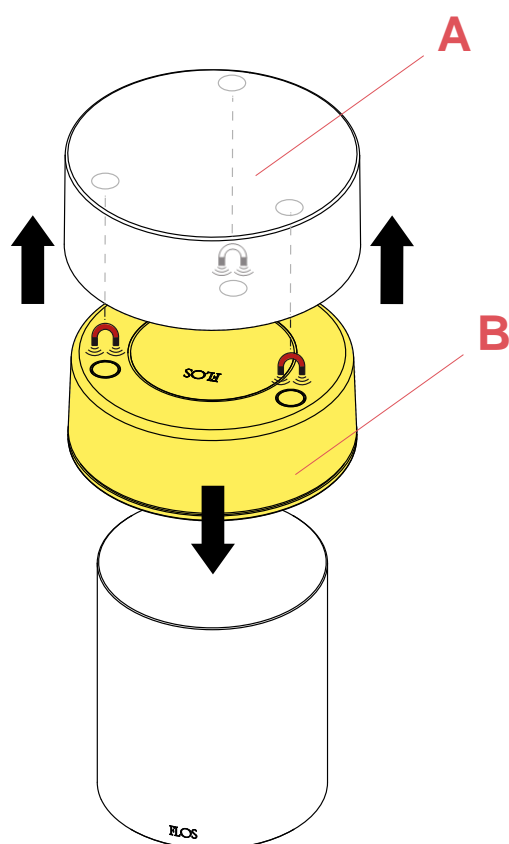
RF29776
LED BODY ASSEMBLY

Fig.1

Remove the top-cover (A) from the led body (B).
Assemble now the new spare part.

WARNING! When installing and whenever acting on the appliance, ensure that the power supply has been switched off.
For the installation of the spare-part, it is necessary to consult a qualified electrician.

LAST ORDER CLEAR F3693059

EN

RF29124

CRYSTAL CLEAR BASE



WARNING! When installing and whenever acting on the appliance, ensure that the power supply has been switched off.
For the installation of the spare-part, it is necessary to consult a qualified electrician.

LAST ORDER CLEAR F3693059

EN

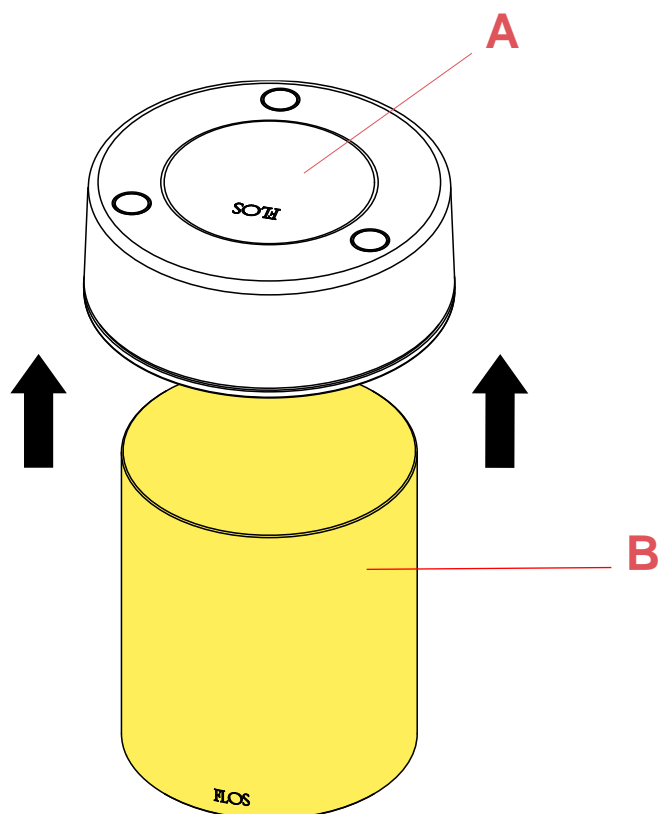
RF29124
CRYSTAL CLEAR BASE

Fig.1

Remove the crystal base (B) from the led body (A).
Assemble now the new spare part.

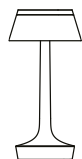
WARNING! When installing and whenever acting on the appliance, ensure that the power supply has been switched off.
For the installation of the spare-part, it is necessary to consult a qualified electrician.

LAST ORDER CLEAR F3693059

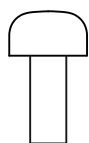
EN

RF1035109

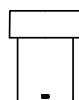
POWER CHARGER WITH ELECTRICAL CABLE & PLUGS



Bon Jour
Unplugged
p.10



Bellhop
Battery
p.03



Last Order
Clear
p.09



Last Order
Fluted
p.09

WARNING! When installing and whenever acting on the appliance, ensure that the power supply has been switched off. For the installation of the spare-part, it is necessary to consult a qualified electrician.

RF1035109

POWER CHARGER WITH ELECTRICAL CABLE & PLUGS

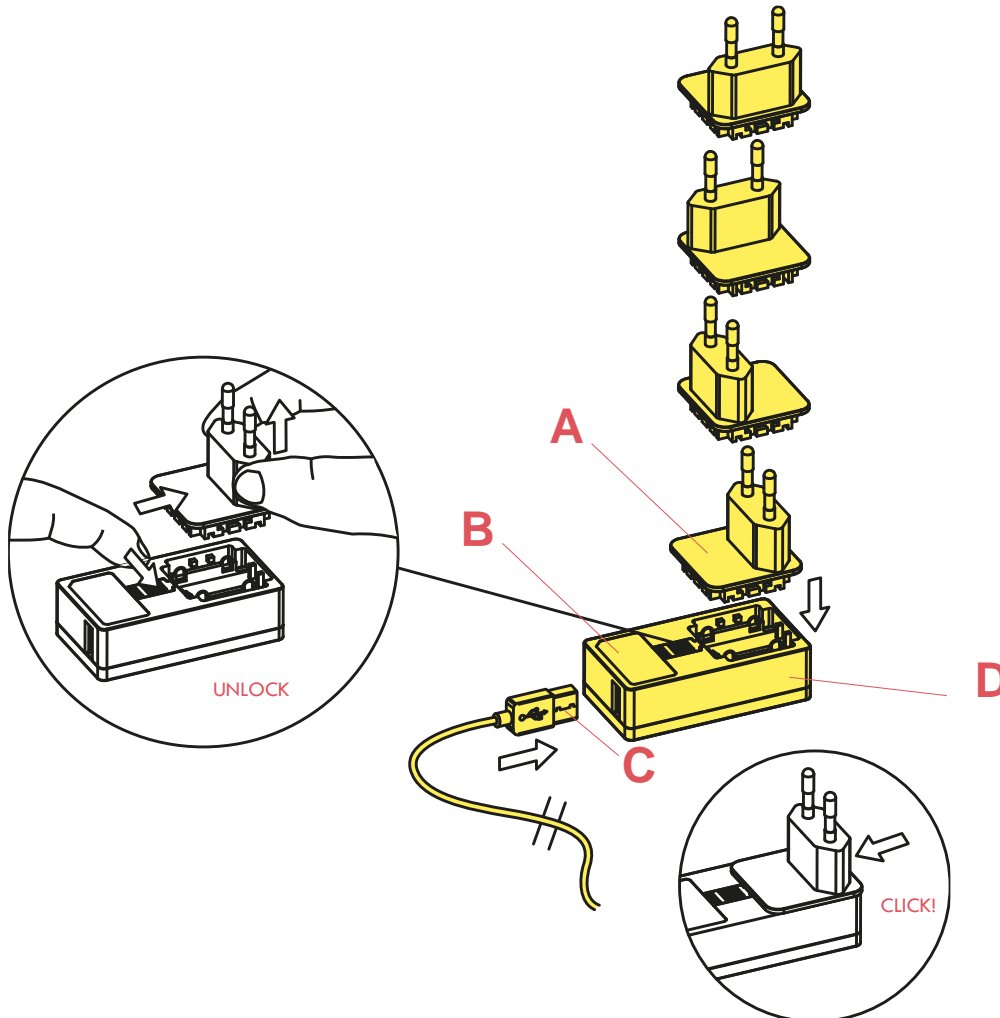


Fig.1

RECHARGING THE BATTERY. Insert the plug (G) in the power adaptor (H) in the preferred working position (the plug can be inserted in any side of the power adaptor block) until you hear the snap-in click (use the correct type of plug for the country the lamp is installed in); to remove the plug press the power adaptor's push button (I). Insert the USB plug (L) of the cable provided in its housing (M) on the power adaptor then insert the micro-USB plug (O) into the lamp's connector (P).

WARNING! When installing and whenever acting on the appliance, ensure that the power supply has been switched off. For the installation of the spare-part, it is necessary to consult a qualified electrician.