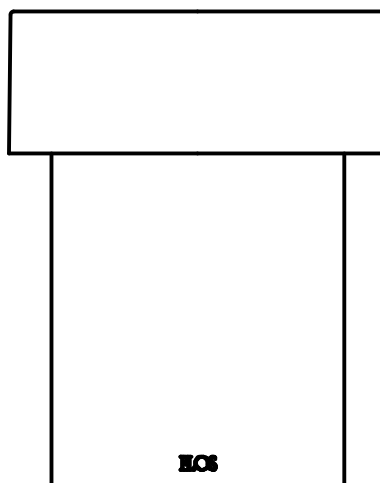


## LAST ORDER FLUTED

Designed by Michael Anastassiades, 2020

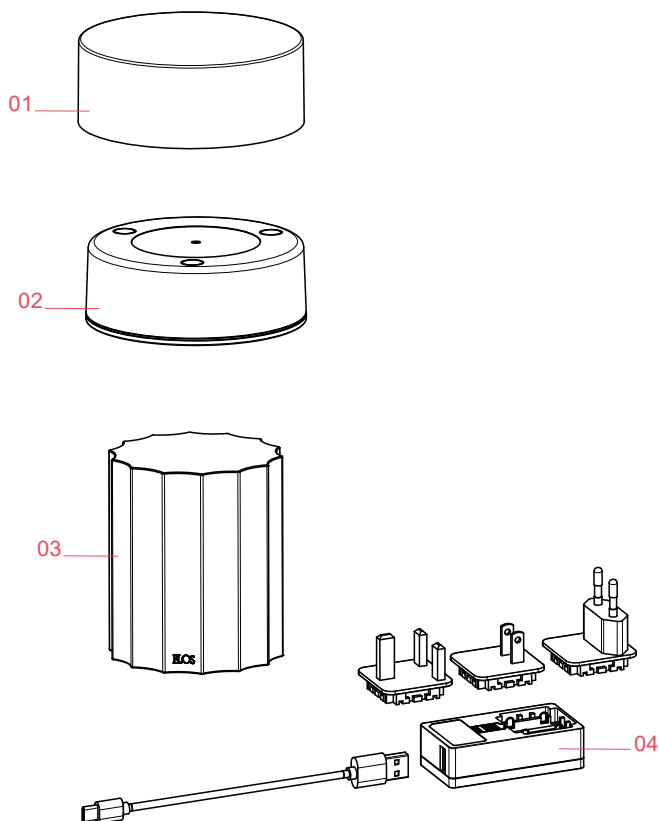
F3694015



## LAST ORDER FLUTED

F3694015

EN



**01. F3692015A** – Satin copper top-cover

**02. RF29776** – Led body assembly

**03. RF29125** – Crystal Fluted base

**04. RF1035109** – Power charger with electrical cable & plugs

LAST ORDER FLUTED F3694015

EN

## F3692015A

SATIN COPPER TOP COVER



Last Order  
Clear  
p.03



Last Order  
Fluted  
p.03

WARNING! When installing and whenever acting on the appliance, ensure that the power supply has been switched off.  
For the installation of the spare-part, it is necessary to consult a qualified electrician.

LAST ORDER FLUTED F3694015

EN

## F3692015A

SATIN COPPER TOP COVER

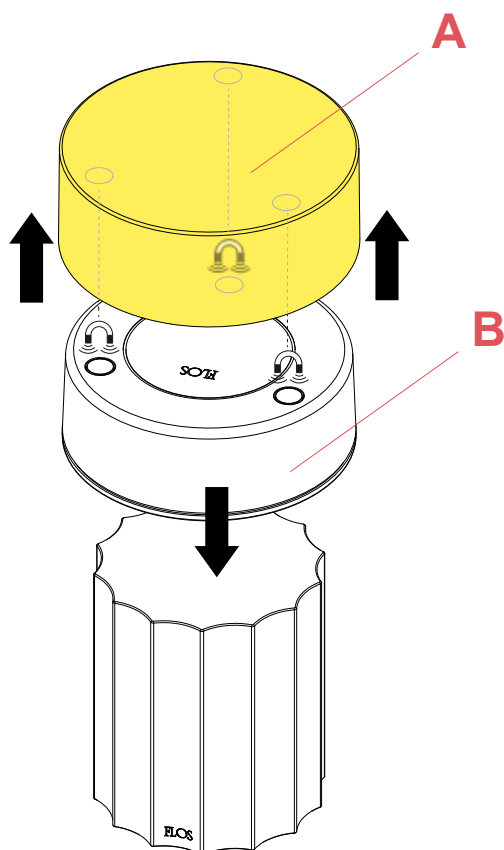


Fig.1

Remove the top-cover (A) from the led body (B).  
Assemble now the new spare part.

WARNING! When installing and whenever acting on the appliance, ensure that the power supply has been switched off.  
For the installation of the spare-part, it is necessary to consult a qualified electrician.

LAST ORDER FLUTED F3694015

EN

## RF29776

LED BODY ASSEMBLY



Last Order  
Clear  
p.05



Last Order  
Fluted  
p.05

**WARNING!** When installing and whenever acting on the appliance, ensure that the power supply has been switched off.  
For the installation of the spare-part, it is necessary to consult a qualified electrician.

LAST ORDER FLUTED F3694015

EN

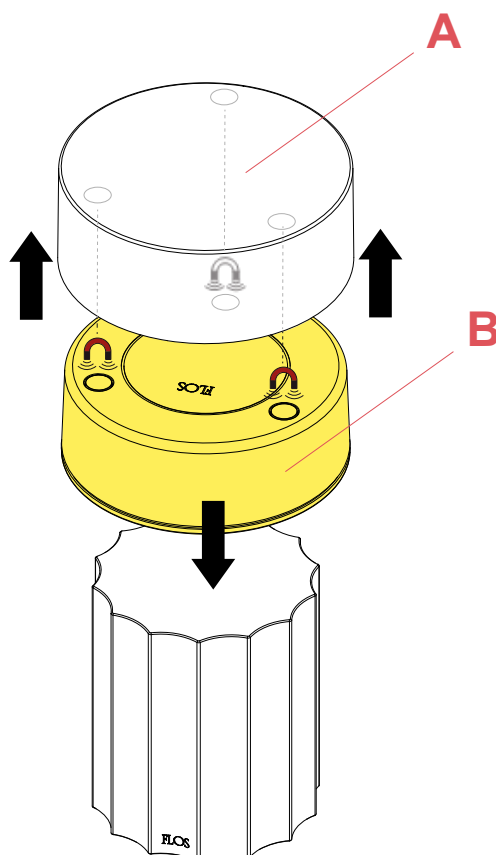
**RF29776**  
LED BODY ASSEMBLY

Fig.1

Remove the top-cover (A) from the led body (B).  
Assemble now the new spare part.

WARNING! When installing and whenever acting on the appliance, ensure that the power supply has been switched off.  
For the installation of the spare-part, it is necessary to consult a qualified electrician.

LAST ORDER FLUTED F3694015

EN

## RF29125

CRYSTAL FLUTED BASE



WARNING! When installing and whenever acting on the appliance, ensure that the power supply has been switched off.  
For the installation of the spare-part, it is necessary to consult a qualified electrician.

©2021 Flos - All rights reserved - [www.flos.com](http://www.flos.com)  
Flos reserves the right to introduce any changes to its own models, without prior notice.

LAST ORDER FLUTED F3694015

EN

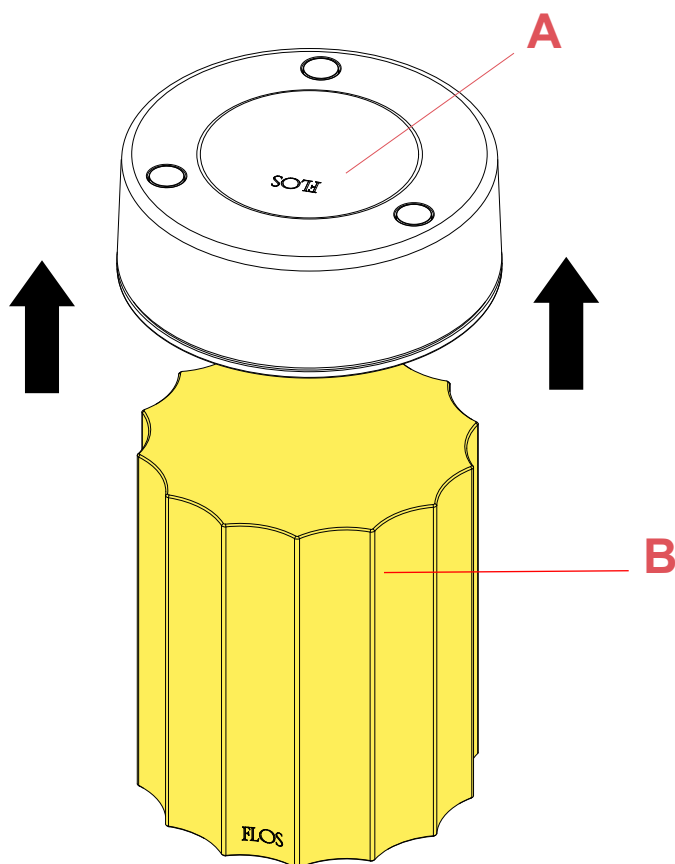
**RF29125**  
CRYSTAL FLUTED BASE

Fig.1

Remove the crystal base (B) from the led body (A).  
Assemble now the new spare part.

WARNING! When installing and whenever acting on the appliance, ensure that the power supply has been switched off.  
For the installation of the spare-part, it is necessary to consult a qualified electrician.

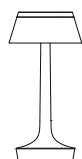


LAST ORDER FLUTED F3694015

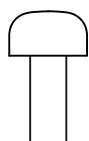
EN

## RF1035109

POWER CHARGER WITH ELECTRICAL CABLE & PLUGS



Bon Jour  
Unplugged  
p.10



Bellhop  
Battery  
p.03



Last Order  
Clear  
p.09



Last Order  
Fluted  
p.09

**WARNING!** When installing and whenever acting on the appliance, ensure that the power supply has been switched off. For the installation of the spare-part, it is necessary to consult a qualified electrician.

## RF1035109

POWER CHARGER WITH ELECTRICAL CABLE & PLUGS

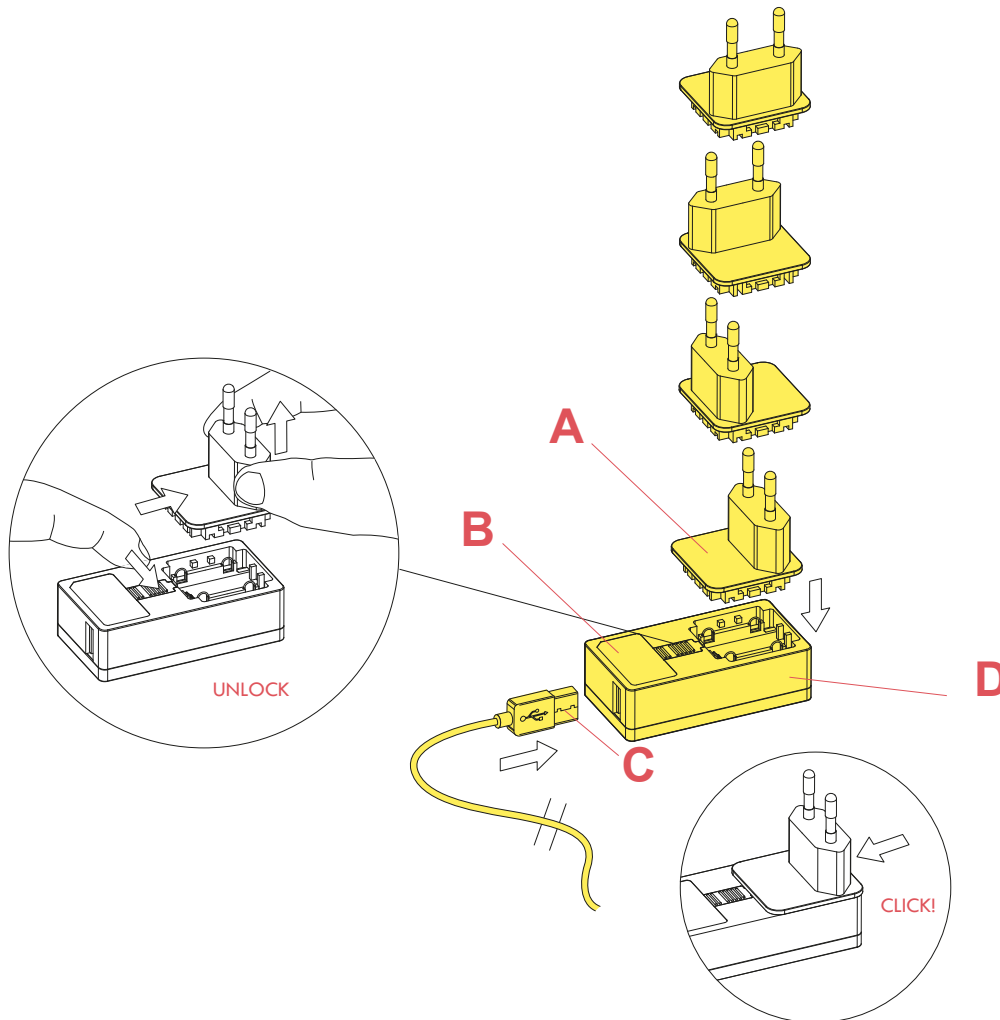


Fig.1

**RECHARGING THE BATTERY.** Insert the plug (G) in the power adaptor (H) in the preferred working position (the plug can be inserted in any side of the power adaptor block) until you hear the snap-in click (use the correct type of plug for the country the lamp is installed in); to remove the plug press the power adaptor's push button (I). Insert the USB plug (L) of the cable provided in its housing (M) on the power adaptor then insert the micro-USB plug (O) into the lamp's connector (P).

**WARNING!** When installing and whenever acting on the appliance, ensure that the power supply has been switched off. For the installation of the spare-part, it is necessary to consult a qualified electrician.