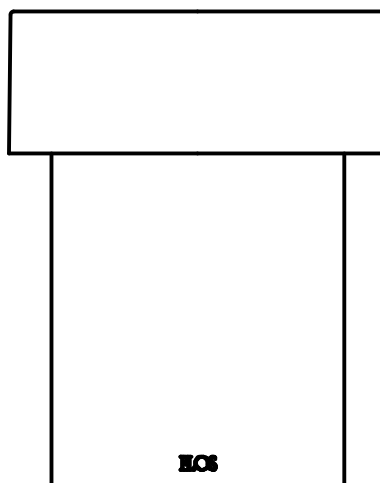


LAST ORDER FLUTED

Designed by Michael Anastassiades, 2020

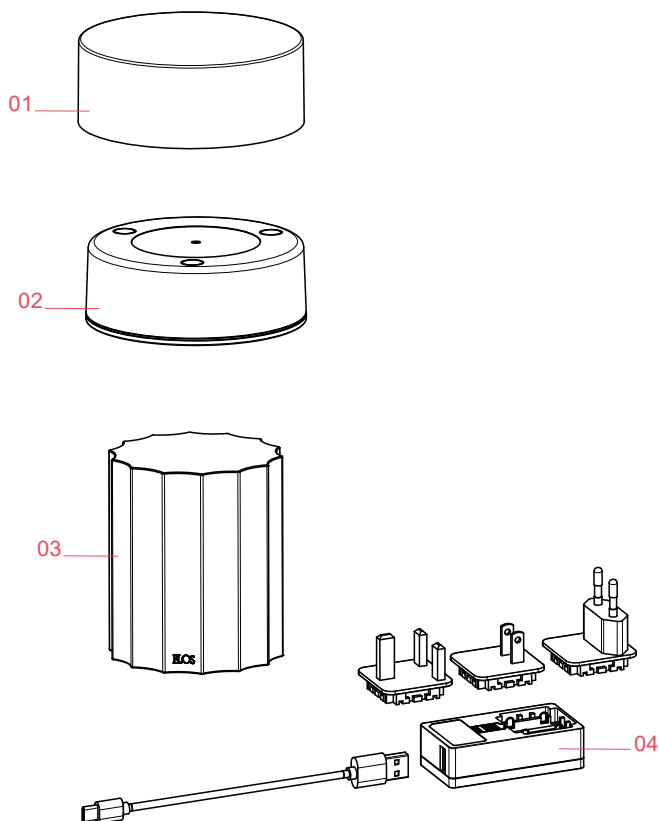
F3694059



LAST ORDER FLUTED

F3694059

EN



01. F3692059A – Polished brass top-cover

02. RF29776 – Led body assembly

03. RF29125 – Crystal Fluted base

04. RF1035109 – Power charger with electrical cable & plugs

LAST ORDER FLUTED F3694059

EN

F3692059A

POLISHED BRASS TOP COVER



Last Order
Clear
p.03



Last Order
Fluted
p.03

WARNING! When installing and whenever acting on the appliance, ensure that the power supply has been switched off.
For the installation of the spare-part, it is necessary to consult a qualified electrician.

LAST ORDER FLUTED F3694059

EN

F3692059A

POLISHED BRASS TOP COVER

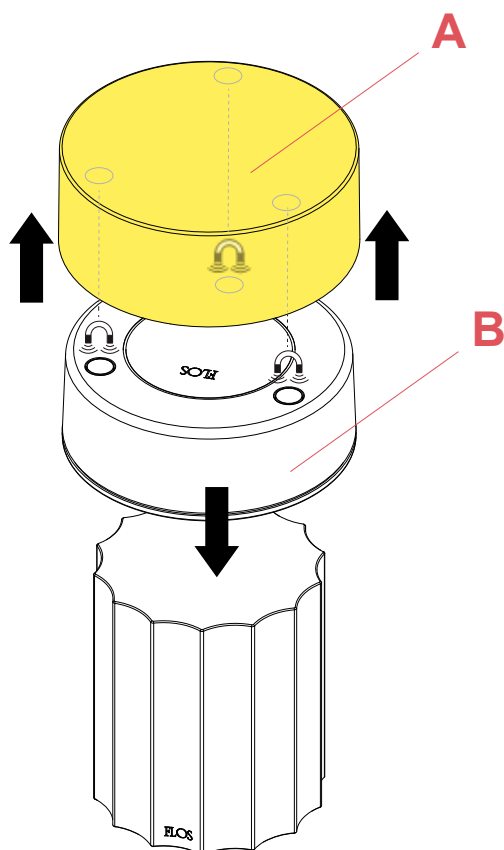


Fig.1

Remove the top-cover (A) from the led body (B).
Assemble now the new spare part.

WARNING! When installing and whenever acting on the appliance, ensure that the power supply has been switched off.
For the installation of the spare-part, it is necessary to consult a qualified electrician.

LAST ORDER FLUTED F3694059

EN

RF29776

LED BODY ASSEMBLY



Last Order
Clear
p.05



Last Order
Fluted
p.05

WARNING! When installing and whenever acting on the appliance, ensure that the power supply has been switched off.
For the installation of the spare-part, it is necessary to consult a qualified electrician.

RF29776

LED BODY ASSEMBLY

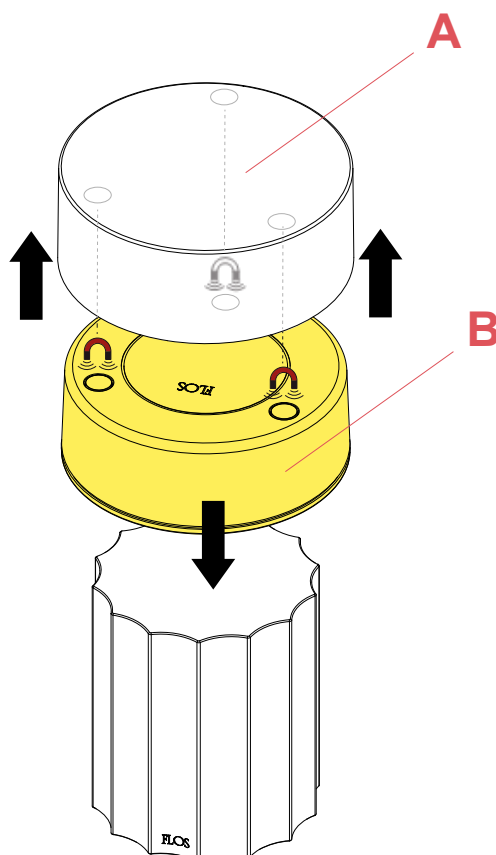


Fig.1

Remove the top-cover (A) from the led body (B).
Assemble now the new spare part.

WARNING! When installing and whenever acting on the appliance, ensure that the power supply has been switched off.
For the installation of the spare-part, it is necessary to consult a qualified electrician.

LAST ORDER FLUTED F3694059

EN

RF29125

CRYSTAL FLUTED BASE



WARNING! When installing and whenever acting on the appliance, ensure that the power supply has been switched off.
For the installation of the spare-part, it is necessary to consult a qualified electrician.

LAST ORDER FLUTED F3694059

EN

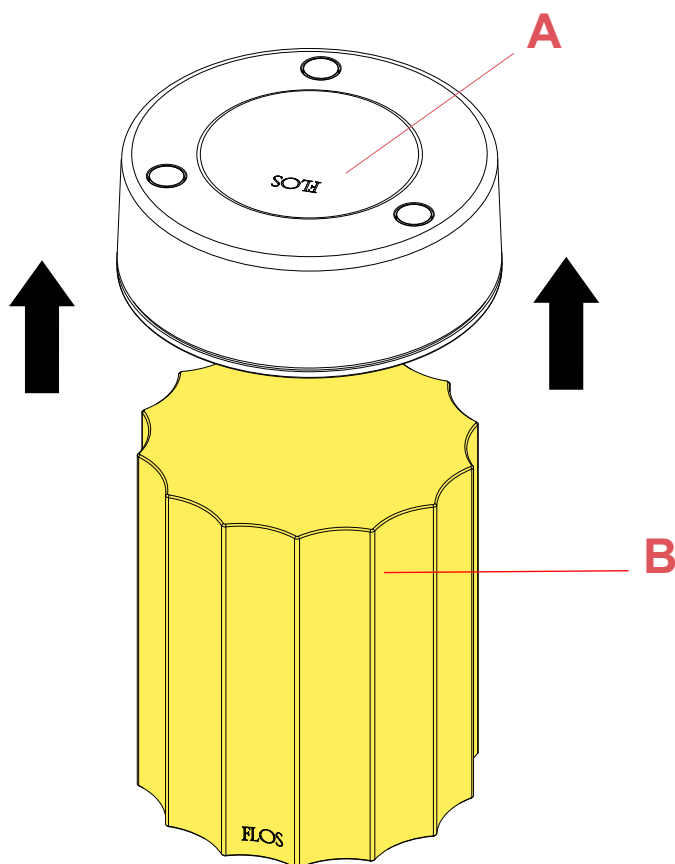
RF29125
CRYSTAL FLUTED BASE

Fig.1

Remove the crystal base (B) from the led body (A).
Assemble now the new spare part.

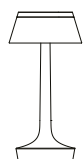
WARNING! When installing and whenever acting on the appliance, ensure that the power supply has been switched off.
For the installation of the spare-part, it is necessary to consult a qualified electrician.

LAST ORDER FLUTED F3694059

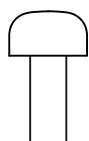
EN

RF1035109

POWER CHARGER WITH ELECTRICAL CABLE & PLUGS



Bon Jour
Unplugged
p.10



Bellhop
Battery
p.03



Last Order
Clear
p.09



Last Order
Fluted
p.09

WARNING! When installing and whenever acting on the appliance, ensure that the power supply has been switched off. For the installation of the spare-part, it is necessary to consult a qualified electrician.

RF1035109

POWER CHARGER WITH ELECTRICAL CABLE & PLUGS

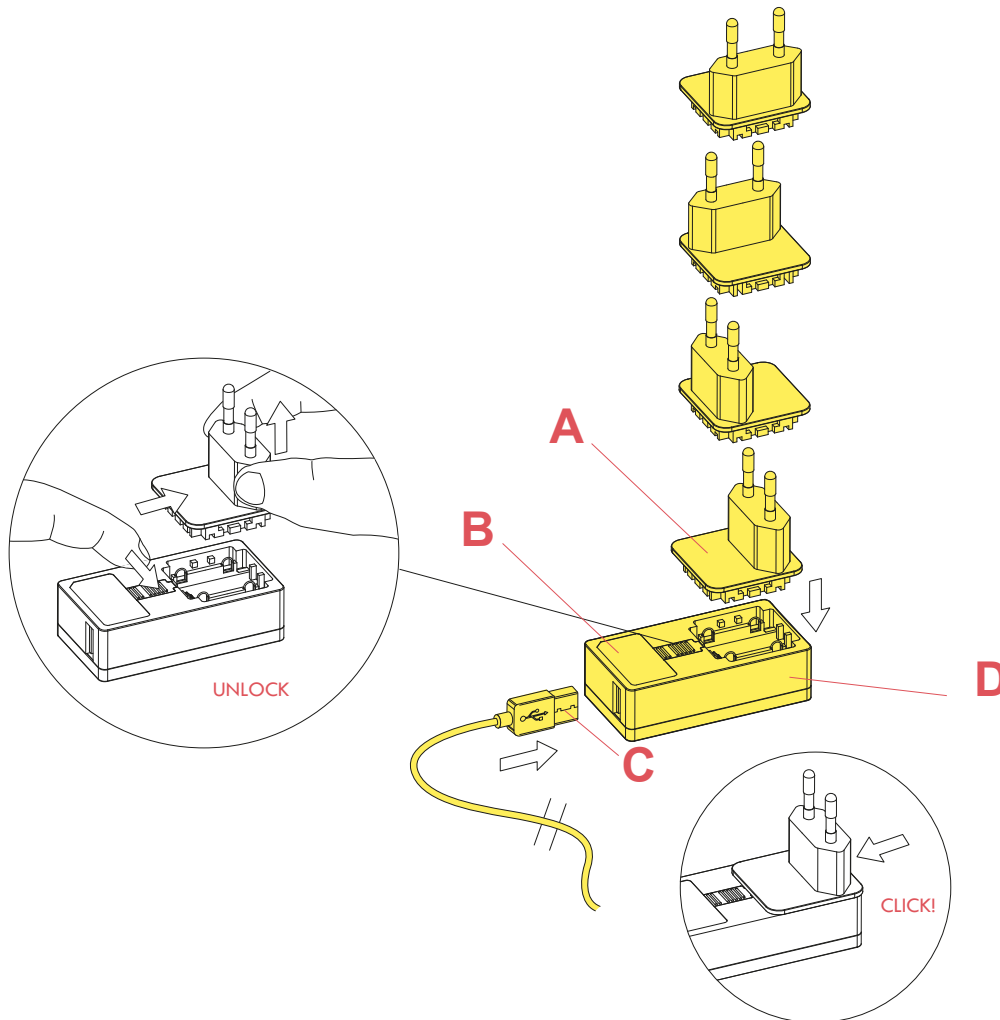


Fig.1

RECHARGING THE BATTERY. Insert the plug (G) in the power adaptor (H) in the preferred working position (the plug can be inserted in any side of the power adaptor block) until you hear the snap-in click (use the correct type of plug for the country the lamp is installed in); to remove the plug press the power adaptor's push button (I). Insert the USB plug (L) of the cable provided in its housing (M) on the power adaptor then insert the micro-USB plug (O) into the lamp's connector (P).

WARNING! When installing and whenever acting on the appliance, ensure that the power supply has been switched off. For the installation of the spare-part, it is necessary to consult a qualified electrician.