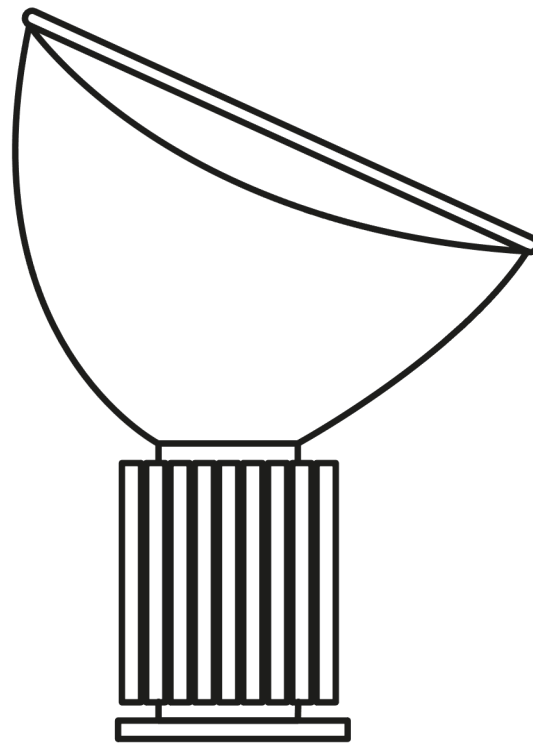


TACCIA LED

Designed by Achille & Pier Giacomo Castiglioni, 1962

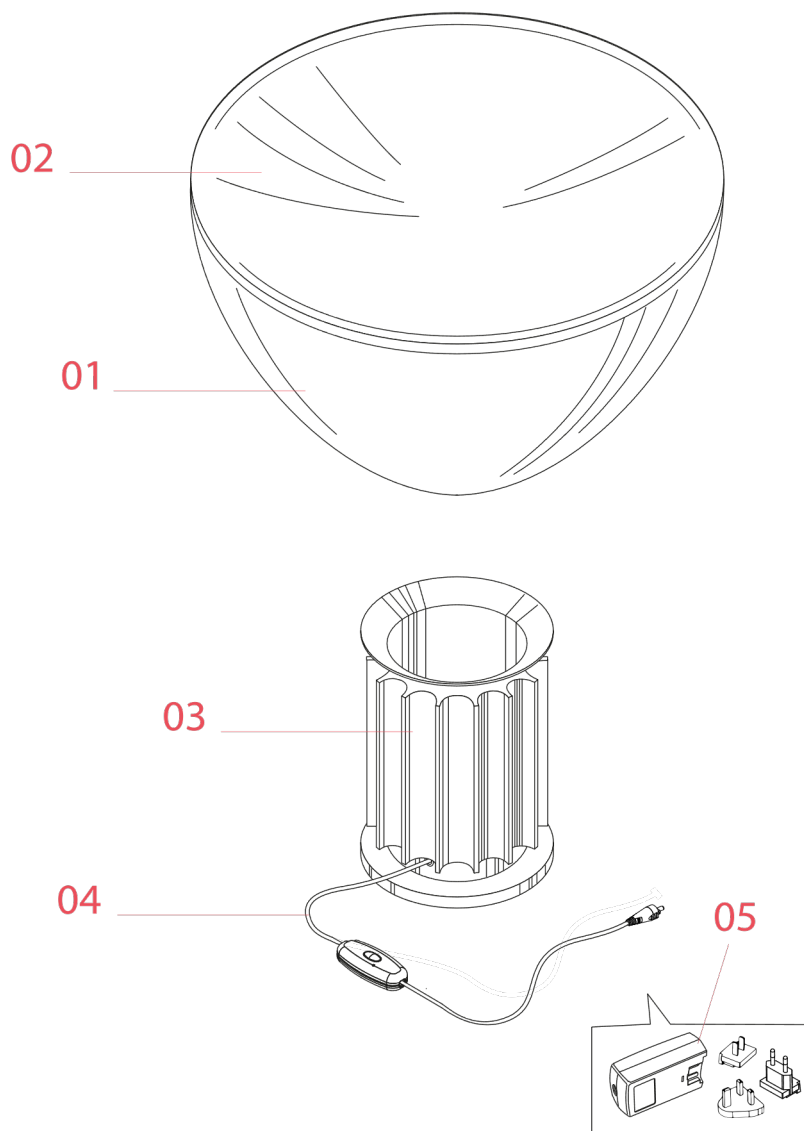
F6602004



TACCIA LED

F6602004

EN



- 01. F6510000 – Glass diffuser with reflector
- 02. RF00780 – White reflector
- 03. F6608004 – Anodized silver base
- 04. RF6608100 – Jack plug with cable and push dimmer
- 05. RF3320400 – Power supply unit with plug kit

TACCIA LED F6602004

EN

F6510000

GLASS DIFFUSER WITH REFLECTOR



WARNING! When installing and whenever acting on the appliance, ensure that the power supply has been switched off.
For the installation of the spare-part, it is necessary to consult a qualified electrician.

©2021 Flos - All rights reserved - www.flos.com
Flos reserves the right to introduce any changes to its own models, without prior notice.

TACCIA LED F6602004

EN

F6510000

GLASS DIFFUSER WITH REFLECTOR

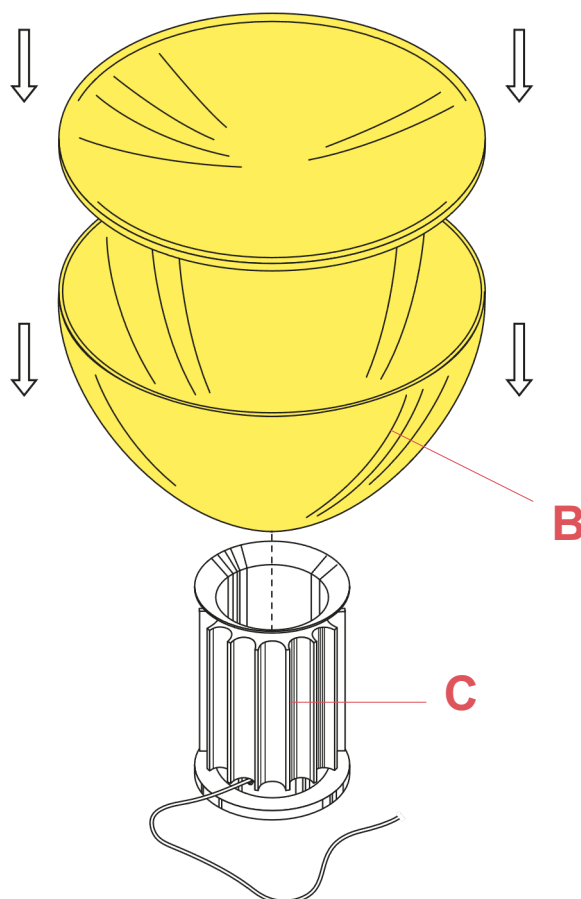


Fig.1

Position the diffuser (B) and the reflector (A) on the base (C).

WARNING! When installing and whenever acting on the appliance, ensure that the power supply has been switched off.
For the installation of the spare-part, it is necessary to consult a qualified electrician.

©2021 Flos - All rights reserved - www.flos.com
Flos reserves the right to introduce any changes to its own models, without prior notice.

TACCIA LED F6602004

EN

RF00780

WHITE REFLECTOR



WARNING! When installing and whenever acting on the appliance, ensure that the power supply has been switched off.
For the installation of the spare-part, it is necessary to consult a qualified electrician.

TACCIA LED F6602004

EN

RF00780

WHITE REFLECTOR

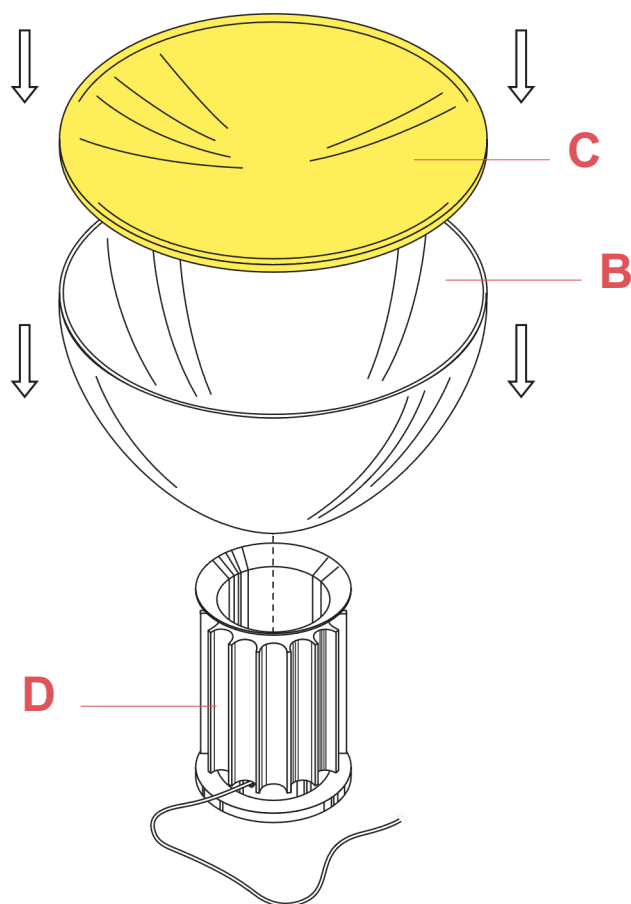


Fig.1

Position the reflector (C) on the diffuser (B).

WARNING! When installing and whenever acting on the appliance, ensure that the power supply has been switched off.
For the installation of the spare-part, it is necessary to consult a qualified electrician.

TACCIA LED F6602004

EN

F6608004

ANODIZED SILVER BASE



WARNING! When installing and whenever acting on the appliance, ensure that the power supply has been switched off.
For the installation of the spare-part, it is necessary to consult a qualified electrician.

TACCIA LED F6602004

EN

F6608004

ANODIZED SILVER BASE

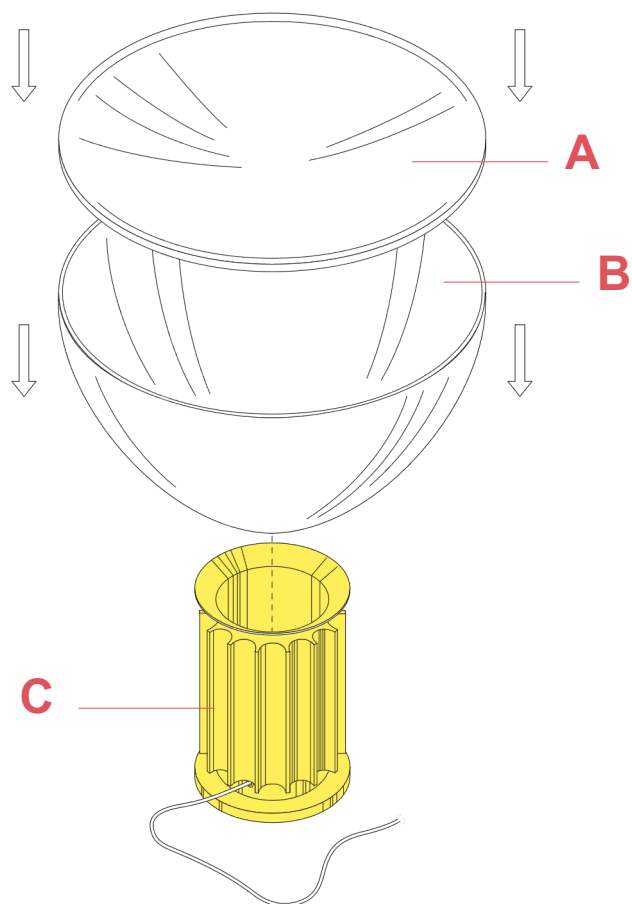


Fig.1

Position the diffuser (B) and the reflector (A) on the base (C).

WARNING! When installing and whenever acting on the appliance, ensure that the power supply has been switched off. For the installation of the spare-part, it is necessary to consult a qualified electrician.

TACCIA LED F6602004

EN

RF6608100

JACK PLUG WITH CABLE AND PUSH DIMMER



WARNING! When installing and whenever acting on the appliance, ensure that the power supply has been switched off.
For the installation of the spare-part, it is necessary to consult a qualified electrician.

©2021 Flos - All rights reserved - www.flos.com
Flos reserves the right to introduce any changes to its own models, without prior notice.

TACCIA LED F6602004

EN

RF6608100

JACK PLUG WITH CABLE AND PUSH DIMMER



Fig.1



Fig.2

Unfasten the 2 screws (A) from underneath the dimmer and remove the dimmer cover (B).

WARNING! When installing and whenever acting on the appliance, ensure that the power supply has been switched off. For the installation of the spare-part, it is necessary to consult a qualified electrician.

TACCIA LED F6602004

EN

RF6608100

JACK PLUG WITH CABLE AND PUSH DIMMER

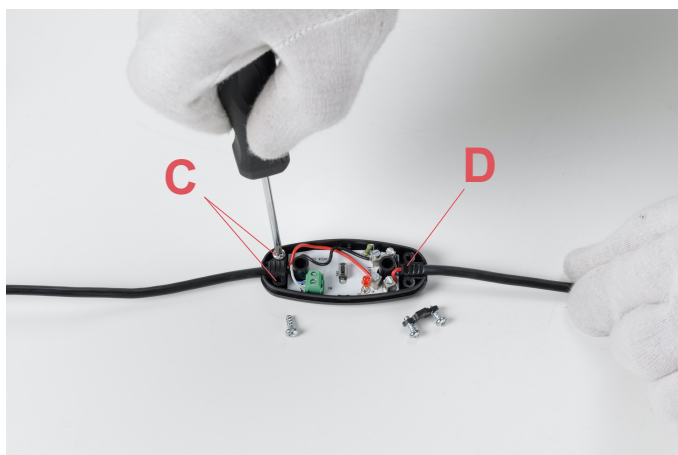


Fig.3

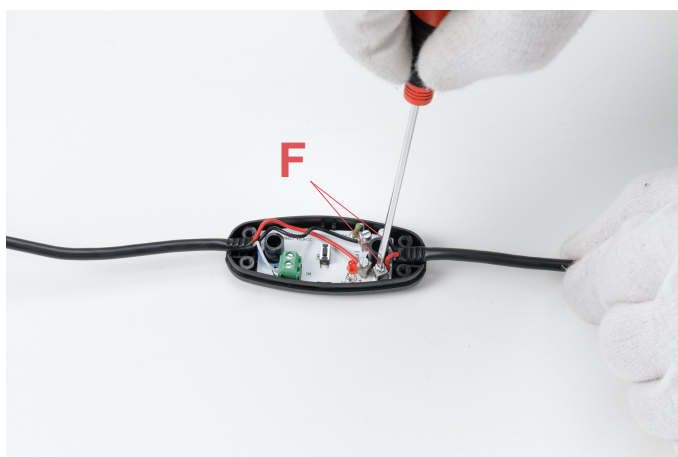


Fig.4

Unfasten the 2 screws (C) of the cable clamp (D) and disconnect the wires from the terminal box (F) through a tiny flat headed screw driver.

WARNING! When installing and whenever acting on the appliance, ensure that the power supply has been switched off. For the installation of the spare-part, it is necessary to consult a qualified electrician.

TACCIA LED F6602004

EN

RF6608100

JACK PLUG WITH CABLE AND PUSH DIMMER

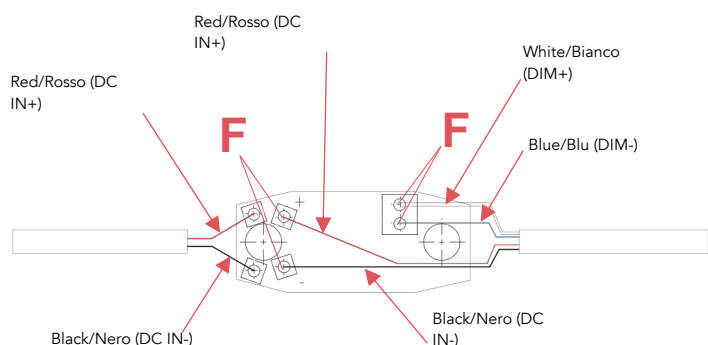


Fig.5

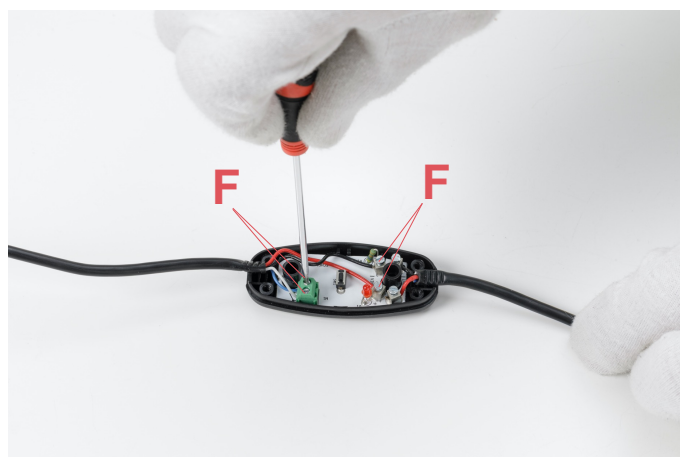


Fig.6

Connect the electrical wires to the terminal (F) respecting the polarities of the dimmer. Position the cable clamp (D) and fasten back the screws (C).

Close the dimmer by positioning the cover (B) and fastening the 2 screws (A)

WARNING! When installing and whenever acting on the appliance, ensure that the power supply has been switched off. For the installation of the spare-part, it is necessary to consult a qualified electrician.

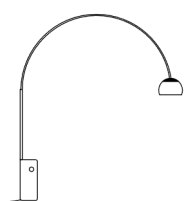
©2021 Flos - All rights reserved - www.flos.com
Flos reserves the right to introduce any changes to its own models, without prior notice.

TACCIA LED F6602004

EN

RF3320400

POWER SUPPLY UNIT WITH PLUG KIT



Arco Led
p.03



Bellhop
F
p.11



Captain
Flint
p.05



Coordinates F
p.14



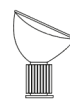
Noctambule
All Floor
Versions
p.15



Sawaru
p.03



Superloon
p.13



Taccia
Led
p.13

WARNING! When installing and whenever acting on the appliance, ensure that the power supply has been switched off. For the installation of the spare-part, it is necessary to consult a qualified electrician.

TACCIA LED F6602004

EN

RF3320400

POWER SUPPLY UNIT WITH PLUG KIT

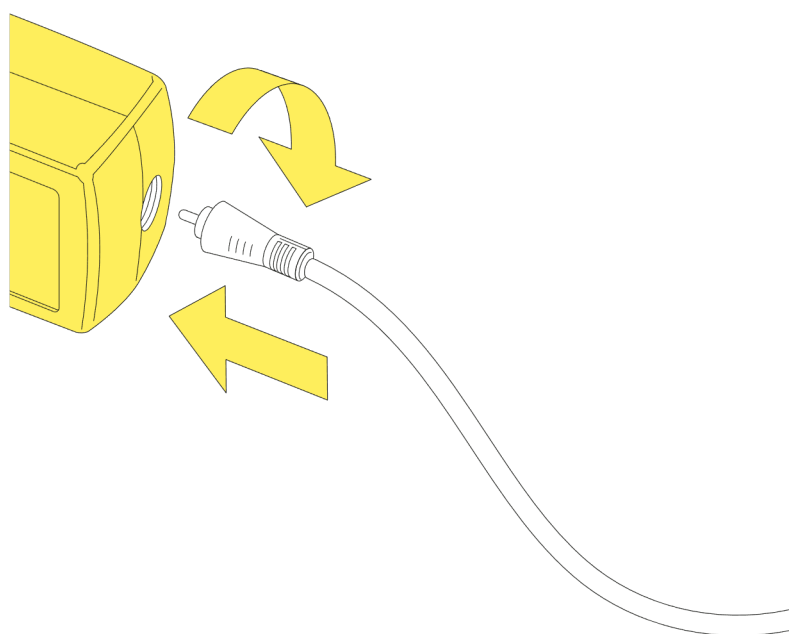


Fig.1

When installing and whenever acting on the appliance, ensure that the power supply has been switched off.

For the installation of the spare-part, it is necessary to consult a qualified electrician.

Insert the plug into the power unit. By using the guides, snap the plug inside its apposite slot (use the correct type of plug for the country in which the device must be installed).

WARNING! When installing and whenever acting on the appliance, ensure that the power supply has been switched off.
For the installation of the spare-part, it is necessary to consult a qualified electrician.