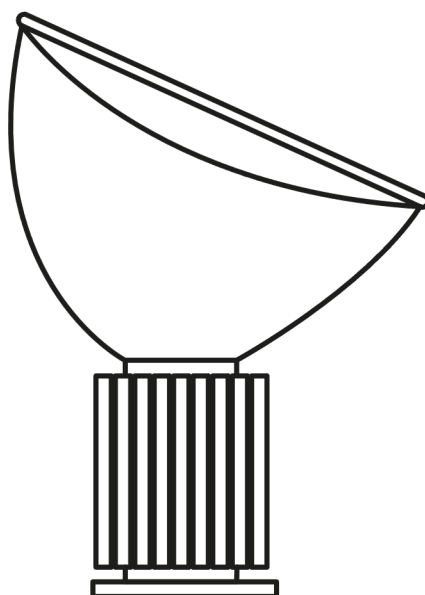


TACCIA SMALL

Designed by Achille and Pier Giacomo Castiglioni, 1962

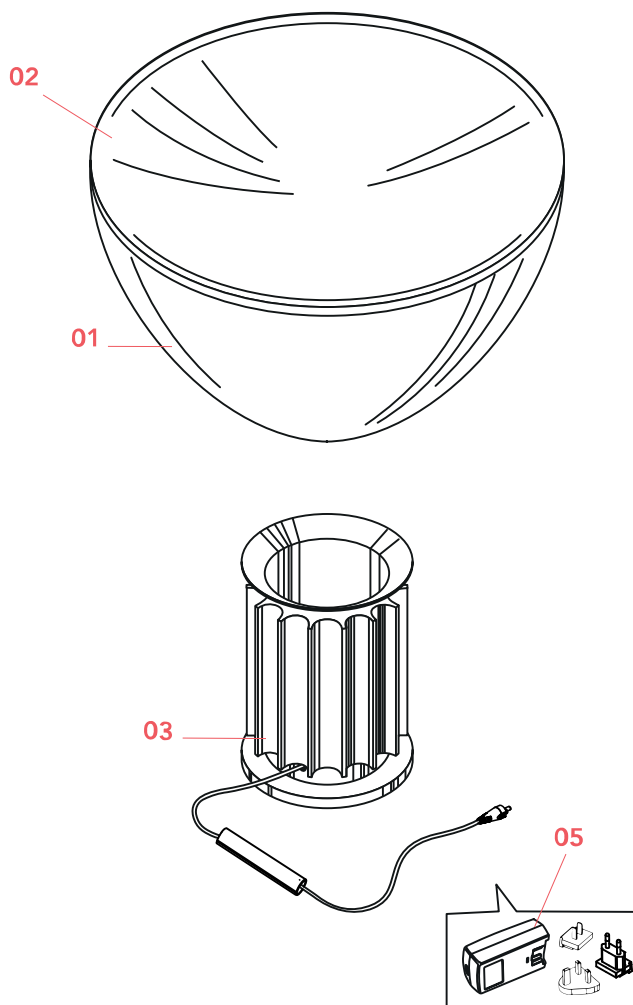
F6604004



TACCIA SMALL

F6604004

EN



- 01. F6606000 – Glass diffuser with reflector
- 02. RF24886 – White reflector
- 03. F6605004 – Anodized silver base
- 05. RF3320100 – Black Plug kit & driver

TACCIA SMALL F6604004

EN

F6606000

GLASS DIFFUSER AND REFLECTOR



WARNING! When installing and whenever acting on the appliance, ensure that the power supply has been switched off.
For the installation of the spare-part, it is necessary to consult a qualified electrician.

©2021 Flos - All rights reserved - www.flos.com
Flos reserves the right to introduce any changes to its own models, without prior notice.

TACCIA SMALL F6604004

EN

F6606000

GLASS DIFFUSER AND REFLECTOR

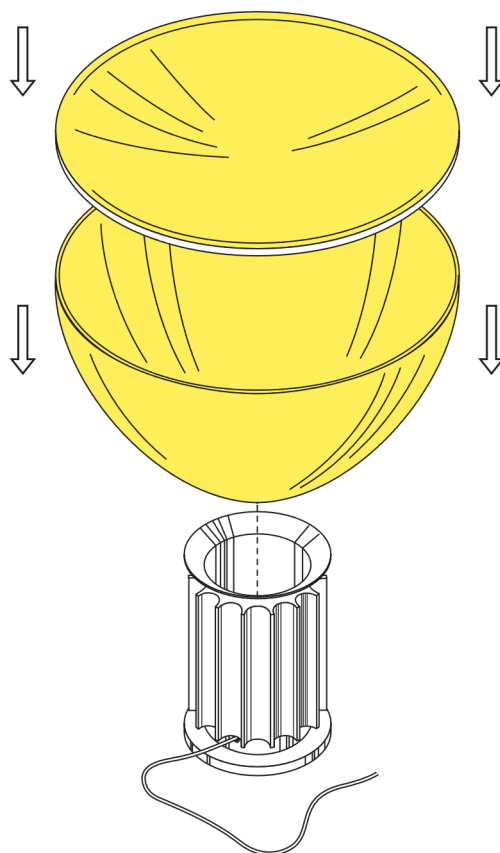


Fig.1

Position the diffuser (B) and the reflector (A) on the base (C).

WARNING! When installing and whenever acting on the appliance, ensure that the power supply has been switched off.
For the installation of the spare-part, it is necessary to consult a qualified electrician.

TACCIA SMALL F6604004

EN

RF24886

WHITE REFLECTOR



WARNING! When installing and whenever acting on the appliance, ensure that the power supply has been switched off.
For the installation of the spare-part, it is necessary to consult a qualified electrician.

©2021 Flos - All rights reserved - www.flos.com
Flos reserves the right to introduce any changes to its own models, without prior notice.

TACCIA SMALL F6604004

EN

RF24886

WHITE REFLECTOR

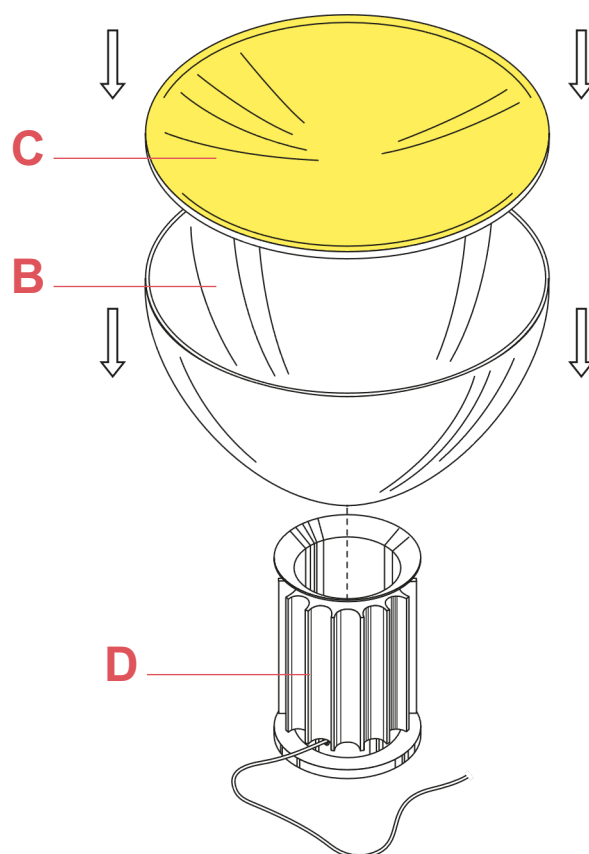


Fig.1

Position the reflector (C) on the diffuser (B).

WARNING! When installing and whenever acting on the appliance, ensure that the power supply has been switched off.
For the installation of the spare-part, it is necessary to consult a qualified electrician.

TACCIA SMALL F6604004

EN

F6605004

TACCIA SMALL LED BASE



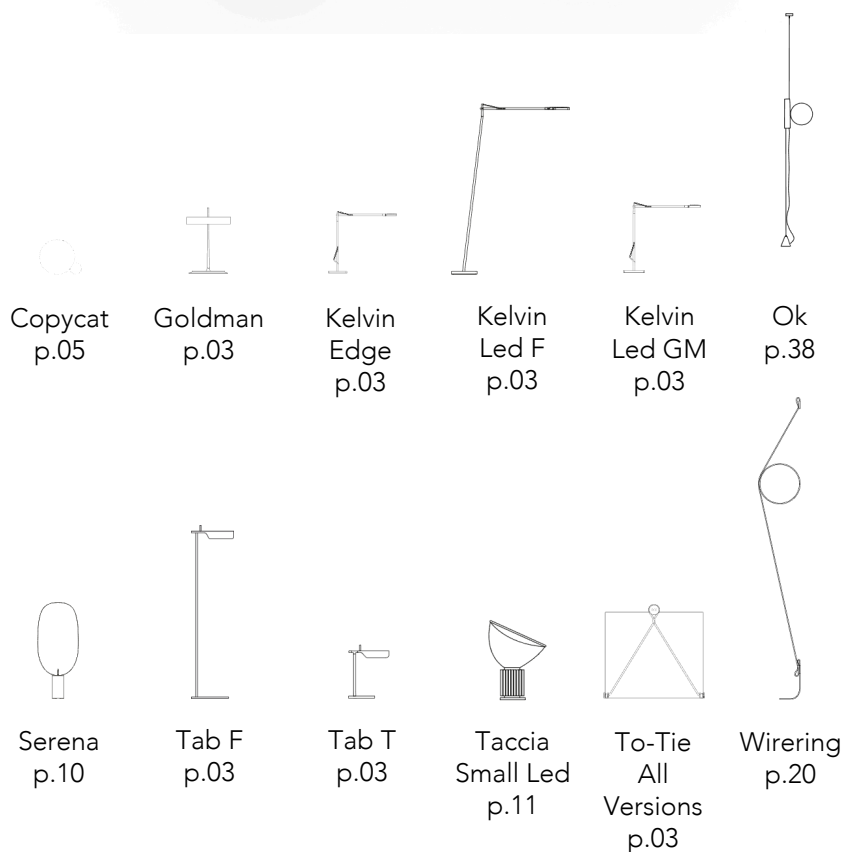
WARNING! When installing and whenever acting on the appliance, ensure that the power supply has been switched off. For the installation of the spare-part, it is necessary to consult a qualified electrician.

TACCIA SMALL F6604004

EN

RF3320100

PLUG KIT + DRIVER SPARE PART



WARNING! When installing and whenever acting on the appliance, ensure that the power supply has been switched off. For the installation of the spare-part, it is necessary to consult a qualified electrician.

TACCIA SMALL F6604004

EN

RF3320100

PLUG KIT + DRIVER SPARE PART

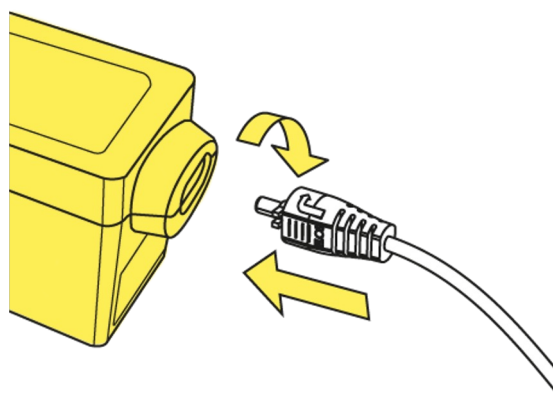


Fig.1

Insert the plug into the driver unit by using the guides snap it inside its apposite slot (use the correct type of plug for the area in which the device must be installed), connect the plug to the feeder unit locking it in by rotating it 90° clockwise.

WARNING! When installing and whenever acting on the appliance, ensure that the power supply has been switched off.
For the installation of the spare-part, it is necessary to consult a qualified electrician.